



Dal 1956

ENTHUSIASM, CREATIVITY, JOY

We enthusiastically welcome the challenge of global competition as we can rely on the certainty of our know-how and on the power of OTLAV automation.

Now inventing, creating, producing and selling are the joyful principles that stem from our new powerful position.

Fabio Padovan



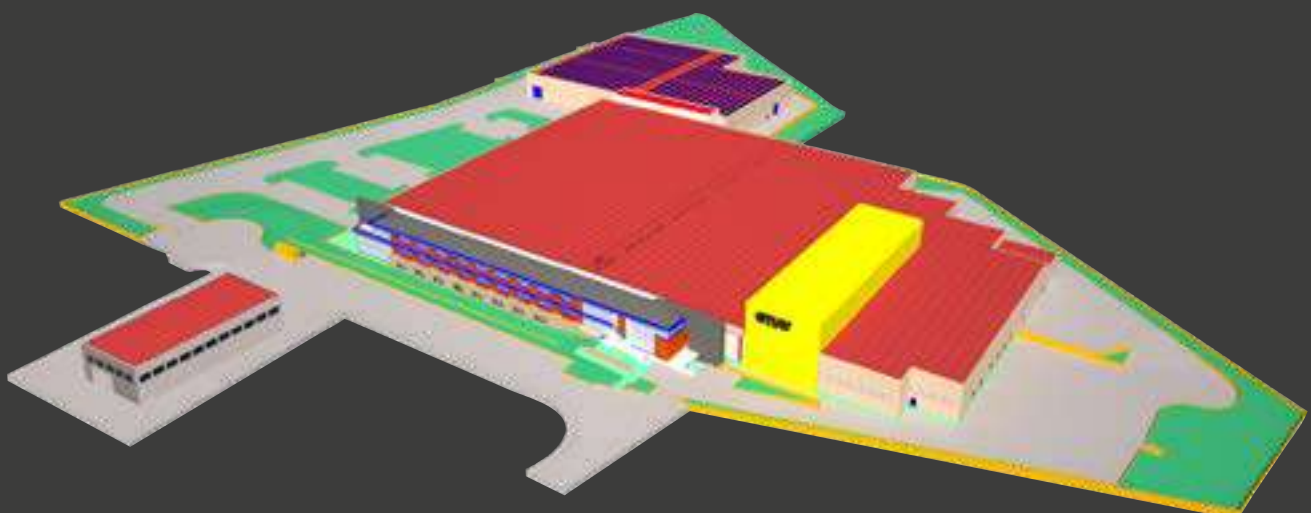
OTLAV S.p.A produces and sells hinges for doors and windows and other accessories for frames. **Founded in 1956 by entrepreneur Angelo Padovan, Otlav has produced more than 2,2 billion of hinges since 1956.**

With more than 100 registered patents, Otlav ensures high quality standards and **is present with its wide range of products in over 80 countries worldwide.**

In 2007 the current production site was inaugurated in Santa Lucia di Piave, built with excellent technologies and cutting-edge operational tools. It's a jewel of automation and allows to reduce the management and production costs, reason why it is frequently visited by technicians from all over the world.

Basing on these investments Otlav has intensified its two main features:

- Continued investment in cutting-edge technology and production machinery.
- Complete autonomy and self-responsibility in the whole production chain, which is property of Otlav.





For the transportation of all necessary material, "OAMH" makes use of special automatic trolleys designed and built specifically for OTLAV, called **LGV (Laser Guided Vehicle)**. These trolleys transport and distribute the necessary materials to individual machinery for seamless working in a completely automatic way. Speed, safety and precision.



"OAMH" "Otlav Automatic Material Handling" is a project developed after five years of research and studies all around the world; a technological jewel created by designing at first the best logistical location, and then a subsequent lay out, and eventually the container to cover these structures: an unmistakable technological masterpiece, which is 20 meters high.



Rationalization of space, optimization of logistics and exploitation of integrated automation: all of these account for respectively the flow or transportation of materials and the streaming of information.

The goal is to cut costs by rendering the hinges increasingly competitive with an unparalleled level of quality.

The means through which this goal is achieved is by the implementation of a complex automated system from the instant when the raw material enters the factory to the exit of the finished product, without any sort of interference from the outside.



In 2021, due to the continuous increase in demand and the need to store large quantities of raw materials, a building next to the production site was purchased; expansion works have also begun and will end in 2023.

(In the photo the expansion works -19 October 2022)

CATALOGUE

We have compiled this list in order to help our customers as much as possible when they are making out their orders, to eliminate the possibility of mistakes and subsequently, to shorten the delivery times of our products.

The codes of all the articles available in the OTLAV warehouse are listed clearly and precisely and each code refers to a single article.

For example, there is a code for the complete hinge (code CI), the male part (code CG) and the female part (code CF), or the hinge cap (code GC). In each case, the product is described in detail, with code, type, finishing, packaging and price.

The price is given in Euros and the price in bold type is the sum of the prices that make up a hinge, i.e. the price of the male part (code CG) plus the price of the female part (code CF), or the price of a complete hinge (code CI). Important: We recommend you to pay the utmost attention when using this List, especially in the initial stages, because **ONLY COMPLETE, EXACT CODES ARE CONSIDERED VALID**, in order to avoid regrettable hitches.

This price list can undergo products and prices modifications without notice, for updating refer exclusively to the online price list published on website www.otlav.com.

Further information regarding OTLAV products, such as quality reports, tests and others, is available on the website: www.otlav.com.

CODE STRUCTURE

AA BBB CCC DD EE

The ordering code has been prepared using the following method:

AA = GROUP

- AI = door alignment device,
- CE = bush,
- CF = female part,
- CG = male part,
- CI = complete hinge,
- CR = pintle,
- FP = pivot,
- GC = cap,
- IN = concealed hinge,
- JC JR = fixing plate,
- LC = flushbolts,
- MA = complete tools box,
- MC = jig,
- NP = plate,
- NT = bolt hinge,
- RO = washer,
- TE = head,
- TO = hole cover,
- TP = door closer.

BBB = MODEL

CCC = DIAMETER or REFERENCE SIZE (hinges = diameter; bolts = length). For tools, it indicates the diameter of the article for which they have been made. It is specified in teens of millimeter: for example Ø13 = 130.

DD = SURFACE FINISHING of the particular product.

EE = PROCEEDING NUMBER which identify the article.

NB: OTLAV may not be held responsible for any errors that occur due to an incomplete, absent or incorrect article code during the dispatching of orders.

TESTS	8	057 Ø13	87	TOOLS	147
FINISHING	12	057 Ø14	87	MA 700	148
INVISACTA	15	P58 Ø14	88	MA 701	149
INVISACTA IN230	16	070 Ø13	89	MA 703	153
INVISACTA IN235	17	075 Ø13	89	MA 801	154
INVISACTA IN300	18	085 Ø13	90	MC 701	154
INVISACTA IN303	19	133 Ø16	91	MC 703	157
INVISACTA IN305	20	190 Ø13	92	MC 710	159
INVISACTA IN310	21	190 Ø14	93	MC 711	160
INVISACTA IN570	22	190 Ø16	94	MC 712	160
335 Ø15	23	300 Ø13	96	MC 713	161
AI 230	24	300 Ø14	96	MC 714	162
AI 300	24	320 Ø15	97	TRIMK	163
GC 230	25	320 Ø16	97	MU 803	163
GC 300	25	320 Ø18	98	MU 8	165
JC 522	26	320 Ø20	99	MR A	166
MU 800	26	NT 021	100	CAPS	167
MU INV AL	27	508 Ø11	101	815 Ø17,5	168
MU INV ABS	27	517 Ø14	102	826 Ø14	168
NP 120	28	PINTLES	103	818 Ø15	169
PP 105	30	CE 014 Ø14	103	836 Ø16	169
TP230	30	CE 030 Ø16	104	838 Ø14	170
PVC	31	ADJUSTABLE HINGES	105	838 Ø15	170
P09 Ø13	32	NORDEX	106	838 Ø16	171
P36 Ø13	33	POMELLAS	107	838 Ø17	173
P38 Ø13	34	488 Ø16	109	838 Ø18	175
P50 Ø15	36	491 Ø14	110	838 Ø19	176
TRIXACTA	39	EXACTA	130	838 Ø22	176
MIXACTA 2D	41	URSUS	121	839 Ø16	177
BIXACTA	44	475 Ø18	124	839 Ø18	178
MIXACTA 3D	49	Hinges for METAL profiles	125	839 Ø22	178
URSUS PVC	51	031 Ø16	126	844 Ø14	179
ROLLACTA	53	095 Ø14	127	846 Ø15	179
STAINLESS STEEL Hinges	59	102 Ø15	127	846 Ø17	180
101 Ø15	60	320 Ø18	128	847 Ø14	180
335 Ø15	61	335 Ø15	129	847 Ø15	181
355 Ø13	62	EXACTA	130	849 Ø14	181
355 Ø14	62	750 Ø18	131	849 Ø15	182
EXACTA	63	Hinges for FURNITURE	133	858 Ø15	182
P50 Ø15	64	530 Ø9	134	FLUSHBOLTS	183
DIN-NORM		530 Ø11	134	LC 260 160	184
Hinges for German profiles	65	605 Ø9	135	LC 260 200	185
100 Ø15	66	605 Ø11	136	LC 260 250	185
101 Ø15	67	ACCESSORIES	137	LC 260 300	186
102 Ø15	68	AI 598	138	NP 040	186
335 Ø15	69	CERNIPANNI	138	GENERAL CONDITIONS OF SALE	187
341 Ø15	72	JR 512	139		
343 Ø15	72	JR 513	139		
FP 096 Ø8	76	JR 519	140		
Hinges for WOOD	77	JR 520	141		
030 Ø13	78	JR 521	141		
030 Ø14	79	JR 523	142		
030 Ø16	79	PP 0070	142		
031 Ø16	80	PP 105	143		
050 Ø13	81	RO 720	143		
055 Ø13	82	SD 040	145		
055 Ø14	83	TP 990	146		
055 Ø16	86				

OTLAV TESTS

Hinge carrying capacity

As required by European regulations and by Regulation (EU) No. 305/2011 **all OTLAV hinges are subjected to stringent resistance tests to check performance both during the design phase and regularly during manufacturing.**

The I.U.S. (Intensive Use Simulator) is the testing system used in the OTLAV Test Laboratories.

It consists of a rigid structure made up of uprights and crosspieces to which the door or window being tested is fixed and by integrated automated systems that simulate the movement of the door/window during normal use. The special configuration of the I.U.S. faithfully reproduces the fixing of the door/window to the support it is intended for. It is also able to recreate extreme situations helping to considerably increase safety margins.

The hinges are subjected to different types of tests as envisaged by the harmonized standard UNI EN 1935/2004 and by standard 14648/2008:

- Test for resistance to wear.
- Test for loading and overloading.
- Test for resistance to extraction (of the pin from the support to which it has been fixed).
- Test for resistance to torsion.
- Test for resistance to bending.
- Test for resistance to mishandling such as breaking down the door (British Standard Institute, PAS 23/1,1999) and RAL tests.

A number of digital and analogue measuring instruments assembled on the I.U.S and connected to computerized data capturing devices, measure in real time the following significant values during the tests: deformation, movements, load capacity variations, number of cycles.

Constant visual and acoustic checks are also carried out to detect any anomalies not registered by the instruments, for example such as powder due to mechanical wear or creaking. The I.U.S. can test windows or doors up to 250x150 cm and weighing more than 250 Kg.

EC Certificates and Performance Declarations

Tests on the hinges are also carried out at external bodies able to certify that the company manufactures according to rigid, systematically monitored production plans and that the products pass the tests envisaged by the standard UNI EN 1935:2004 they are thereby able to issue, if needed, the EC certificate or certify the data provided by OTLAV in the "performance declarations".



View of the OTLAV test laboratories I.U.S. (Intensive Use Simulator)



Test for resistance to extraction



Test for resistance to wear



Test for resistance to water and wind (in external laboratories)



Test for resistance to wear (detail)



Test for resistance to fire (in external laboratories)



Test for resistance to wear, OTLAV I.U.S.



trasferimento tecnologico e innovazione

OTLAV TESTS

Hinge carrying capacity

More than 65 years of technical experience in door and window hinges is a remarkable achievement, but the day-to-day challenge is the constant search for new findings demonstrating improvements in performance, safety and appearance.

Resistance, carrying capacity and reliability contained in a harmonious design, even if concealed, are the achievements reached and maintained over time by all the OTLAV models.

The hinge, initially comprised of a body and a threaded pin welded together to form the male and female parts, has been improved over time through different models with plates, pins and screws leading to **highly sophisticated models adjustable on 3 axes**.

Now thanks to constant research and checks over manufacturing, **we have developed hinges which can support more than the maximum capacity indicated by the Standard UNI EN 1935:2002:**

- 200,000 cycles (opening and closing);
- door mass of 160 kg;
- overload stress for safety levels up to 480 kg. on door systems.

When a hinge offers enormous potential, the choice of the model and number of hinges used must be evaluated considering other factors which improve conditions of use in addition to the indications in the Standard UNI EN 1935:2002 which suggests a minimum of 3 hinges for each door based on its mass.

The dimensions of the door/window, material used, thickness and anchorage points subject to requirements are all exclusive choices of our customers based on their experience. The performance levels declared by OTLAV provide good information to identify the hinges based on both the conditions of use and of the location of the door/window (public or private places, schools or offices, hotels or homes etc.) and the levels of care during use.

The load capacity of the hinges is declared by OTLAV on the basis of the tests necessary to obtain CE certification (UNI EN 1935: 2002 standard for single-axis hinges, European Assessment Document EAD-020001-01-0405 for multi-axis hinges), if Otlav declares more than 160 kg. (the maximum required by law), the declaration is made on the basis of the durability test of 200,000 cycles.

i NOTE

The weight of the door/window which can be supported by a hinge depends on many factors:

1. dimensions of the shutter;
2. number of hinges;
3. positioning of the hinges;
4. type and quality of material used for the door/window;
5. accuracy, precision and experience when mounting the door/window to ensure the hinges are perfectly aligned;
6. distance of the male part from the frame must not be more than 6 mm;
7. thickness of the door/window material at the anchorage point.

Our technicians are available for support and any clarification required.

LOAD CAPACITY TABLE

Hinges for doors up to 80 kg. - door mass class 4

Door height mm.	400	600	800	900	1000	1050	1100	1150	1200	1250	1300
2400	4	4	4	4	5	5	5	5	5	3	3
2300	3	3	3	4	4	5	5	5	3	3	3
2200	3	3	3	3	4	4	4	3	3	3	3
2100	3	3	3	3	3	4	3	3	3	3	3
2000	3	3	3	3	3	3	3	3	3	3	3
1900	3	3	3	3	3	3	3	3	3	3	3
1800	3	3	3	3	3	3	3	3	3	3	3
1200	3	3	3	3	3	3	3	3	3	3	3
800	3	3	3	3	3	3	3	3	3	3	3
400	3	3	3	3	3	3	3	3	3	3	3

- X Suggested number of hinges
- 3 Switch to a hinge of one higher class, use 3 hinges.
- 3 Switch to a hinge of two higher class, use 3 hinges.

Tables showing the number of hinges to use depending on the hinge model, the width and height of the door/window, can be accessed in our website: www.otlav.com

OTLAV TESTS

How to read the labels



Example of a label placed on a box of Otlav products.

- 1) Product code.
- 2) Product description.
- 3) Number of pieces contained in the box.
- 4) Weight of box.
- 5) References to standards, accredited institution and EC certificate number.

6) 8-digit coding system on performance.

- 7) Concise drawing of the product.
- 8) Manufacturing batch

To aid understanding of the performance requirements shown in the labels on Otlav products, as per Standard UNI EN 1935:2002, we have provided below a summary of the evaluation criteria shown in the 8-digit coding system (see point 6 of the label above):

4	7	5	1	1	5	0	12
digit 1	digit 2	digit 3	digit 4	digit 5	digit 6	digit 7	digit 8

Digit 1 – Category of use.

- *Grade 1 - light use:* hinges used on doors or windows in homes or in other residential areas and in buildings where there is a low frequency of use by people highly incentivized to take care and with a low probability of accidents or incorrect use.
- *Grade 2 - medium use:* hinges used on doors in homes or in other residential areas and other buildings where there is an average frequency of use by people fairly incentivized to take care and with a slight probability of accidents or incorrect use.
- *Grade 3 - heavy use:* hinges used on doors in buildings where there is a high frequency of use by the public or by other people with little incentive to take care and with a high probability of accidents or incorrect use.
- *Grade 4 - severe use* (digit 8: grades 12, 13 and 14): hinges used on doors subjected to frequent and violent use.

Testing methods.

The tests to evaluate the required performance levels have been carried out on two hinges fixed to rigid testing equipment or a single hinge subjected to vertical load testing.

Digit 2 - Durability.

- Grade 3 = 10,000 cycles
- Grade 4 = 25,000 cycles
- Grade 7 = 200,000 cycles

The hinged item is rotated, simulating opening and closing of the door by 90 degrees for the number of cycles required by the grade being tested. Via this test, it is verified that by the end of the test, the wear of the hinge does not damage the functionality of the hinge.

At the end of the test, the vertical and horizontal deviations of the door must remain within the required limits.

Digit 3 - Door mass.

It's the weight of the door on which the hinge to be tested is mounted.

- Grade 0: 10 kg
- Grade 1: 20 kg
- Grade 2: 40 kg
- Grade 3: 60 kg
- Grade 4: 80 kg
- Grade 5: 100 kg
- Grade 6: 120 kg
- Grade 7: 160 kg

Digit 4 - Suitability for use on fire rated or smoke rated doors.

- Grade 0: no.
- Grade 1: yes.

The door is tested to determine if the material is able to endure fire (see Appendix B of Standard EN 1935:2002 for the additional requirements).

Digit 5 - Safety.

Grade 1: the hinge satisfies the essential requirements of safety in use.

Load deformation test: a load equal to the door mass is applied: the deformations recorded during and after the load must remain within certain specified limits and there must be no change in the functional performance. Incorrect use of a door over a short time period is reproduced via this test.

Overload test: a load twice the door mass being tested is applied: the hinges and the door must not present any deformation or breakage and the door must not drop even if the hinge no longer works. An exceptionally negative event is reproduced via this test.

Shear load test: this test is carried out separately on a three pins hinge (not mounted on a door). The central part of the hinge (bushing) is loaded with a predetermined weight as per a table. This test is made to verify that the central pin does not sustain any deformations which can damage the functionality of the hinge.

Digit 6 - Corrosion resistance.

The level of corrosion resistance is defined via a salt spray test according to Standard ISO 9227 and evaluated according to Standard EN 1670. The Salt Spray test is carried out on samples corroded by a saline solution in a special test cabinet. The time necessary for the onset of oxidation establishes the grade of resistance from 0 to 5.

See following pages.

Digit 7 - Resistance to burglary.

- Grade 0: No.
- Grade 1: Yes. Hinges are suitable for use on doors requiring a degree of security.

Digit 8 - Hinge grade.

Overall rating for the hinge (in ascending order from 1 to 14).

OTLAV TESTS

Resistance of finishing

Formation of rust on steel is a natural and inevitable chemical phenomenon which occurs regardless of the location and the conditions. The longer the start is delayed, the more the functionality and appearance of the door/window is guaranteed. The propensity of steel to corrode can be reduced by adopting measures to protect it, based on external coatings or finishing which tend to isolate it from aggressive atmospheric conditions. Correct use of a hinge must therefore take into account the location in which it will be used and resistance of the finishing to rusting. When using hinges in a protected environment or in mild and stable environmental conditions it is possible to choose from a wide range of finishing. When using hinges in an aggressive environment we recommend choosing from those with corrosion resistant finishing used together with OTLAV caps.

At Myrtus, the galvanic treatment company of OTLAV Group, all the finishes are subjected to a specific resistance test.

The salt spray test, carried out according to the UNI regulations detailed below, is an accelerated corrosion test which enables the resistance to corrosion of a material or a coating to be evaluated qualitatively. The sample to be examined is placed inside a test chamber at a constant temperature, humidity and pressure: inside the chamber a saline solution is atomized which then attacks the protective coating of the hinge. At predetermined intervals the samples are observed and any changes are registered up until the appearance of traces of oxidation or spots of red rust.

There is no direct relation between the resistance to salt spray and the life of hinges exposed to atmospheric agents in different environments: therefore this test must be considered as a comparative or indicative method of relative quality (not an absolute figure).



OTLAV is also environmental friendly oriented having the **"Infinitely Recyclable" certification (Myrtus was the first company in Italy to obtain the certification)**, which acknowledges metal products which can be smelted and recreated an infinite number of times, without giving rise to waste products or other harmful elements for the ecosystem.

Salt spray chamber:

Angelantoni ACS mod. DCTC600

Test carried out according to regulations:

UNI-ISO 9227 type NSS SS DIN 50021 ASTM B 117 SIS 184190 NFX 41-002

Salt concentration:

5% +/- 0,5%

Collected volume:

1,5 cc hour - Mass 1033 Kg/m³ - pH 6,9

Chamber temperature:

35 °C +/- 1 °C

Pressure:

1,5 bar

Samples are arranged in a radial pattern on the test specimen holder



Salt spray chamber: Angelantoni ACS mod. DCTC600.

i NOTE!

Especially hostile areas and agents and inappropriate conduct can accelerate the decline of steel even if treated:

- 1) salts or acids and other oxidizing agents present in the air and especially concentrated in marine areas, in livestock shelters and in urban areas are aggressive factors;
- 2) the same degree of corrosion can be found in rooms or work sites poorly ventilated, in which chemical treatments such as painting or finishing of floors have been carried out;
- 3) high humidity and repeated temperature changes typical of rooms or places not lived in are a certain cause of the onset of oxidation;
- 4) incorrect storage, handling without care or cleaning of the product with corrosive or abrasive products can damage the aesthetic and structural integrity of the product even before mounting it.

FINISHING

Finishing Description CLASS*

Finishing with high resistance to corrosion (class 5)

H0	Zinc Nickel 7 μ	5	IM	Matt Stainless Steel	5
-----------	---------------------	---	-----------	----------------------	---

Finishing on aluminium

J1	Satinized Silver	4	JC	Satinized Nickel Aluminium	4	JT	Satinized Nickel Aluminium	4
J2	Satinized Nickel Plated	4	JL	Silver Aluminium	4	JZ	Bronze Aluminium	4
J7	Satinized Silver Aluminium	4	JO	Gold Aluminium	4	9R	Bronze Plated	4
JA	Blue Satinized Nickel Aluminium	4						

Finishing on nylon

Y2	Black Nylon	4	Y8	Dark Brown Nylon	4	YD	Brown Nylon	4
Y3	White Nylon (Ral 9010)	4	YA	Gold Nylon	4	YS	Matt Chrome Plated Nylon	4
Y5	Blue White Nylon	4	YB	Chrome Nylon	4	V8	Polished Gold	4
Y6	White Nylon (Ral 9016)	4	YC	Matt Nickel Plated Nylon	4	VZ	Bronze Plated	4

Finishing on brass

BN	Bronze Plated	1	GO	Natural	0	L1	Polished Varnished	2
PG	Old Silver	4	H3	Black Engraved Zinc Plated	1			

* Resistance class

The destined use indicated in the table refers to the grade of resistance to corrosion in salt spray (NSS type) as envisaged by standard UNI EN 1670 2007 (sixth figure according to UNI EN 1935).

Resistance class	Description	Life
0	Resistance to corrosion not defined.	<24h
1	Low resistance to corrosion, use in internal dry environments (i.e. internal doors to living areas).	24h
2	Moderate resistance to corrosion, use in internal areas that may have humidity (i.e. internal doors in basements or bathrooms).	48h
3	High resistance to corrosion, use in external protected areas (i.e. protected main external doors).	96h
4	Very high resistance to corrosion, use in external areas (i.e. unprotected main external doors).	240h
5	Exceptional resistance to corrosion, use in external areas with corrosive environmental conditions (i.e. external doors/windows in maritime areas or livestock shelters).	>480h

FINISHING

Finishing	Description	CLASS*
-----------	-------------	--------

Plastified finishing

P0	Brown	4	PI	White (Ral 9016)	4	9N	Matt Black	4
P2	Black	4	PK	Bronze	4	9P	Matt White (Ral 9016)	4
P3	White (Ral 9010)	4	PU	Clay Brown (Ral 8003)	4			
P9	Grey (Ral 7035)	4	9F	Grey	4			

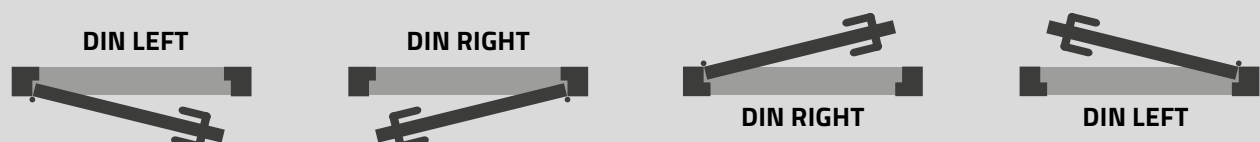
Finishing on steel and zamak

B1	Special Bronze Plated	1	H8	Old Zinc Plated	1	R0	Burnished	0
BN	Bronze Plated	1	K1	Polished Gold	2	T1	Satinized Chrome Plated	3
B0	Bronze Plated for Zamak	1	NO	Nickel Plated	1	V7	Satinized Silver	4
G2	Varnished Phosphatized	1	N1	Static Nickel Plated	1	VD	Chrome Plated	3
H0	Zinc Plated	1	N4	Matt Nickel Plated	1	VN	Satinized Nickel Plated	4
H2	Black Varnished Zinc Plated	3	N7	Satinized Nickel Plated	2	VO	Polished Gold	2
H3	Black Engraved Zinc Plated	1	NN	Nickel Plated	1	8H	Super Zinc Plated	3
H5	Zinc Plated 12 μ	2	00	Brass Plated	1			

Definition

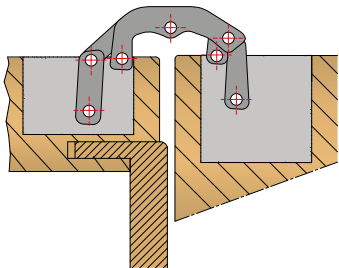
DIN right and DIN left

A hinge is **DIN right** when pulling the door, it is placed on the right side and **DIN left** when pulling the door it is placed on the left side of the door.



INVISACTA

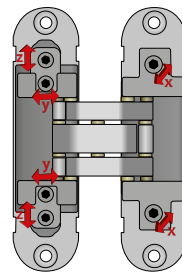
HINGES FOR FLUSH DOOR



7 JUNCTION FULCRUMS

No sliding wear

7 fulcrum points allow little friction, good flow, solidity and high loading capacity; no contact between the different bearing units thanks to nylon bushes with high friction resistance.

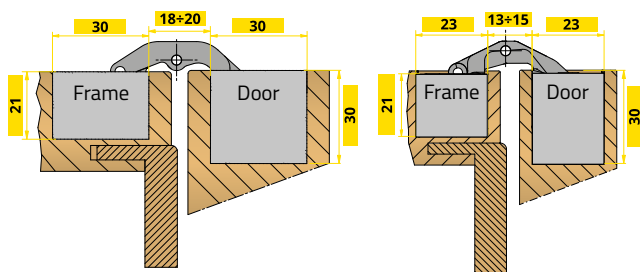


3 ADJUSTMENTS

With only one hex spanner

The clamping screws, placed in the outer casings, are not used for hinge adjustment, therefore they remain stable for a long time.

IN570, IN310, IN303, IN300, IN305, IN230 and IN235 models



MINIMAL DIMENSIONS

Slot on frame side: 21 mm

A 21 mm depth slot on the frame side makes it unique and enables its perfect integration in reduced spaces. No need to cut the architrave which can be flush mounted.

IN303, IN300, IN305, IN301, IN230 and IN235 models



REVERSIBILITY

Invisacta hinges are all reversible

The hinge if mounted in the center of the door thickness*, allows the reversibility of the door, thus enabling the optimization of the stock and logistics at installation.

* IN570, IN303, IN300 and IN305 models

COMPATIBILITY

Same milling, different hinges.

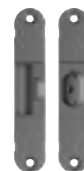
IN230
Doors up to 60 kg.



IN235
Doors up to 40 kg.



AI230
Door alignment device



Milling 23x120 mm

IN303
Doors up to 80 kg.



IN300
Doors up to 60 kg.



IN305
Doors up to 40 kg.



CI335
Doors up to 40 kg.



AI300
Door alignment device



Milling 30x120 mm

INVISACTA

HINGES FOR FLUSH DOOR

INVISACTA

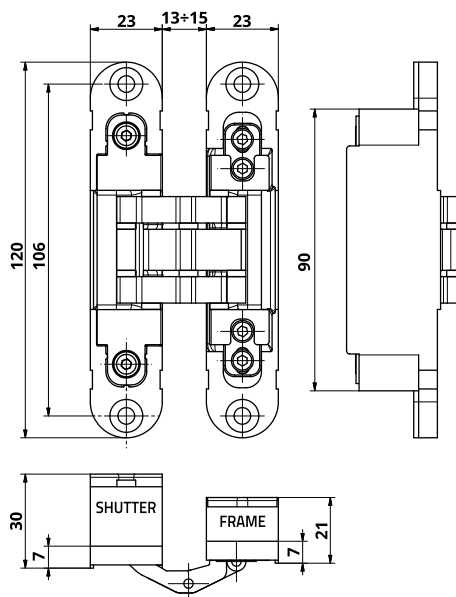


INVISACTA IN230



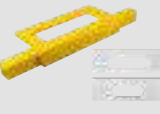

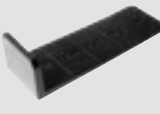


3D adjustable concealed hinge - capacity 60 kg.



Satinized Silver



CODE	DOP	FINISHING	WEIGHT	Pcs / Box	PRICE PCS.
 IN2301209N02 Hinge	<input type="checkbox"/> 2 <input type="checkbox"/> 7 <input type="checkbox"/> 3 <input type="checkbox"/> 1 <input type="checkbox"/> 1 <input type="checkbox"/> 4 <input type="checkbox"/> 0 <input type="checkbox"/> 10	Matt Black	425 gr.	18 3 x 6 (Box x pcs. each)	€ 33,50
 GC2300109N02 Aluminium caps		Matt Black	1,23 gr.	576 8 x 72 (Box x pcs. each)	€ 0,652
 IN2301209P02 Hinge	<input type="checkbox"/> 2 <input type="checkbox"/> 7 <input type="checkbox"/> 3 <input type="checkbox"/> 1 <input type="checkbox"/> 1 <input type="checkbox"/> 4 <input type="checkbox"/> 0 <input type="checkbox"/> 10	Matt White (RAL 9016)	425 gr.	18 3 x 6 (Box x pcs. each)	€ 31,80
 GC2300109P02 Aluminium caps		Matt White (RAL 9016)	1,23 gr.	576 8 x 72 (Box x pcs. each)	€ 0,256
 IN230120H004 Hinge	<input type="checkbox"/> 2 <input type="checkbox"/> 7 <input type="checkbox"/> 3 <input type="checkbox"/> 1 <input type="checkbox"/> 1 <input type="checkbox"/> 1 <input type="checkbox"/> 0 <input type="checkbox"/> 10	Zinc Plated	425 gr.	18 3 x 6 (Box x pcs. each)	€ 29,70
 GC230010J102 Aluminium caps		Satinized Silver	1,23 gr.	576 8 x 72 (Box x pcs. each)	€ 0,256
 IN230120V702 Hinge	<input type="checkbox"/> 2 <input type="checkbox"/> 7 <input type="checkbox"/> 3 <input type="checkbox"/> 1 <input type="checkbox"/> 1 <input type="checkbox"/> 4 <input type="checkbox"/> 0 <input type="checkbox"/> 10	Satinized Silver	425 gr.	18 3 x 6 (Box x pcs. each)	€ 31,80
 GC230010J102 Aluminium caps		Satinized Silver	1,23 gr.	576 8 x 72 (Box x pcs. each)	€ 0,256
 IN230120VN02 Hinge	<input type="checkbox"/> 2 <input type="checkbox"/> 7 <input type="checkbox"/> 3 <input type="checkbox"/> 1 <input type="checkbox"/> 1 <input type="checkbox"/> 4 <input type="checkbox"/> 0 <input type="checkbox"/> 10	Satinized Nickel Plated	425 gr.	18 3 x 6 (Box x pcs. each)	€ 31,80
 GC230010J202 Aluminium caps		Satinized Nickel Plated	1,23 gr.	576 8 x 72 (Box x pcs. each)	€ 0,256
 IN230120V002 Hinge	<input type="checkbox"/> 2 <input type="checkbox"/> 7 <input type="checkbox"/> 3 <input type="checkbox"/> 1 <input type="checkbox"/> 1 <input type="checkbox"/> 2 <input type="checkbox"/> 0 <input type="checkbox"/> 10	Polished Gold	425 gr.	18 3 x 6 (Box x pcs. each)	€ 46,80
 GC230010J005 Aluminium caps		Gold Aluminium	1,23 gr.	576 8 x 72 (Box x pcs. each)	€ 0,341

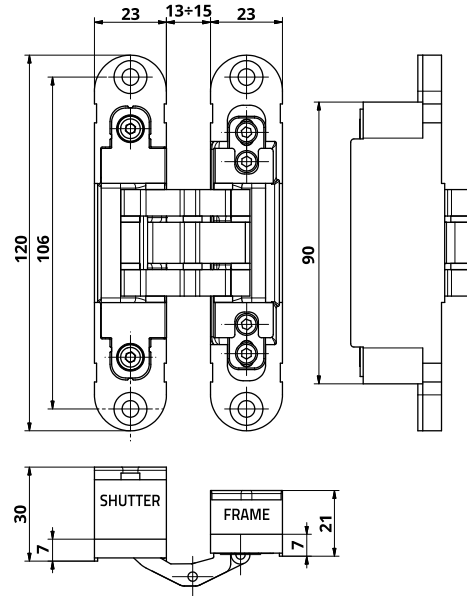
ACCESSORIES	 Door alignment device Page 24	 Aluminium jig Page 27	 Nylon jig Page 27	 Plate and shims Page 28	 Wedge Page 30	 Cap for hole Page 30	Short link  www.otlav.it - IN230
--------------------	--	--	--	--	---	---	--




INVISACTA IN235

3D adjustable concealed hinge - capacity 40 kg.



Satinized Silver



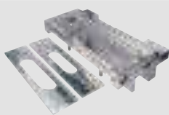
CODE	DOP	FINISHING	WEIGHT	Pcs / Box	PRICE PCS.
 IN2351209P17 Hinge with aluminium caps included	2 7 2 0 1 4 0 7	Matt White (RAL 9016)	299 gr.	42 1 x 42 (Box x pcs. each)	€ 23,20
 IN235120H08 Hinge with aluminium caps included	2 7 2 0 1 1 0 7	Zinc Plated	295 gr.	42 1 x 42 (Box x pcs. each)	€ 22,20
 IN235120V708 Hinge with aluminium caps included	2 7 2 0 1 4 0 7	Satinized Silver	295 gr.	42 1 x 42 (Box x pcs. each)	€ 23,00

ACCESSORIES



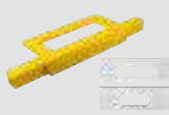
Door alignment device

Page 24



Aluminium jig

Page 27



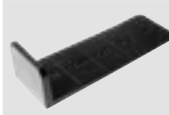
Nylon jig

Page 27



Plate and shims

Page 28



Wedge

Page 30



Cap for hole

Page 30

Short link



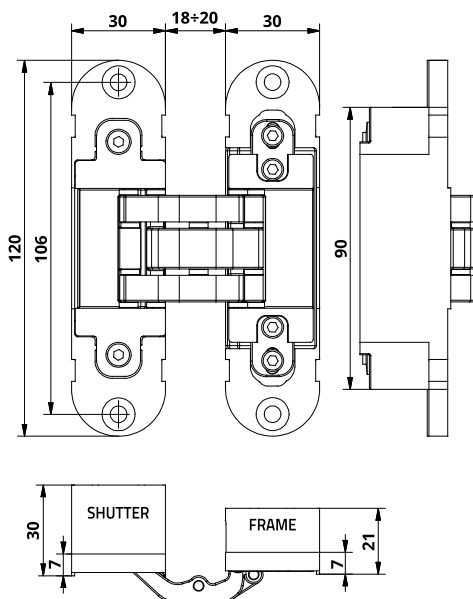
www.otlav.it - IN235

INVISACTA IN300

3D adjustable concealed hinge - capacity 60 kg.



Satinized Silver



CODE	DOP	FINISHING	WEIGHT	Pcs / Box	PRICE PCS.
 IN3001209N02 Hinge	<input type="checkbox"/> 2 <input type="checkbox"/> 7 <input type="checkbox"/> 3 <input type="checkbox"/> 1 <input type="checkbox"/> 1 <input type="checkbox"/> 4 <input type="checkbox"/> 0 <input type="checkbox"/> 10	Matt Black	600 gr.	18 3 x 6 (Box x pcs. each)	€ 31,50
 GC3000109N02 Aluminium caps		Matt Black	1,6 gr.	576 8 x 72 (Box x pcs. each)	€ 0,691
 IN3001209P02 Hinge	<input type="checkbox"/> 2 <input type="checkbox"/> 7 <input type="checkbox"/> 3 <input type="checkbox"/> 1 <input type="checkbox"/> 1 <input type="checkbox"/> 4 <input type="checkbox"/> 0 <input type="checkbox"/> 10	Matt White (RAL 9016)	600 gr.	18 3 x 6 (Box x pcs. each)	€ 31,50
 GC3000109P02 Aluminium caps		Matt White (RAL 9016)	1,6 gr.	576 8 x 72 (Box x pcs. each)	€ 0,278
 IN300120B002 Hinge	<input type="checkbox"/> 2 <input type="checkbox"/> 7 <input type="checkbox"/> 3 <input type="checkbox"/> 1 <input type="checkbox"/> 1 <input type="checkbox"/> 1 <input type="checkbox"/> 0 <input type="checkbox"/> 10	Bronze Plated	600 gr.	18 3 x 6 (Box x pcs. each)	€ 31,50
 GC3000109R02 Aluminium caps		Bronze Plated	1,6 gr.	576 8 x 72 (Box x pcs. each)	€ 0,278
 IN300120H004 Hinge	<input type="checkbox"/> 2 <input type="checkbox"/> 7 <input type="checkbox"/> 3 <input type="checkbox"/> 1 <input type="checkbox"/> 1 <input type="checkbox"/> 1 <input type="checkbox"/> 0 <input type="checkbox"/> 10	Zinc Plated	600 gr.	18 3 x 6 (Box x pcs. each)	€ 29,40
 GC300010J102 Aluminium caps		Satinized Silver	1,6 gr.	576 8 x 72 (Box x pcs. each)	€ 0,278
 IN300120V702 Hinge	<input type="checkbox"/> 2 <input type="checkbox"/> 7 <input type="checkbox"/> 3 <input type="checkbox"/> 1 <input type="checkbox"/> 1 <input type="checkbox"/> 4 <input type="checkbox"/> 0 <input type="checkbox"/> 10	Satinized Silver	600 gr.	18 3 x 6 (Box x pcs. each)	€ 31,50
 GC300010J102 Aluminium caps		Satinized Silver	1,6 gr.	576 8 x 72 (Box x pcs. each)	€ 0,278
 IN300120VN02 Hinge	<input type="checkbox"/> 2 <input type="checkbox"/> 7 <input type="checkbox"/> 3 <input type="checkbox"/> 1 <input type="checkbox"/> 1 <input type="checkbox"/> 4 <input type="checkbox"/> 0 <input type="checkbox"/> 10	Satinized Nickel Plated	600 gr.	18 3 x 6 (Box x pcs. each)	€ 31,50
 GC300010J205 Aluminium caps		Satinized Nickel Plated	1,6 gr.	576 8 x 72 (Box x pcs. each)	€ 0,278
 IN300120V002 Hinge	<input type="checkbox"/> 2 <input type="checkbox"/> 7 <input type="checkbox"/> 3 <input type="checkbox"/> 1 <input type="checkbox"/> 1 <input type="checkbox"/> 2 <input type="checkbox"/> 0 <input type="checkbox"/> 10	Polished Gold	600 gr.	18 3 x 6 (Box x pcs. each)	€ 46,30
 GC300010J005 Aluminium caps		Gold Aluminium	1,6 gr.	576 8 x 72 (Box x pcs. each)	€ 0,341

ACCESSORIES					
	Door alignment device	Aluminium jig	Nylon jig	Plate and shims	Wedge
	Page 24	Page 27	Page 27	Page 29	Page 30

Short link



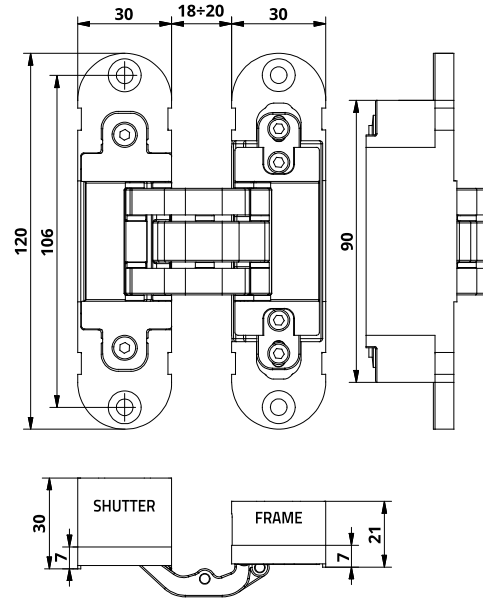
www.otlav.it - IN300

INVISACTA IN303

3D adjustable concealed hinge - capacity 80 kg.



Satinized Silver



INVISACTA

CODE	DOP	FINISHING	WEIGHT	Pcs / Box	PRICE PCS.								
 IN3031209N02 Hinge	<table border="1"><tr><td>3</td><td>7</td><td>4</td><td>1</td><td>1</td><td>4</td><td>0</td><td>11</td></tr></table>	3	7	4	1	1	4	0	11	Matt Black	524 gr.	18 3 x 6 (Box x pcs. each)	€ 44,80
3	7	4	1	1	4	0	11						
 GC3000109N02 Aluminium caps		Matt Black	1,6 gr.	576 8 x 72 (Box x pcs. each)	€ 0,691								
 IN303120V702 Hinge	<table border="1"><tr><td>3</td><td>7</td><td>4</td><td>1</td><td>1</td><td>4</td><td>0</td><td>11</td></tr></table>	3	7	4	1	1	4	0	11	Satinized Silver	524 gr.	18 3 x 6 (Box x pcs. each)	€ 42,50
3	7	4	1	1	4	0	11						
 GC300010J102 Aluminium caps		Satinized Silver	1,6 gr.	576 8 x 72 (Box x pcs. each)	€ 0,278								
 IN303120VN02 Hinge	<table border="1"><tr><td>3</td><td>7</td><td>4</td><td>1</td><td>1</td><td>4</td><td>0</td><td>11</td></tr></table>	3	7	4	1	1	4	0	11	Satinized Nickel Plated	524 gr.	18 3 x 6 (Box x pcs. each)	€ 42,50
3	7	4	1	1	4	0	11						
 GC300010J205 Aluminium caps		Satinized Nickel Plated	1,6 gr.	576 8 x 72 (Box x pcs. each)	€ 0,278								
 IN303120V002 Hinge	<table border="1"><tr><td>3</td><td>7</td><td>4</td><td>1</td><td>1</td><td>2</td><td>0</td><td>11</td></tr></table>	3	7	4	1	1	2	0	11	Polished Gold	524 gr.	18 3 x 6 (Box x pcs. each)	€ 69,85
3	7	4	1	1	2	0	11						
 GC300010J005 Aluminium caps		Gold Aluminium	1,6 gr.	576 8 x 72 (Box x pcs. each)	€ 0,341								

*UL marked models available on request

ACCESSORIES	 Door alignment device Page 24	 Aluminium jig Page 27	 Nylon jig Page 27	 Plate and shims Page 29	 Wedge Page 30
-------------	--	--	--	--	---

Short link



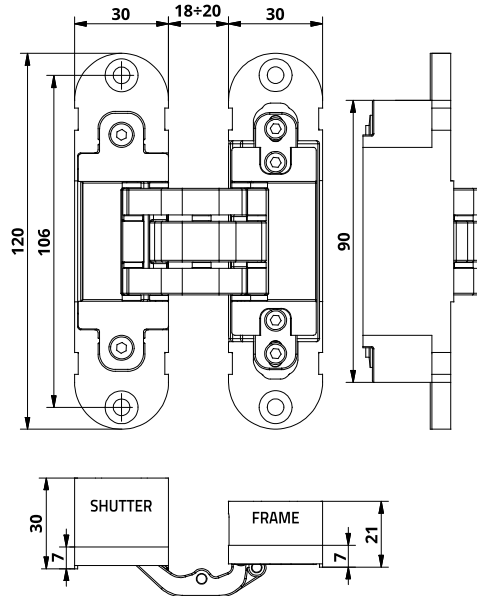
www.otlav.it - IN303



INVISACTA IN305

3D adjustable concealed hinge - capacity 40 kg.

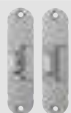


Satinized Silver



CODE	DOP	FINISHING	WEIGHT	Pcs / Box	PRICE PCS.
 IN3051209P04 Hinge with aluminium caps included	2 7 2 0 1 4 0 7	Matt White (RAL 9016)	368 gr.	32 1 x 32 (Box x pcs. each)	€ 28,90
 IN305120V705 Hinge with aluminium caps included	2 7 2 0 1 4 0 7	Satinized Silver	372 gr.	32 1 x 32 (Box x pcs. each)	€ 28,00

ACCESSORIES



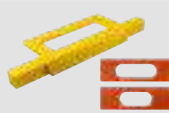
Door alignment device

Page 24



Aluminium jig

Page 27



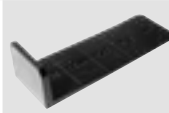
Nylon jig

Page 27



Plate and shims

Page 29



Wedge

Page 30

Short link



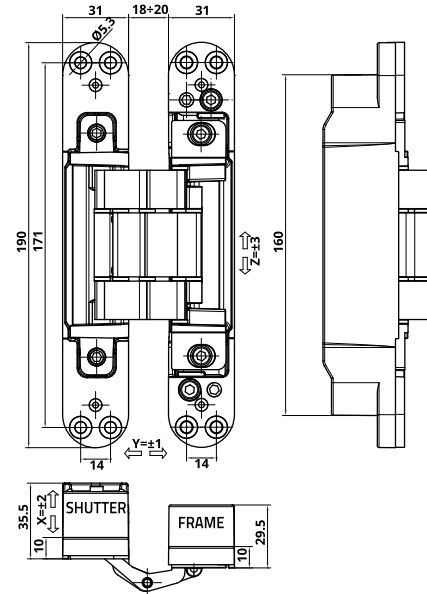
www.otlav.it - IN305

INVISACTA IN310







3D adjustable concealed hinge - capacity 120 kg.



Satinized Silver



INVISACTA

CODE	DOP	FINISHING	WEIGHT	Pcs / Box	PRICE PCS.
 IN3101909N03 Hinge with caps included	4 7 6 1 1 4 1 13	Matt Black	1.312 gr.	2 2 x 1 (Box x pcs. each)	€ 111,60
 IN3101909P03 Hinge with caps included	4 7 6 1 1 4 1 13	Matt White (RAL 9016)	1.312 gr.	2 2 x 1 (Box x pcs. each)	€ 111,60
 IN310190V703 Hinge with caps included	4 7 6 1 1 4 1 13	Satinized Silver	1.312 gr.	2 2 x 1 (Box x pcs. each)	€ 105,20
 IN310190VD03 Hinge with caps included	4 7 6 1 1 4 1 13	Chrome Plated	1.312 gr.	2 2 x 1 (Box x pcs. each)	€ 154,40
 IN310190VN03 Hinge with caps included	4 7 6 1 1 4 1 13	Satinized Nickel Plated	1.312 gr.	2 2 x 1 (Box x pcs. each)	€ 105,20
 IN310190V003 Hinge with caps included	4 7 6 1 1 4 1 13	Polished Gold	1.312 gr.	2 2 x 1 (Box x pcs. each)	€ 154,40

*UL marked models available on request

ACCESSORIES	 Fixing plate Page 26	 Aluminium jig Page 27	 Nylon jig Page 27
--------------------	---	--	--

Short link



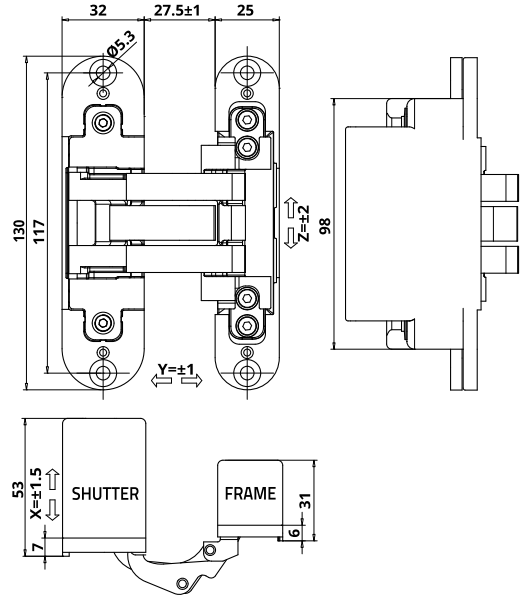
www.otlav.it - IN310

INVISACTA IN570

3D offset adjustable concealed hinge - capacity 60 kg.



Satinized Silver

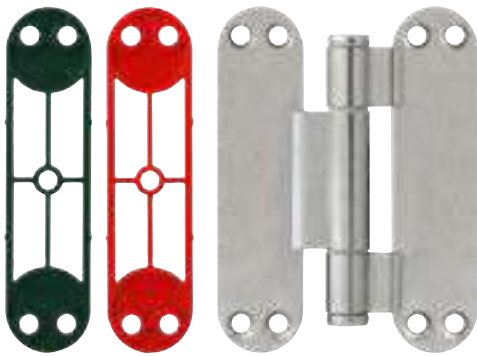


CODE	DOP	FINISHING	WEIGHT	Pcs / Box	PRICE PCS.
 IN5701309N03 Hinge with caps included	2 7 3 0 1 4 0 10	Matt Black	870 gr.	12 12 x 1 (Box x pcs. each)	€ 69,00
 IN570130V703 Hinge with caps included	2 7 3 0 1 4 0 10	Satinized Silver	870 gr.	12 12 x 1 (Box x pcs. each)	€ 67,50
 IN570130VN03 Hinge with caps included	2 7 3 0 1 4 0 10	Satinized Nickel Plated	870 gr.	12 12 x 1 (Box x pcs. each)	€ 67,50

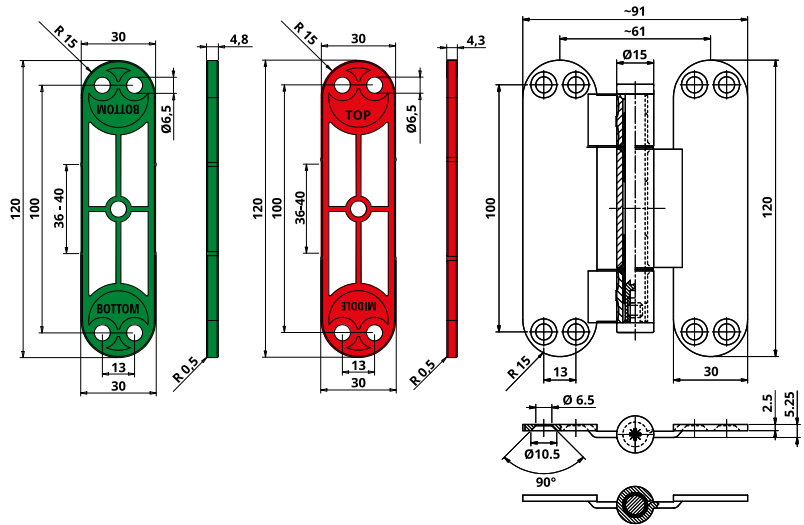
Short link



www.otlav.it - IN570



Nickel Plated



CODE	FINISHING	WEIGHT	Pcs / Box	PRICE PCS.
 CI335150N035 Hinge with plates consistent with IN300, IN303 and IN305 milling - Kit containing 3 hinges, 4 green spacers, 4 red spacers and 24 screws.	Nickel Plated	252,4 gr.	48 4 x 12 (Box x pcs. each)	€ 31,70

ACCESSORIES	 Aluminium jig Page 27	 Nylon jig Page 27
-------------	--	--

Short link



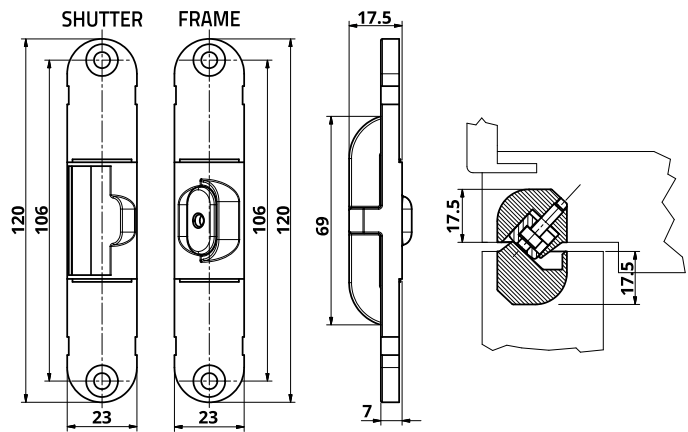
www.otlav.it - 335 Ø15



AI 230

Door alignment device for IN230 and IN235



Satinized Silver



CODE	FINISHING	WEIGHT	Pcs / Box	PRICE PCS.
 AI230120V702 Door alignment device	Satinized Silver	202 gr.	72 8 x 9 (Box x pcs. each)	€ 10,34
 GC230010J102 Aluminium caps	Satinized Silver	1,23 gr.	576 8 x 72 (Box x pcs. each)	€ 0,256

Short link



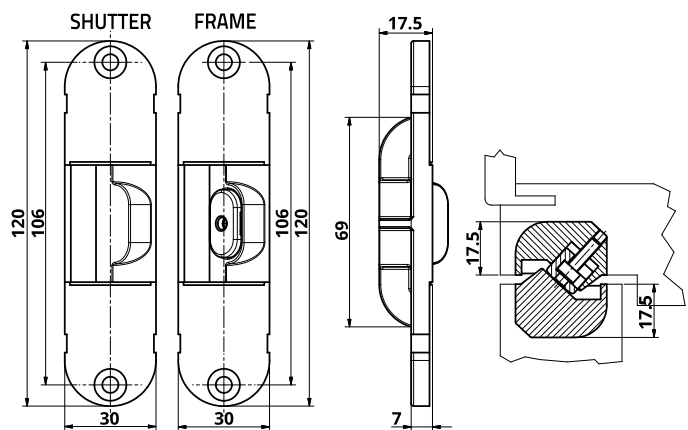
www.otlav.it - AI 230



AI 300

Door alignment device for IN300, IN303 and IN305



Satinized Silver



CODE	FINISHING	WEIGHT	Pcs / Box	PRICE PCS.
 AI300120V702 Door alignment device	Satinized Silver	234 gr.	48 8 x 6 (Box x pcs. each)	€ 10,34
 GC300010J102 Aluminium caps	Satinized Silver	1,6 gr.	576 8 x 72 (Box x pcs. each)	€ 0,278

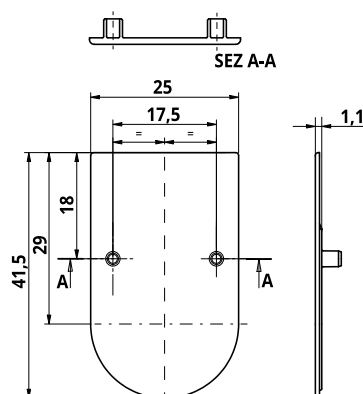
Short link




www.otlav.it - AI 300



Satinized Silver Nylon



CODE	FINISHING	WEIGHT	Pcs / Box	PRICE PCS.
 GC2300107102	Satinized Silver Nylon	1 gr.	576 8 x 72 (Box x pcs. each)	€ 0,136

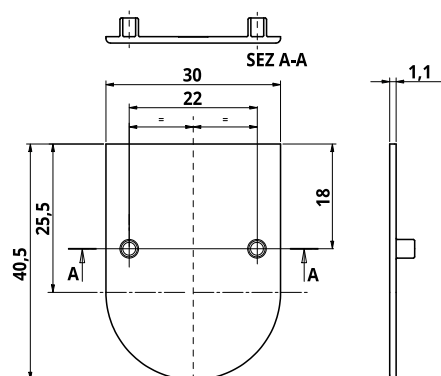
Short link



www.otlav.it - GC 230



Satinized Silver Nylon



CODE	FINISHING	WEIGHT	Pcs / Box	PRICE PCS.
 GC3000107102	Satinized Silver Nylon	1 gr.	576 8 x 72 (Box x pcs. each)	€ 0,15

Short link



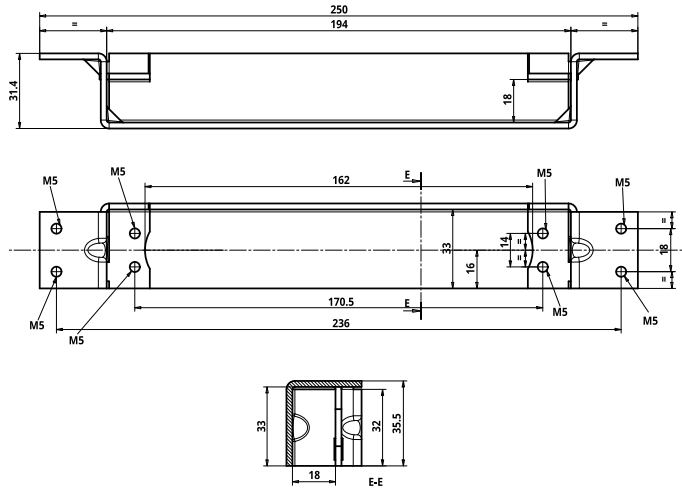
www.otlav.it - GC 300


JC 522

Fixing plate for IN310 for metal frames, to be welded or screwed



Zinc Plated



CODE	FINISHING	WEIGHT	Pcs / Box	PRICE PCS.
 JC522310H004 Fixing plate	Zinc Plated	320 gr.	24 1 x 24 (Box x pcs. each)	€ 12,46

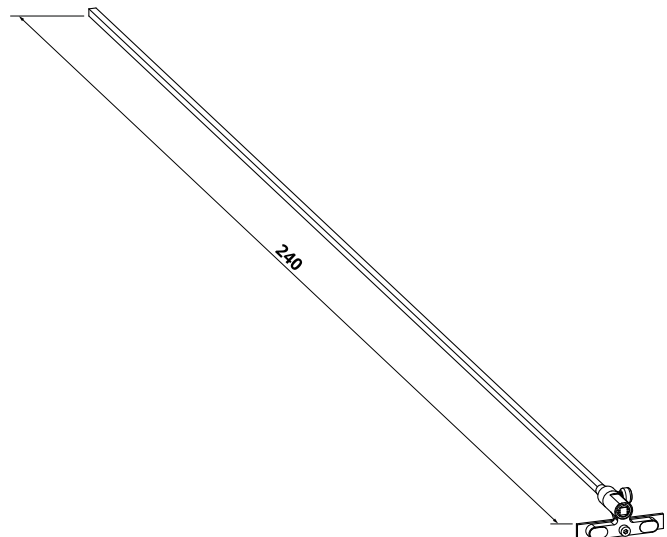
Short link




www.otlav.it - JC 522

MU 800

Graduated rod for MUINV AL jig



CODE	WEIGHT	Pcs / Box	PRICE PCS.
 MU800300G002 Graduated rod	3.560 gr.	1 (Tube)	€ 266,90

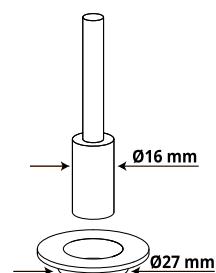
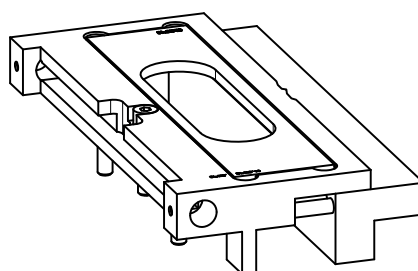
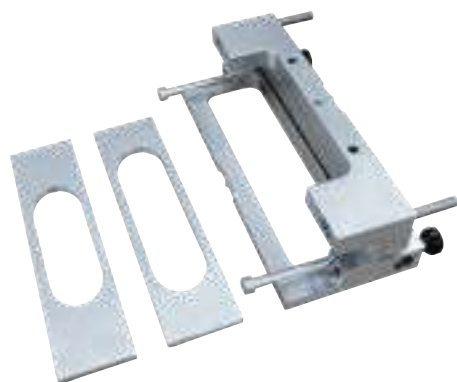
Short link







www.otlav.it - MU 800

MU INV AL

Aluminium jig for INVISACTA hinges



End mill and router template guide not included

CODE	WEIGHT	Pcs / Box	PRICE PCS.
 MUDIMINVG002 Aluminium holder for INVISACTA template guides	1.594 gr.	1	€ 350,00
 MUMAS230G002 Jig guides for IN230 and IN235 hinges	305 gr.	1	€ 70,00
 MUMAS300G002 Jig guides for IN300, IN305 and IN303 hinges	284 gr.	1	€ 70,00
 MUMAS310G002 Jig guides for IN310 hinges	260 gr.	1	€ 70,00

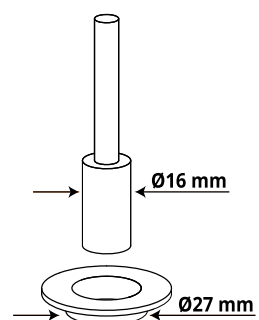
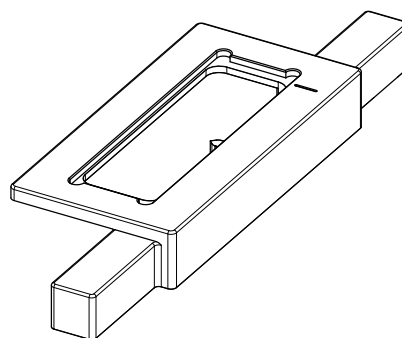
Short link







www.otlav.it - MU INV AL

MU INV ABS

Nylon jig for INVISACTA hinges



End mill and router template guide not included

CODE	WEIGHT	Pcs / Box	PRICE PCS.
 MUBAS500G002 Nylon holder for INVISACTA template guides	697 gr.	1	€ 30,00
 MUMAS230W004 Jig and guides for IN230 and IN235 hinges	134 gr.	1	€ 18,00
 MUMAS300R004 Jig guides for IN300, IN303 and IN305 hinges	110 gr.	1	€ 18,00
 MUMAS310N004 Jig guides for IN310 hinges	97 gr.	1	€ 18,00

Short link



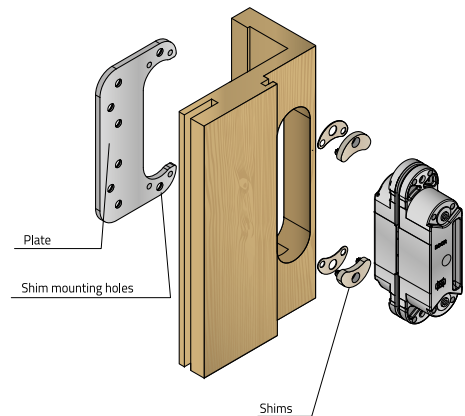
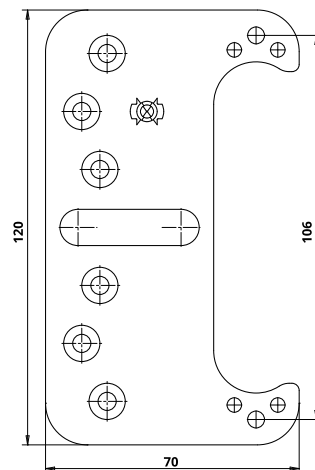
www.otlav.it - MU INV ABS

NP 120

Plate and shims for IN300, IN303 and IN305



Zinc Plated 12μ



CODE	FINISHING	WEIGHT	Pcs / Box	PRICE PCS.
 NP120040H502 Plate for IN300, IN303 and IN305	Zinc Plated 12μ	157 gr.	144 8 x 18 (Box x pcs. each)	€ 3,27
 PP020G10Z003 Shims kit for IN230 and IN235 - 12 pieces thickness 0,5 mm and 12 pieces thickness 1 mm	Nylon	7 gr.	24 8 x 3 (Box x KIT x pcs. each)	€ 2,326
 PP020V20Z003 Shims kit for IN230 and IN235 - 12 pieces thickness 0,5 mm and 12 pieces thickness 2 mm	Nylon	10 gr.	24 8 x 3 (Box x KIT x pcs. each)	€ 2,373
 PP020R30Z003 Shims kit for IN230 and IN235 - 12 pieces thickness 0,5 mm and 12 pieces thickness 3 mm	Nylon	13 gr.	24 8 x 3 (Box x KIT x pcs. each)	€ 2,411
 PP020B40Z003 Shims kit for IN230 and IN235 - 12 pieces thickness 0,5 mm and 12 pieces thickness 4 mm	Nylon	20 gr.	24 8 x 3 (Box x KIT x pcs. each)	€ 2,45
 PP020N50Z003 Shims kit for IN230 and IN235 - 12 pieces thickness 0,5 mm and 12 pieces thickness 5 mm	Nylon	23 gr.	24 8 x 3 (Box x KIT x pcs. each)	€ 2,488

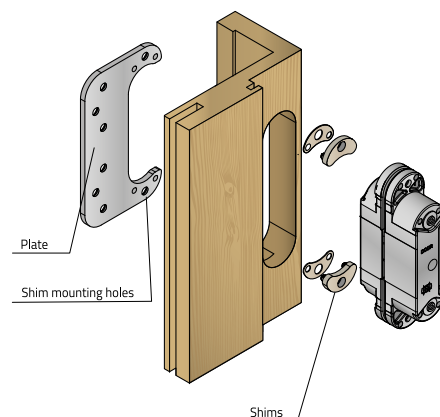
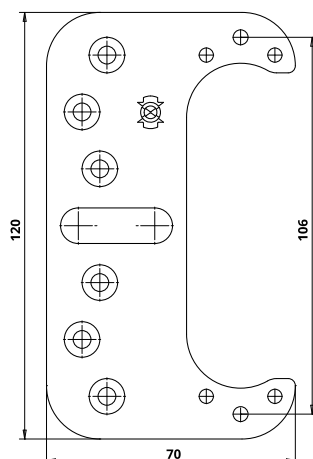
Short link









www.otlav.it - NP 120



Zinc Plated 12μ



CODE	FINISHING	WEIGHT	Pcs / Box	PRICE PCS.
 NP120040H504 Plate for IN230 and IN235	Zinc Plated 12μ	173 gr.	144 8 x 18 (Box x pcs. each)	€ 3,30
 PP027G10Z003 Shims kit for IN300, IN303 and IN305 - 12 pieces thickness 0,5 mm and 12 pieces thickness 1 mm	Nylon	7 gr.	24 8 x 3 (Box x KIT x pcs. each)	€ 2,326
 PP027V20Z003 Shims kit for IN300, IN303 and IN305 - 12 pieces thickness 0,5 mm and 12 pieces thickness 2 mm	Nylon	10 gr.	24 8 x 3 (Box x KIT x pcs. each)	€ 2,373
 PP027R30Z003 Shims kit for IN300, IN303 and IN305 - 12 pieces thickness 0,5 mm and 12 pieces thickness 3 mm	Nylon	13 gr.	24 8 x 3 (Box x KIT x pcs. each)	€ 2,411
 PP027B40Z003 Shims kit for IN300, IN303 and IN305 - 12 pieces thickness 0,5 mm and 12 pieces thickness 4 mm	Nylon	20 gr.	24 8 x 3 (Box x KIT x pcs. each)	€ 2,45
 PP027N50Z003 Shims kit for IN300, IN303 and IN305 - 12 pieces thickness 0,5 mm and 12 pieces thickness 5 mm	Nylon	23 gr.	24 8 x 3 (Box x KIT x pcs. each)	€ 2,79

Short link



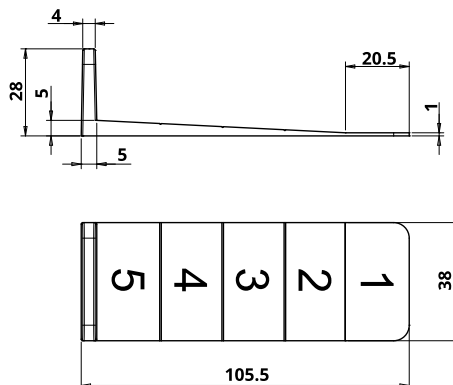
www.otlav.it - NP 120


PP 105

Wedge with 5 spacers (1-2-3-4-5 mm)



Black Nylon



CODE	FINISHING	WEIGHT	Pcs / Box	PRICE PCS.
 PP105050Y202 Wedge	Black Nylon	14 gr.	1 (Unpacked)	€ 0,58

Short link



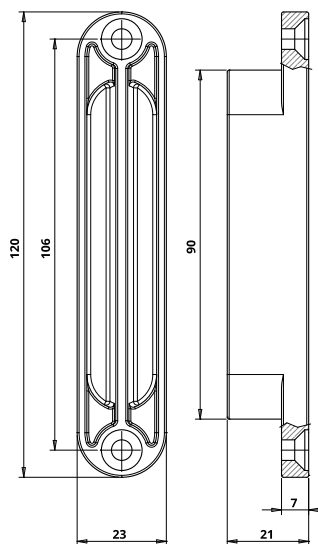
www.otlav.it - PP 105

TP 230

Nylon cap for IN230 and IN235



Yellow



CODE	FINISHING	WEIGHT	Pcs / Box	PRICE PCS.
 TP230120Z002 Cap for hole	Yellow Nylon	24 gr.	1 (Unpacked)	€ 0,98

Short link



www.otlav.it - TP 230

PVC

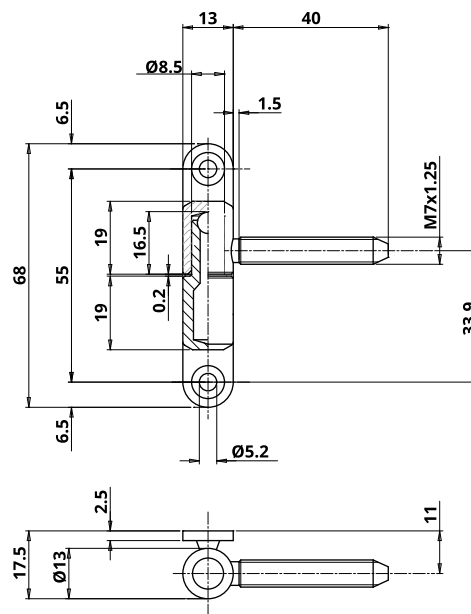








P09 Ø13

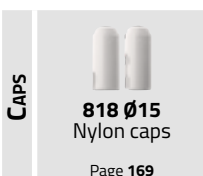
Hinge - male part on plate, female part pin M7x40 mm



White (RAL 9010)



CODE	FINISHING	WEIGHT	Pcs / Box	PRICE PCS.	TOT.
 CF030130H023 Door part	Zinc Plated	19,62 gr.	500 1 x 500 (Box x pcs. each)	€ 0,221	€ 0,707
 CGP09130H005 Frame part	Zinc Plated	32,16 gr.	500 1 x 500 (Box x pcs. each)	€ 0,486	
 CF030130P347 Door part on loader	White (RAL 9010)	18,87 gr.	342 1 x 342 (Box x pcs. each)	€ 0,396	€ 1,079
 CGP09130P306 Frame part	White (RAL 9010)	32,17 gr.	520 4 x 130 (Box x pcs. each)	€ 0,683	
 CF030130P904 Door part on loader	Grey (RAL 7035)	18,87 gr.	342 1 x 342 (Box x pcs. each)	€ 0,436	€ 1,168
 CGP09130P902 Frame part	Grey (RAL 7035)	32,17 gr.	520 4 x 130 (Box x pcs. each)	€ 0,732	

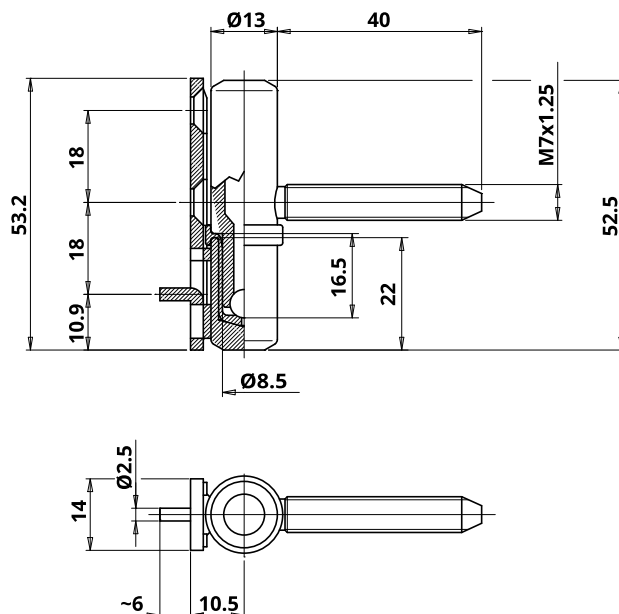






www.otlav.it - P09 Ø13

Hinge - female part on plate and nylon bush with ring, male part pin M7x40 mm



Grey (9F)



CODE	FINISHING	WEIGHT	Pcs / Box	PRICE PCS.	TOT.
 CFP391309F54 Door part on loader	Grey (9F)	30,27 gr.	342 1 x 342 (Box x pcs. each)	€ 0,649	€ 1,451
 CGP361309F52 Frame part	Grey (9F)	24,66 gr.	504 1 x 504 (Box x pcs. each)	€ 0,802	
 CFP39130P316 Door part on loader	White (RAL 9010)	30,27 gr.	342 1 x 342 (Box x pcs. each)	€ 0,566	€ 1,211
 CGP36130P302 Frame part	White (RAL 9010)	24,66 gr.	680 4 x 170 (Box x pcs. each)	€ 0,645	

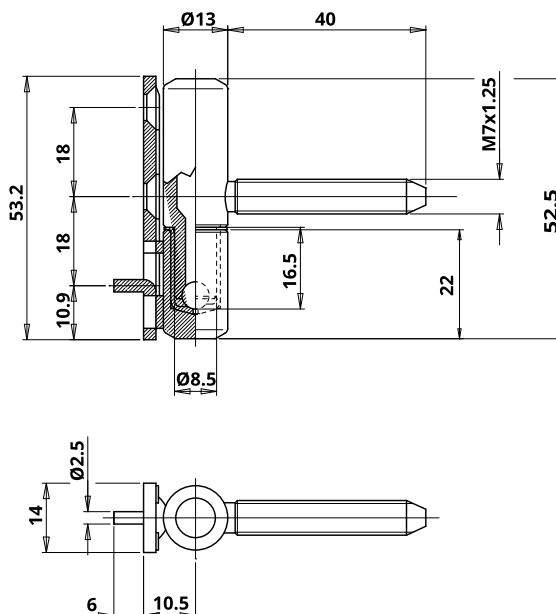














P38 Ø13

Hinge - female part on plate and nylon bush, male part pin M7x40 mm



Grey (RAL 7035)



CODE	FINISHING	WEIGHT	Pcs / Box	PRICE PCS.	TOT.
 CFP391309F54 Door part on loader	Grey (9F)	30,27 gr.	342 1 x 342 (Box x pcs. each)	€ 0,649	€ 1,544
 CGP381309F59 Frame part on loader	Grey (9F)	24,9 gr.	504 1 x 504 (Box x pcs. each)	€ 0,895	
 CFP39130P202 Door part on loader	Black	30,27 gr.	342 1 x 342 (Box x pcs. each)	€ 1,015	€ 1,933
 CGP38130P228 Frame part on loader	Black	24,9 gr.	504 1 x 504 (Box x pcs. each)	€ 0,918	
 CFP39130P316 Door part on loader	White (RAL 9010)	30,27 gr.	342 1 x 342 (Box x pcs. each)	€ 0,566	€ 1,313
 CGP38130P340 Frame part on loader	White (RAL 9010)	24,9 gr.	504 1 x 504 (Box x pcs. each)	€ 0,747	
 CFP39130P905 Door part on loader	Grey (RAL 7035)	30,27 gr.	342 1 x 342 (Box x pcs. each)	€ 0,611	€ 1,44
 CGP38130P904 Frame part on loader	Grey (RAL 7035)	24,9 gr.	504 1 x 504 (Box x pcs. each)	€ 0,829	
 CFP39130PI04 Door part on loader	White (RAL 9016)	30,27 gr.	342 1 x 342 (Box x pcs. each)	€ 0,582	€ 1,329
 CGP38130PI34 Frame part on loader	White (RAL 9016)	24,9 gr.	504 1 x 504 (Box x pcs. each)	€ 0,747	
 CFP39130PU02 Door part on loader	Clay Brown (RAL 8003)	30,27 gr.	342 1 x 342 (Box x pcs. each)	€ 0,614	€ 1,443
 CGP38130PU04 Frame part on loader	Clay Brown (RAL 8003)	24,9 gr.	504 1 x 504 (Box x pcs. each)	€ 0,829	

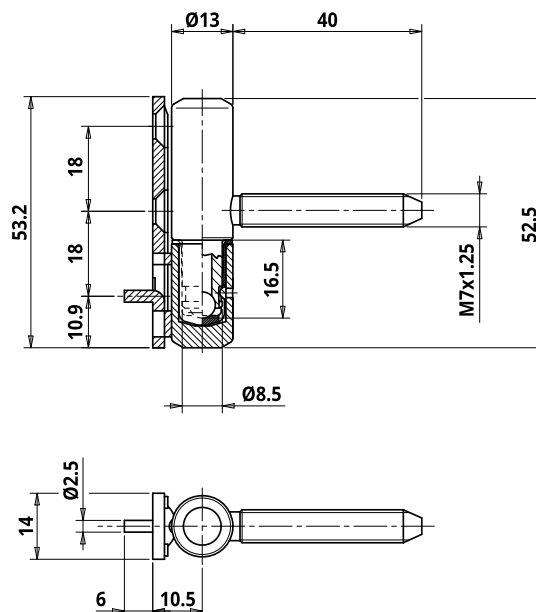


www.otlav.it - P38 Ø13





Wasistas Hinge - female part on plate and nylon bush, male part pin M7x40 mm



White (RAL 9010)



PVC

CODE	FINISHING	WEIGHT	Pcs / Box	PRICE PCS.	TOT.
 CFP39130P353 Door part on loader	White (RAL 9010)	30,27 gr.	342 1 x 342 (Box x pcs. each)	€ 0,748	€ 1,61
 CGP38130P328 Frame part on loader	White (RAL 9010)	24,9 gr.	504 1 x 504 (Box x pcs. each)	€ 0,862	
 CFP39130PI18 Door part on loader	White (RAL 9016)	30,27 gr.	342 1 x 342 (Box x pcs. each)	On request	
 CGP38130PI16 Frame part on loader	White (RAL 9016)	24,9 gr.	504 1 x 504 (Box x pcs. each)	On request	

TOOLS



MC703P39G002
Wooden jig for overlay doors
Page 157

Short link



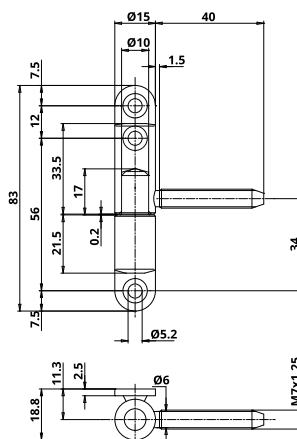
www.otlav.it - P38 Ø13





P50 Ø15

Hinge - male part on plate, female part pin M7x40 mm



White (RAL 9010)



CODE	FINISHING	WEIGHT	Pcs / Box	PRICE PCS.	TOT.
 CFP50150H047 Door part	Zinc Plated	42,16 gr.	400 1 x 400 (Box x pcs. each)	€ 0,447	€ 1,086
 CGP50150H005 Frame part	Zinc Plated	43,42 gr.	400 1 x 400 (Box x pcs. each)	€ 0,639	
 CFP50150P392 Door part on loader	White (RAL 9010)	41,58 gr.	270 1 x 270 (Box x pcs. each)	€ 0,65	€ 1,519
 CGP50150P312 Frame part	White (RAL 9010)	44,47 gr.	360 4 x 90 (Box x pcs. each)	€ 0,869	

Short link



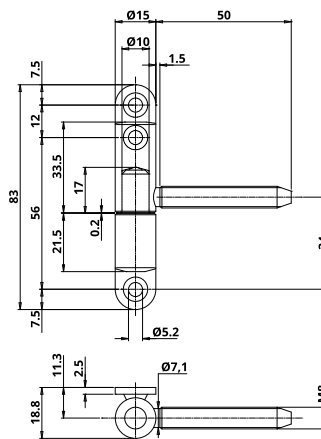
www.otlav.it - P50 Ø15





P50 Ø15

Hinge - male part on plate, female part pin M8x50 mm



Zinc Plated



CODE	FINISHING	WEIGHT	Pcs / Box	PRICE PCS.	TOT.
 CFP50150H049 Door part	Zinc Plated	48,44 gr.	400 1 x 400 (Box x pcs. each)	€ 0,537	€ 1,176
 CGP50150H005 Frame part	Zinc Plated	43,42 gr.	400 1 x 400 (Box x pcs. each)	€ 0,639	
 CFP50150P393 Door part on loader	White (RAL 9010)	51,51 gr.	270 1 x 270 (Box x pcs. each)	€ 0,726	€ 1,595
 CGP50150P312 Frame part	White (RAL 9010)	44,47 gr.	360 4 x 90 (Box x pcs. each)	€ 0,869	

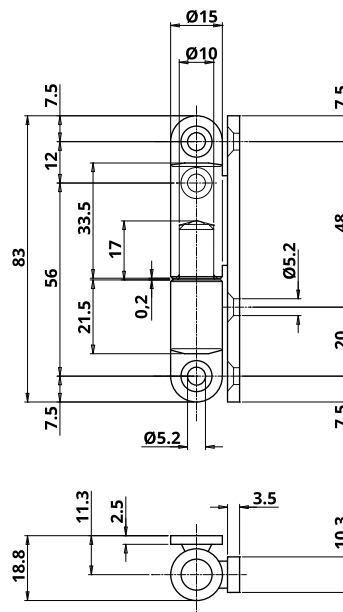
Short link







www.otlav.it - P50 Ø15



White (RAL 9010)



CODE	FINISHING	WEIGHT	Pcs / Box	PRICE PCS.	TOT.
 CFP50150H046 Door part	Zinc Plated	52,95 gr.	400 1 x 400 (Box x pcs. each)	€ 0,82	€ 1,459
 CGP50150H005 Frame part	Zinc Plated	43,42 gr.	400 1 x 400 (Box x pcs. each)	€ 0,639	
 CFP50150P361 Door part	White (RAL 9010)	53,13 gr.	360 4 x 90 (Box x pcs. each)	€ 1,093	€ 1,962
 CGP50150P312 Frame part	White (RAL 9010)	44,47 gr.	360 4 x 90 (Box x pcs. each)	€ 0,869	

Short link



www.otlav.it - P50 Ø15

TRIXACTA

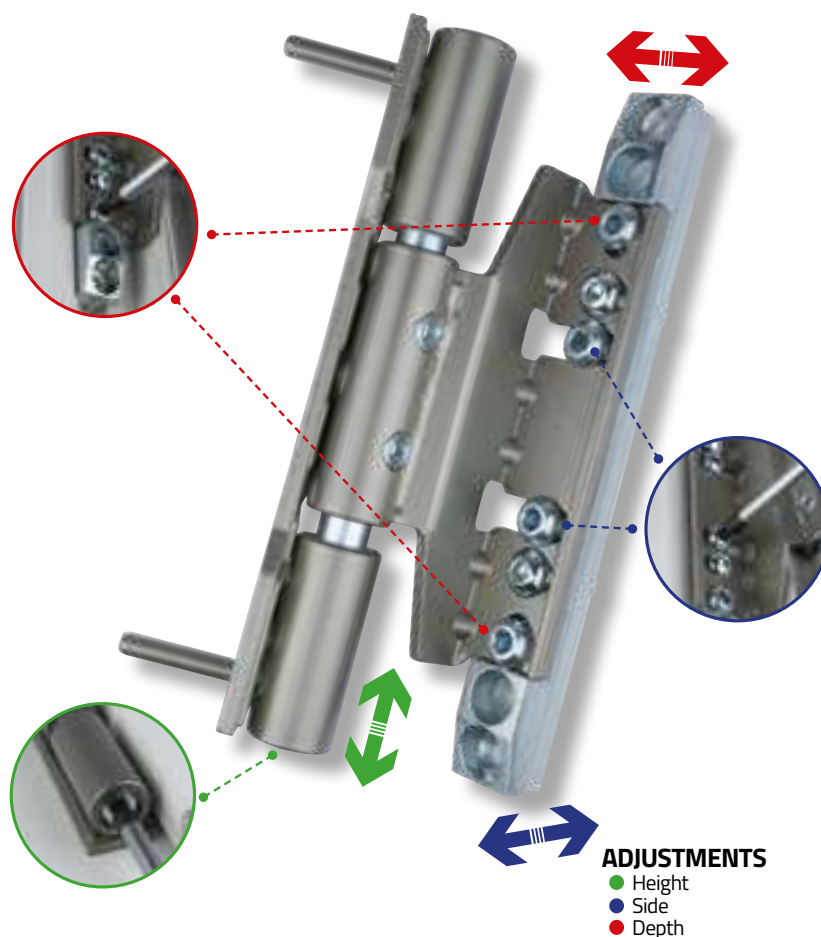


Reversible



TRIXACTA guarantees top quality and reliable performance, and has passed CE tests for a capacity of 160 kg.

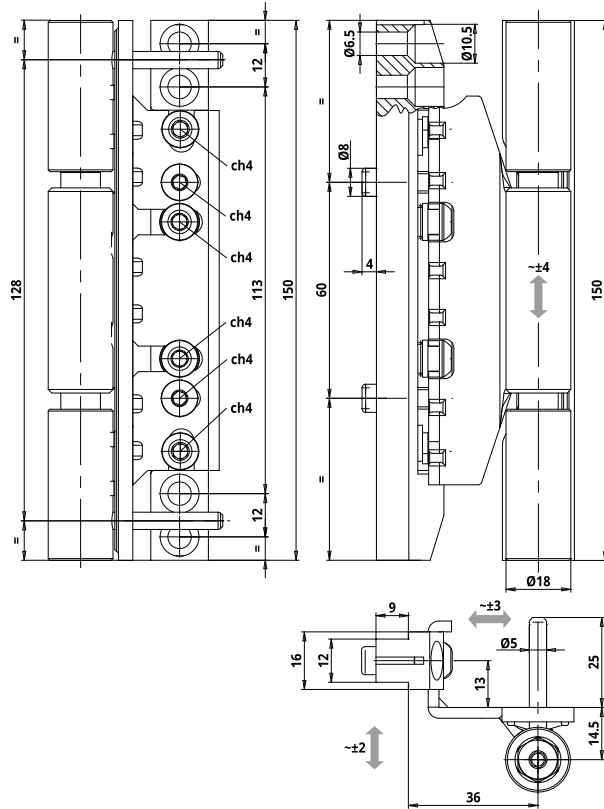
TRIXACTA facilitates rapid installation on European groove profiles with 12 mm clearance and 13mm axis; is adjustable on three axes by means of a single 4mm hex wrench. The end caps are available in several finishes to provide versatile, elegant and modern design.





3D adjustable hinge for profiles with European groove with 13 mm axis - for heavy doors




Grey (9F)



CODE	FINISHING	WEIGHT	Pcs / Box	PRICE PCS.
 CI4731809F02 Complete hinge	Grey (9F)	703 gr.	9* 3 x 3 (Box x pcs. Each)	€ 46,20
 CI473180PI02 Complete hinge	White (RAL 9016)	703 gr.	9* 3 x 3 (Box x pcs. Each)	€ 46,20

*Each box includes: 3 complete hinges, 3 caps kit, 21 screws T25 Ø6.3x45.

Tools



MC 703
Aluminium jigs for overlay doors
Page 158

















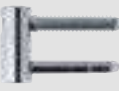


Short link



www.otlav.it - TRIXACTA 473 Ø18

Possible Combinations

Exacta - Bixacta - Ursus

 <p>MALE URSUS Ø16</p>	 <p>URSUS Ø16 3D adjustable hinge with 5 pins</p>	 <p>MIXACTA 483 3D adjustable hinge for profiles with European groove with 13 mm axis</p>	 <p>MIXACTA 483 3D adjustable hinge for profiles with European groove with 9 mm axis</p>
 <p>MALE EXACTA Ø16</p>	 <p>EXACTA Ø16 3D adjustable hinge with 4 pins</p>	 <p>MIXACTA 483 3D adjustable hinge for profiles with European groove with 13 mm axis</p>	 <p>MIXACTA 483 3D adjustable hinge for profiles with European groove with 9 mm axis</p>
 <p>MALE BIXACTA Ø16 PEGS Ø5x26</p>	 <p>MIXACTA 482 2D adjustable hinge with plate</p>	 <p>BIXACTA 483 3D adjustable hinge for profiles with European groove with 13 mm axis</p>	 <p>BIXACTA 483 3D adjustable hinge for profiles with European groove with 9 mm axis</p>
 <p>MALE BIXACTA Ø16</p>	 <p>MIXACTA 482 2D adjustable hinge with plate</p>	 <p>BIXACTA 483 3D adjustable hinge for profiles with European groove with 13 mm axis</p>	 <p>BIXACTA 483 3D adjustable hinge for profiles with European groove with 9 mm axis</p>
<p>MALE</p> <p>FEMALE</p>	 <p>FEMALE EXACTA Ø16</p>	 <p>FEMALE BIXACTA Ø16 AXIS 13 mm</p>	 <p>FEMALE BIXACTA Ø16 AXIS 9 mm</p>

MIXACTA 2D 482 Ø16

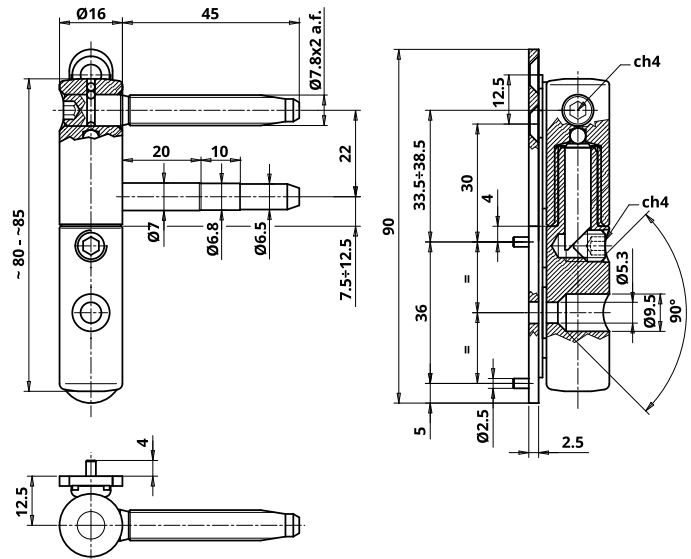
2D adjustable hinge - Female part with 2 pins, adjustable, with nylon bush - Adjustable male part on plate








Zinc Plated 12µ



4 7 5 0 1 2 0 1 2



CODE	FINISHING	WEIGHT	Pcs / Box	PRICE PCS.	TOT.
 CF4951609F60 Door part	Grey (9F)	66 gr.	200 4 x 50 (Box x pcs. each)	€ 3,25	€ 8,81
 CG4821609F56 Frame part	Grey (9F)	95 gr.	200 4 x 50 (Box x pcs. each)	€ 5,56	
 GC8381709F52 Aluminium caps	Grey (9F)	3,32 gr.	160 4 x 40 (Box x pcs. each)	€ 1,646	
 CF495160H502 Door part	Zinc Plated 12µ	64,44 gr.	200 4 x 50 (Box x pcs. each)	€ 2,046	€ 7,016
 CG482160H504 Frame part	Zinc Plated 12µ	95 gr.	192 4 x 48 (Box x pcs. each)	€ 4,97	
 CF495160PI03 Door part	White (RAL 9016)	66 gr.	200 4 x 50 (Box x pcs. each)	€ 2,95	€ 8,15
 CG482160PI06 Frame part	White (RAL 9016)	95 gr.	200 4 x 50 (Box x pcs. each)	€ 5,20	
 GC838170PI02 Aluminium cap	White (RAL 9016)	3,32 gr.	160 4 x 40 (Box x pcs. each)	€ 1,79	
 GC838180Y603 Nylon cap	White Nylon (RAL 9016)	2,41 gr.	480 4 x 120 (Box x pcs. each)	€ 0,221	
 GC846170PI02 Aluminium cap	White (RAL 9016)	3,42 gr.	160 4 x 40 (Box x pcs. each)	€ 1,91	

CAPS					
	838 Ø17 Aluminium caps	838 Ø18 Brass caps	838 Ø18 Nylon caps	839 Ø18 Brass caps	846 Ø17 Aluminium caps
	Page 173	Page 175	Page 175	Page 178	Page 180

Short link



www.otlav.it - MIXACTA 2D 482 Ø16

MIXACTA 2D 482 Ø16

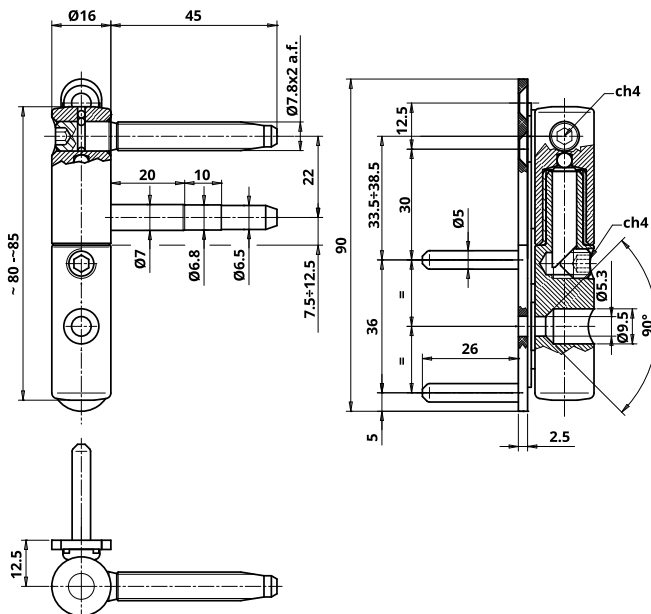
2D adjustable hinge - Female part with 2 pins, adjustable, with nylon bush - Adjustable male part on plate - pegs Ø5x26 mm










Zinc Plated 12µ



4 7 5 0 1 2 0 12



CODE	FINISHING	WEIGHT	Pcs / Box	PRICE PCS.	TOT.
 CF495160H502 Door part	Zinc Plated 12µ	64,44 gr.	200 4 x 50 (Box x pcs. each)	€ 2,046	€ 9,336
 CG482160H517 Frame part	Zinc Plated 12µ	102 gr.	96 8 x 12 (Box x pcs. each)	€ 7,29	

CAPS	 838 Ø17 Aluminium caps Page 173	 838 Ø18 Brass caps Page 175	 838 Ø18 Nylon caps Page 175	 839 Ø18 Brass caps Page 178	 846 Ø17 Aluminium caps Page 180
------	---	---	---	---	--

Short link



www.ottau.it - MIXACTA 2D 482 Ø16

BIXACTA

CE

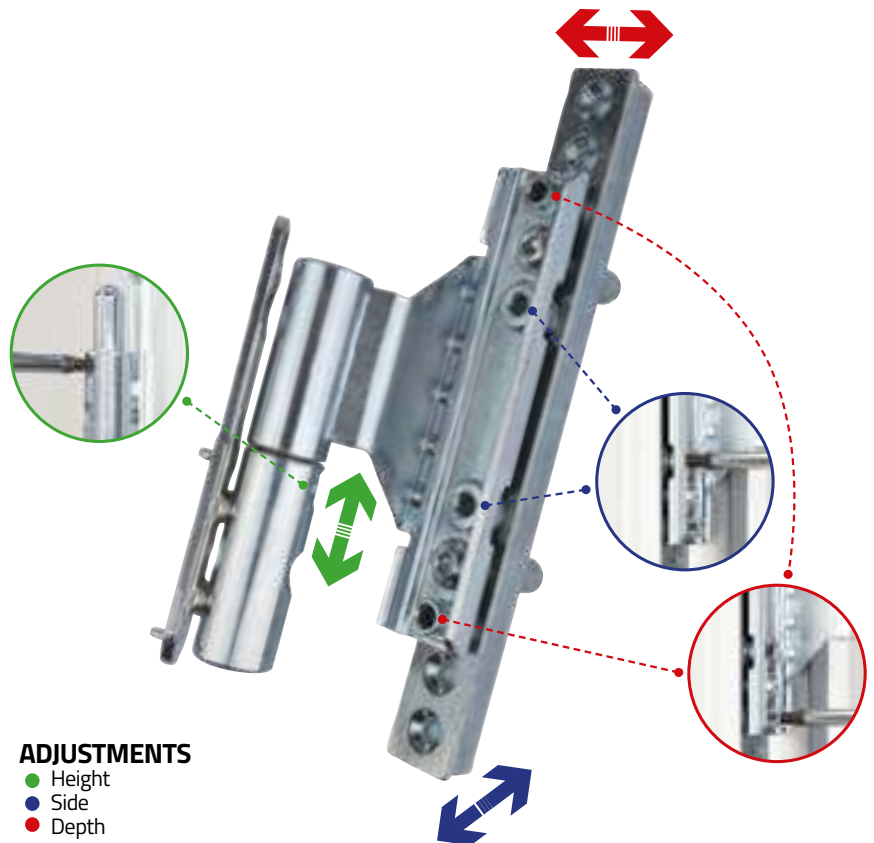
3D

80kg



PVC

CE certified hinge, the door part is suitable to be fitted in the **European groove axis 13 mm or axis 9 mm** with 12 mm clearance. The male part is available with three different types of pegs and two plate models. Discreet, elegant hinge distinguished by ease of installation and **three-dimensional adjustment** with the door fitted. Available in different kind of finishing, suitable for wooden door equipped with European groove.



ADJUSTMENTS

- Height
- Side
- Depth

BIXACTA 483 Ø16

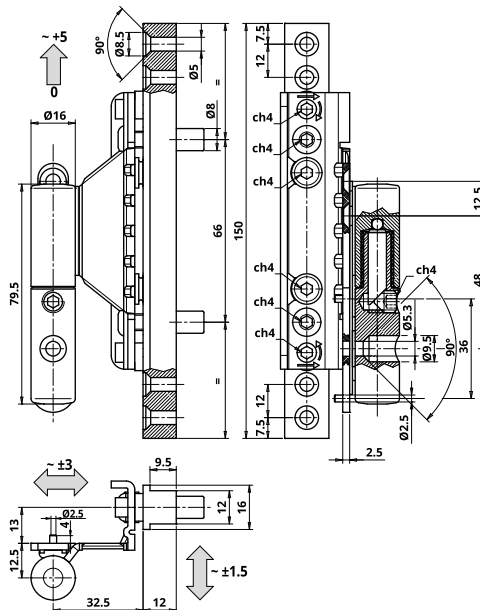
3D adjustable hinge for profiles with European groove with 13 mm axis - male part on plate pegs Ø2,5x4 mm - DIN left



Zinc Plated 12μ



3 7 4 0 1 2 0 1 1



CODE	FINISHING	WEIGHT	Pcs / Box	PRICE PCS.	TOT.
 CF483160H510 Door part	Zinc Plated 12μ	264,9 gr.	48 4 x 12 (Box x pcs. each)	€ 15,40	€ 20,37
 CG482160H504 Frame part	Zinc Plated 12μ	95 gr.	192 4 x 48 (Box x pcs. each)	€ 4,97	
 CI4831609F52 Complete hinge	Grey (9F)	366,8 gr.	24 4 x 6 (Box x pcs. each)	€ 24,09	
 GC8381709F52 Aluminium caps	Grey (9F)	3,32 gr.	160 4 x 40 (Box x pcs. each)	€ 1,646	
 CI483160P303 Complete hinge	White (RAL 9010)	366,8 gr.	24 4 x 6 (Box x pcs. each)	€ 22,11	
 GC838180Y305 Nylon cap	White Nylon (RAL 9010)	2,41 gr.	480 4 x 120 (Box x pcs. each)	€ 0,221	
 GC846170P302 Aluminium cap	White (RAL 9010)	3,42 gr.	160 4 x 40 (Box x pcs. each)	€ 1,616	
 CI483160PI02 Complete hinge	White (RAL 9016)	366,8 gr.	24 4 x 6 (Box x pcs. each)	€ 22,11	
 GC838170PI02 Aluminium cap	White (RAL 9016)	3,32 gr.	160 4 x 40 (Box x pcs. each)	€ 1,79	
 GC838180Y603 Nylon cap	White Nylon (RAL 9016)	2,41 gr.	480 4 x 120 (Box x pcs. each)	€ 0,221	
 GC846170PI02 Aluminium cap	White (RAL 9016)	3,42 gr.	160 4 x 40 (Box x pcs. each)	€ 1,91	

TOOLS	MA703483G002 Aluminium toolkit for overlay doors Page 153	MC703483G010 Aluminium jig for overlay doors Page 157	MU803483G002 Rod Page 163
-------	---	---	---------------------------------

CAPS	838 Ø17 Aluminium caps Page 173	838 Ø18 Brass caps Page 175	838 Ø18 Nylon caps Page 175	839 Ø18 Brass caps Page 178	846 Ø17 Aluminium caps Page 180
------	---------------------------------------	-----------------------------------	-----------------------------------	-----------------------------------	---------------------------------------

Short link



www.otlav.it - BIXACTA 483 Ø16

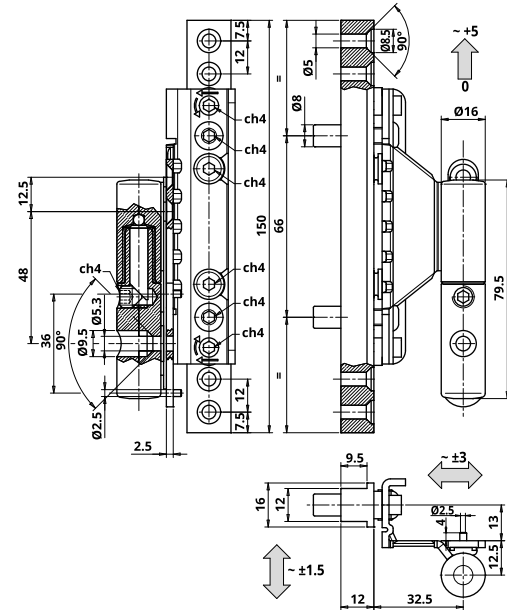
3D adjustable hinge for profiles with European groove with 13 mm axis - male part on plate pegs Ø2,5x4 mm - DIN right




Zinc Plated 12µ








3 7 4 0 1 2 0 11



CODE	FINISHING	WEIGHT	Pcs / Box	PRICE PCS.	TOT.
 CF483160H511 Door part	Zinc Plated 12µ	264,9 gr.	48 4 x 12 (Box x pcs. each)	€ 15,40	€ 20,37
 CG482160H504 Frame part	Zinc Plated 12µ	95 gr.	192 4 x 48 (Box x pcs. each)	€ 4,97	
 CI4831609F54 Complete hinge	Grey (9F)	366,8 gr.	24 4 x 6 (Box x pcs. each)	€ 24,09	
 GC8381709F52 Aluminium caps	Grey (9F)	3,32 gr.	160 4 x 40 (Box x pcs. each)	€ 1,646	
 CI483160P307 Complete hinge	White (RAL 9010)	366,8 gr.	24 4 x 6 (Box x pcs. each)	€ 22,11	
 GC838180Y305 Nylon cap	White Nylon (RAL 9010)	2,41 gr.	480 4 x 120 (Box x pcs. each)	€ 0,221	
 GC846170P302 Aluminium cap	White (RAL 9010)	3,42 gr.	160 4 x 40 (Box x pcs. each)	€ 1,616	
 CI483160PI04 Complete hinge	White (RAL 9016)	366,8 gr.	24 4 x 6 (Box x pcs. each)	€ 22,11	
 GC838170PI02 Aluminium cap	White (RAL 9016)	3,32 gr.	160 4 x 40 (Box x pcs. each)	€ 1,79	
 GC838180Y603 Nylon cap	White Nylon (RAL 9016)	2,41 gr.	480 4 x 120 (Box x pcs. each)	€ 0,221	
 GC846170PI02 Aluminium cap	White (RAL 9016)	3,42 gr.	160 4 x 40 (Box x pcs. each)	€ 1,91	

TOOLS	 MA703483G002 Aluminium toolkit for overlay doors Page 153	 MC703483G010 Aluminium jig for overlay doors Page 157	 MU803483G002 Rod Page 163
--------------	--	--	--

CAPS	 838 Ø17 Aluminium caps Page 173	 838 Ø18 Brass caps Page 175	 838 Ø18 Nylon caps Page 175	 839 Ø18 Brass caps Page 178	 846 Ø17 Aluminium caps Page 180
-------------	--	--	--	--	---

Short link



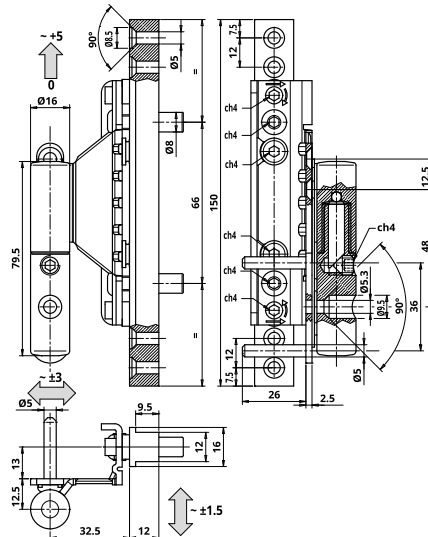
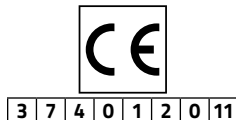
www.otlav.it - BIXACTA 483 Ø16



BIXACTA 483 Ø16








3D adjustable hinge for profiles with European groove with 13 mm axis - male part on plate pegs Ø5x26 mm - DIN left



Zinc Plated 12µ



CODE	FINISHING	WEIGHT	Pcs / Box	PRICE PCS.	Tot.
 CF483160H510 Door part	Zinc Plated 12µ	264,9 gr.	48 4 x 12 (Box x pcs. each)	€ 15,40	€ 22,69
 CG482160H517 Frame part	Zinc Plated 12µ	102 gr.	96 8 x 12 (Box x pcs. each)	€ 7,29	

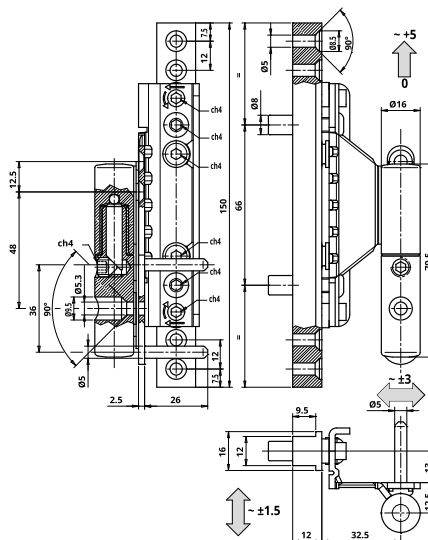
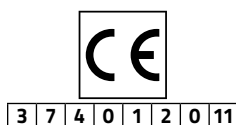
TOOLS  MC703483G010 Aluminium jig for overlay doors Page 157	CAPS  838 Ø17 Aluminium caps Page 173	 838 Ø18 Brass caps Page 175	 838 Ø18 Nylon caps Page 175	 839 Ø18 Brass caps Page 178	 846 Ø17 Aluminium caps Page 180	Short link  www.otlav.it - BIXACTA 483 Ø16



BIXACTA 483 Ø16








3D adjustable hinge for profiles with European groove with 13 mm axis - male part on plate pegs Ø5x26 mm - DIN right



Zinc Plated 12µ



CODE	FINISHING	WEIGHT	Pcs / Box	PRICE PCS.	Tot.
 CF483160H511 Door part	Zinc Plated 12µ	264,9 gr.	48 4 x 12 (Box x pcs. each)	€ 15,40	€ 22,69
 CG482160H517 Frame part	Zinc Plated 12µ	102 gr.	96 8 x 12 (Box x pcs. each)	€ 7,29	

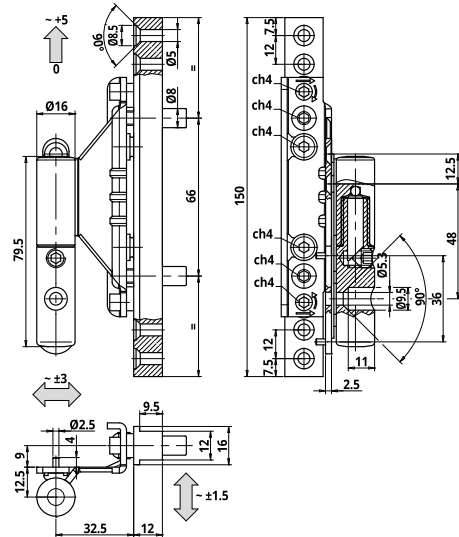
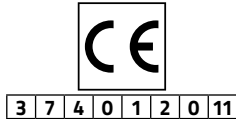
TOOLS  MC703483G010 Aluminium jig for overlay doors Page 157	CAPS  838 Ø17 Aluminium caps Page 173	 838 Ø18 Brass caps Page 175	 838 Ø18 Nylon caps Page 175	 839 Ø18 Brass caps Page 178	 846 Ø17 Aluminium caps Page 180	Short link  www.otlav.it - BIXACTA 483 Ø16



BIXACTA 483 Ø16








3D adjustable hinge for profiles with European groove with 9 mm axis - male part on plate pegs Ø2,5x4 mm - DIN left



Zinc Plated 12µ



CODE	FINISHING	WEIGHT	Pcs / Box	PRICE PCS.	TOT.
 CF483160H515 Door part	Zinc Plated 12µ	255,9 gr.	48 4 x 12(Box x pcs. each)	€ 15,40	€ 20,37
 CG482160H504 Frame part	Zinc Plated 12µ	95 gr.	192 4 x 48(Box x pcs. each)	€ 4,97	

TOOLS	CAPS	838 Ø17	838 Ø18	838 Ø18	839 Ø18	846 Ø17	Short link
 MC703483G010 Aluminium jig for overlay doors Page 157	 838 Ø17 Aluminium caps Page 173	 838 Ø18 Brass caps Page 175	 838 Ø18 Nylon caps Page 175	 839 Ø18 Brass caps Page 178	 846 Ø17 Aluminium caps Page 180		

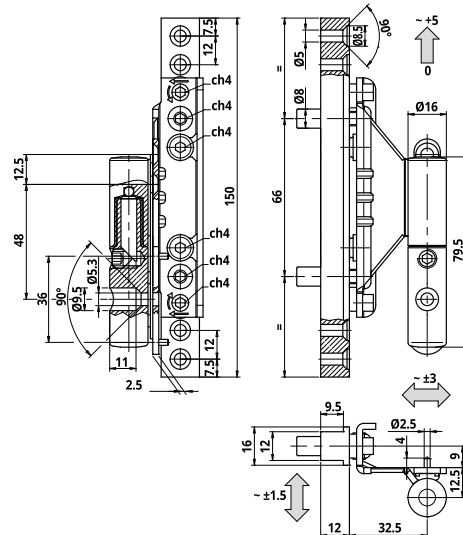
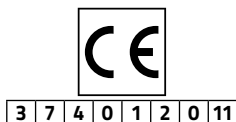
www.otlav.it - BIXACTA 483 Ø16



BIXACTA 483 Ø16








3D adjustable hinge for profiles with European groove with 9 mm axis - male part on plate pegs Ø2,5x4 mm - DIN right



Zinc Plated 12µ



CODE	FINISHING	WEIGHT	Pcs / Box	PRICE PCS.	TOT.
 CF483160H519 Door part	Zinc Plated 12µ	255,9 gr.	48 4 x 12(Box x pcs. each)	€ 15,40	€ 20,37
 CG482160H504 Frame part	Zinc Plated 12µ	95 gr.	192 4 x 48(Box x pcs. each)	€ 4,97	

TOOLS	CAPS	838 Ø17	838 Ø18	838 Ø18	839 Ø18	846 Ø17	Short link
 MC703483G010 Aluminium jig for overlay doors Page 157	 838 Ø17 Aluminium caps Page 173	 838 Ø18 Brass caps Page 175	 838 Ø18 Nylon caps Page 175	 839 Ø18 Brass caps Page 178	 846 Ø17 Aluminium caps Page 180		

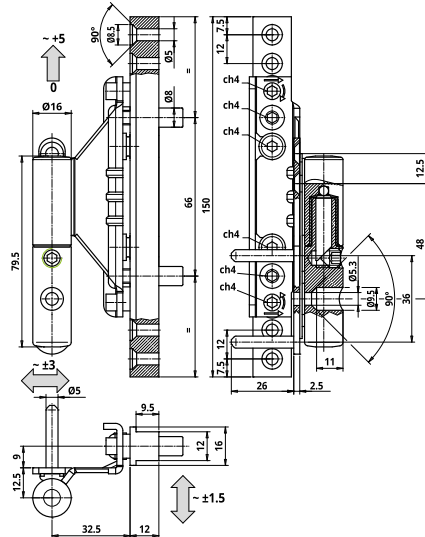
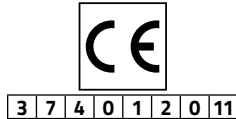
www.otlav.it - BIXACTA 483 Ø16



BIXACTA 483 Ø16








3D adjustable hinge for profiles with European groove with 9 mm axis - male part on plate pegs Ø5x26 mm - DIN left



Zinc Plated 12µ



CODE	FINISHING	WEIGHT	Pcs / Box	PRICE PCS.	Tot.
 CF483160H515 Door part	Zinc Plated 12µ	255,9 gr.	48 4 x 12 (Box x pcs. each)	€ 15,40	€ 22,69
 CG482160H517 Frame part	Zinc Plated 12µ	102 gr.	96 8 x 12 (Box x pcs. each)	€ 7,29	

TOOLS	CAPS	Short link				
 MC703483G010 Aluminium jig for overlay doors Page 157	 838 Ø17 Aluminium caps Page 173	 838 Ø18 Brass caps Page 175	 838 Ø18 Nylon caps Page 175	 839 Ø18 Brass caps Page 178	 846 Ø17 Aluminium caps Page 180	

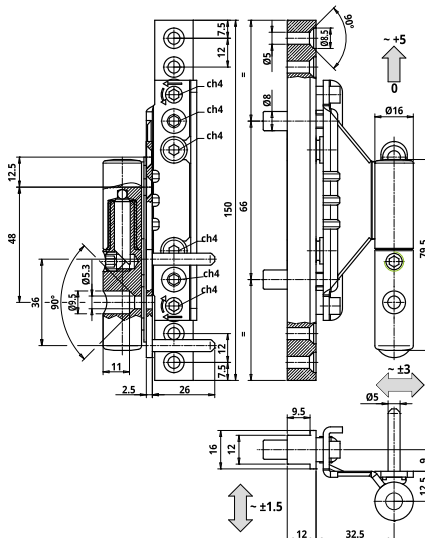
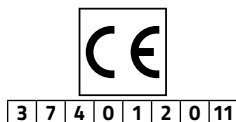
www.otlav.it - BIXACTA 483 Ø16



BIXACTA 483 Ø16








3D adjustable hinge for profiles with European groove with 9 mm axis - male part on plate pegs Ø5x26 mm - DIN right



Zinc Plated 12µ



CODE	FINISHING	WEIGHT	Pcs / Box	PRICE PCS.	Tot.
 CF483160H519 Door part	Zinc Plated 12µ	255,9 gr.	48 4 x 12 (Box x pcs. each)	€ 15,40	€ 22,69
 CG482160H517 Frame part	Zinc Plated 12µ	102 gr.	96 8 x 12 (Box x pcs. each)	€ 7,29	

TOOLS	CAPS	Short link				
 MC703483G010 Aluminium jig for overlay doors Page 157	 838 Ø17 Aluminium caps Page 173	 838 Ø18 Brass caps Page 175	 838 Ø18 Nylon caps Page 175	 839 Ø18 Brass caps Page 178	 846 Ø17 Aluminium caps Page 180	

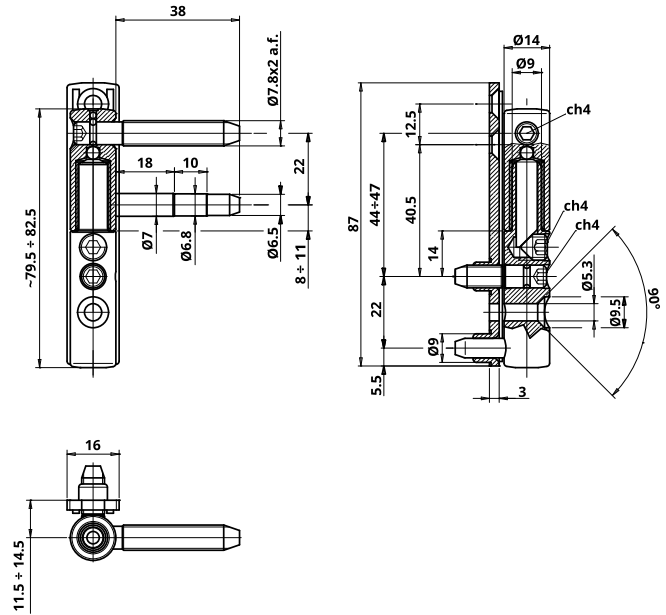
www.otlav.it - BIXACTA 483 Ø16






MIXACTA 3D 486 Ø14

3D adjustable hinge - female EXACTA - male part on plate



White (RAL 9016)



CODE	FINISHING	WEIGHT	Pcs / Box	PRICE PCS.	TOT.
 CF495140PI03 Door part	White (RAL 9016)	52,8 gr.	200 4 x 50 (Box x pcs. each)	€ 2,725	€ 6,685
 CG486140PI03 Frame part	White (RAL 9016)	91,72 gr.	200 4 x 50 (Box x pcs. each)	€ 3,96	
 GC838150PI02 Aluminium cap	White (RAL 9016)	2,68 gr.	680 4 x 170 (Box x pcs. each)	€ 1,22	
 GC838160Y602 Nylon cap	White Nylon (RAL 9016)	2,01 gr.	720 4 x 180 (Box x pcs. each)	€ 0,221	
 GC846150PI02 Aluminium cap	White (RAL 9016)	2,95 gr.	180 4 x 45 (Box x pcs. each)	€ 1,571	

Short link



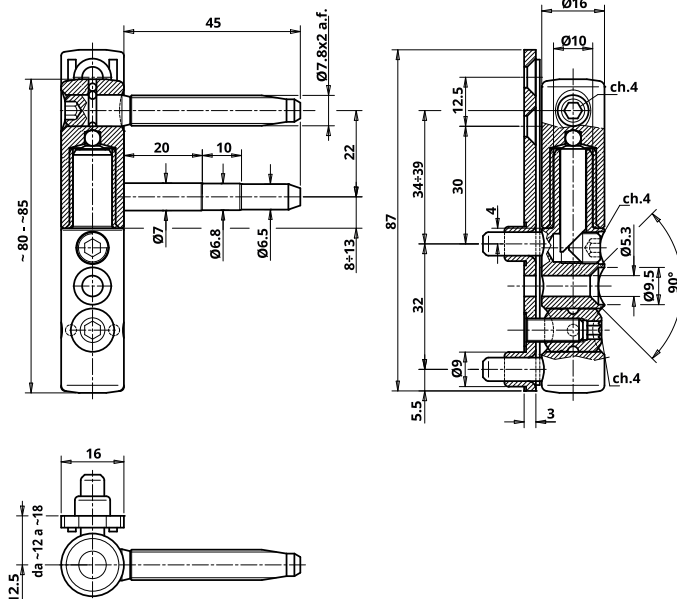
www.otlav.it - MIXACTA 3D 486 Ø14







MIXACTA 3D 486 Ø16

3D adjustable hinge - male part on plate - female part EXACTA



Grey (9F)



CODE	FINISHING	WEIGHT	Pcs / Box	PRICE PCS.	TOT.
 CF4951609F60 Door part	Grey (9F)	66 gr.	200 4 x 50 (Box x pcs. each)	€ 3,25	€ 10,11
 CG4861609F53 Frame part	Grey (9F)	99 gr.	200 4 x 50 (Box x pcs. each)	€ 6,86	
 GC8381709F52 Aluminium caps	Grey (9F)	3,32 gr.	160 4 x 40 (Box x pcs. each)	€ 1,646	
 CF495160PI03 Door part	White (RAL 9016)	66 gr.	200 4 x 50 (Box x pcs. each)	€ 2,95	€ 9,19
 CG486160PI03 Frame part	White (RAL 9016)	99 gr.	200 4 x 50 (Box x pcs. each)	€ 6,24	
 GC838170PI02 Aluminium cap	White (RAL 9016)	3,32 gr.	160 4 x 40 (Box x pcs. each)	€ 1,79	
 GC838180Y603 Nylon cap	White Nylon (RAL 9016)	2,41 gr.	480 4 x 120 (Box x pcs. each)	€ 0,221	
 GC846170PI02 Aluminium cap	White (RAL 9016)	3,42 gr.	160 4 x 40 (Box x pcs. each)	€ 1,91	

Short link

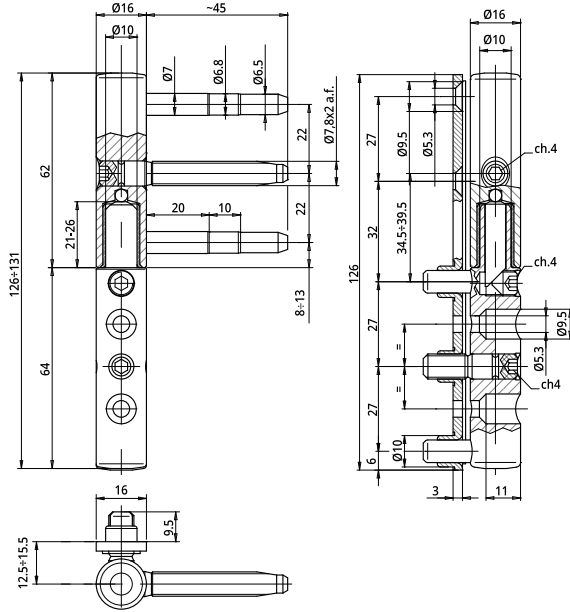


www.otlav.it - MIXACTA 3D 486 Ø16


3D adjustable hinge - Female part with 3 pins 7,8x45 mm - male part on plate



White



PVC

CODE	FINISHING	WEIGHT	Pcs / Box	PRICE PCS.
 CF4951609F20 Door part	Grey (9F)	116 gr.	100 4 x 25 (Box x pcs. each)	On request
 CG4871609F03 Frame part	Grey (9F)	146 gr.	100 4 x 25 (Box x pcs. each)	On request
 GC838170JC06 Aluminium caps	Satinized Nickel Plated	4 gr.	240 8 x 30 (Box x pcs. each)	€ 3,17
 CF4951609P20 Door part	White (RAL 9016)	116 gr.	100 4 x 25 (Box x pcs. each)	On request
 CG4871609P03 Frame part	White (RAL 9016)	146 gr.	100 4 x 25 (Box x pcs. each)	On request
 GC8381709P02 Aluminium caps	White Nylon (RAL 9016)	4 gr.	160 4 x 40 (Box x pcs. each)	On request

Short link



www.ottav.it - URSUS PVC 487 Ø16

ROLLACTA R3

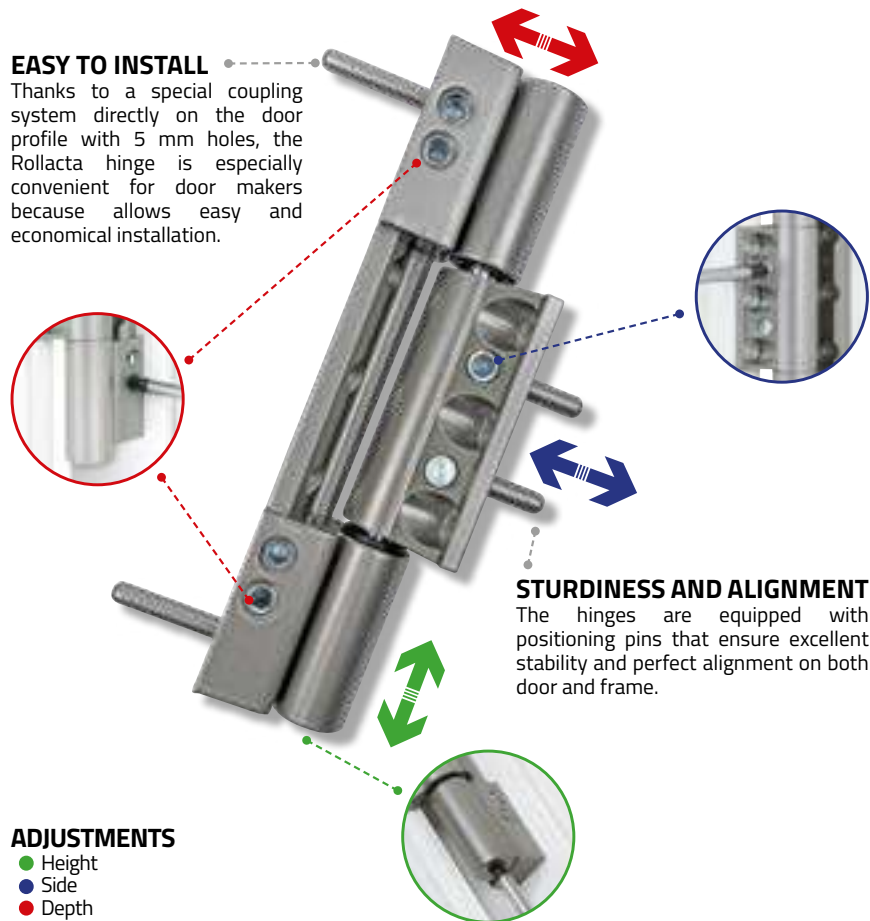
Designed to fulfill modern design needs and high quality manufacturing standards, Rollacta is the ideal solution for uPVC doors.

The special cylindrical shape blends seamlessly with sash and frame for elegant door design solution and always leaves the seal unscathed ensuring high thermal and acoustic insulation values.



EASY TO INSTALL

Thanks to a special coupling system directly on the door profile with 5 mm holes, the Rollacta hinge is especially convenient for door makers because allows easy and economical installation.



STURDINESS AND ALIGNMENT

The hinges are equipped with positioning pins that ensure excellent stability and perfect alignment on both door and frame.

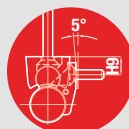
ADJUSTMENTS

- Height
- Side
- Depth

Available in 6 different versions that enable the use on the most common PVC profiles



Height 9 mm
Not Inclined



Height 9 mm
Inclined 5°



Height 10,5 mm
Not Inclined



Height 10,5 mm
Inclined 5°



Height 12 mm
Not Inclined



Height 12 mm
Inclined 5°

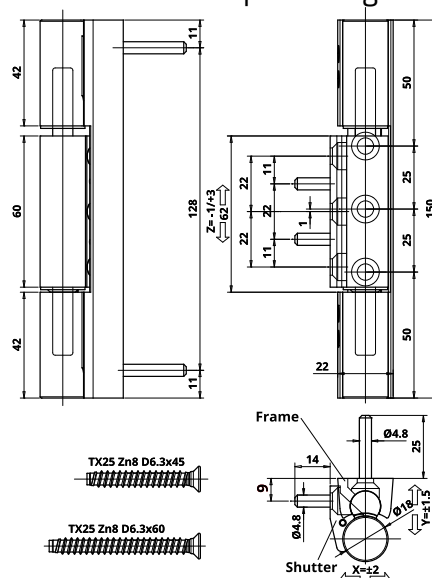
* Tested with 90x210 cm doors - For more information on the number of hinges to be used according to the weight and dimension of the door, please see the loading charts available on the website www.otlav.it.

ROLLACTA R3 090

3 parts hinge - H 9 - DIN right



White (RAL 9016)



PVC

CODE	FINISHING	WEIGHT	Pcs / Box	PRICE PCS.
R30900D09F02 Complete hinge	Grey (9F)	537,8 gr.	9* 3 x 3 (Box x pcs. each)	On request
R30900D0PI02 Complete hinge	White (RAL 9016)	537,8 gr.	9* 3 x 3 (Box x pcs. Each)	€ 41,50

TOOLS

MR A
Aluminium jig for
overlay doors
Page 166

*Each box includes: 3 complete hinges, 3 caps kit, 9 screws T25 Ø6.3x60 to be used with the shutter part and 9 Screws T25 Ø6.3x45 to be used with the frame part.

Short link

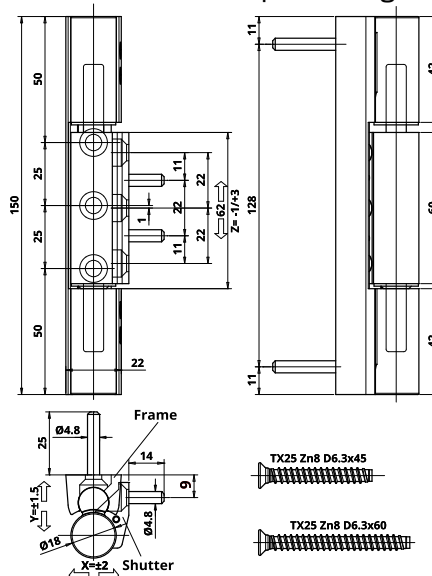
www.otlav.it - ROLLACTA R3 090

ROLLACTA R3 090

3 parts hinge - H 9 - DIN left



Grey (9F)



CODE	FINISHING	WEIGHT	Pcs / Box	PRICE PCS.
R30900S09F02 Complete hinge	Grey (9F)	537,8 gr.	9* 3 x 3 (Box x pcs. Each)	€ 41,50
R30900S0PI02 Complete hinge	White (RAL 9016)	537,8 gr.	9* 3 x 3 (Box x pcs. Each)	€ 41,50

TOOLS

MR A
Aluminium jig for
overlay doors
Page 166

*Each box includes: 3 complete hinges, 3 caps kit, 9 screws T25 Ø6.3x60 to be used with the shutter part and 9 Screws T25 Ø6.3x45 to be used with the frame part.

Short link

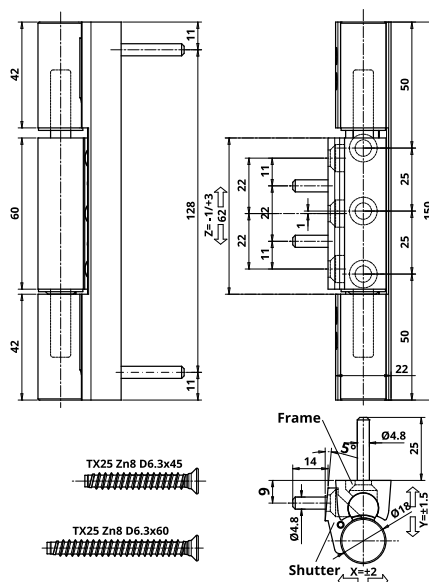
www.otlav.it - ROLLACTA R3 090



ROLLACTA R3 090

3 parts hinge - H 9 - inclined 5° - DIN right



White (RAL 9016)



CODE	FINISHING	WEIGHT	Pcs / Box	PRICE PCS.
 R30900D59F02 Complete hinge	Grey (9F)	538,1 gr.	9* 3 x 3 (Box x pcs. each)	On request
 R30900D5PI02 Complete hinge	White (RAL 9016)	538,1 gr.	9* 3 x 3 (Box x pcs. Each)	€ 41,50

*Each box includes: 3 complete hinges, 3 caps kit, 9 screws T25 Ø6.3x60 to be used with the shutter part and 9 Screws T25 Ø6.3x45 to be used with the frame part.

Short link



www.otlav.it - ROLLACTA R3 090

TOOLS



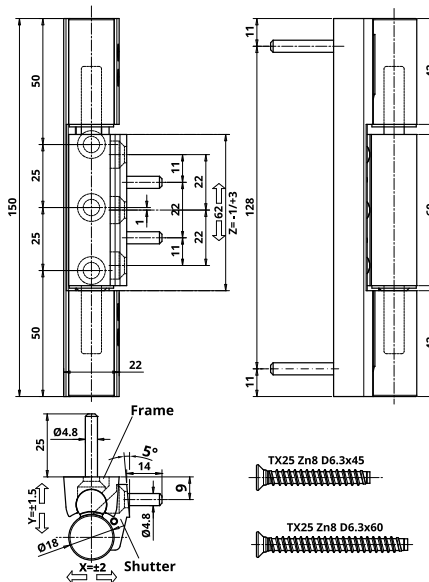
MR A
Aluminium jig for
overlay doors
Page 166



ROLLACTA R3 090

3 parts hinge - H 9 - inclined 5° - DIN left



Grey (9F)



CODE	FINISHING	WEIGHT	Pcs / Box	PRICE PCS.
 R30900S59F02 Complete hinge	Grey (9F)	538,1 gr.	9* 3 x 3 (Box x pcs. Each)	€ 41,50
 R30900S5PI02 Complete hinge	White (RAL 9016)	538,1 gr.	9* 3 x 3 (Box x pcs. Each)	€ 41,50

*Each box includes: 3 complete hinges, 3 caps kit, 9 screws T25 Ø6.3x60 to be used with the shutter part and 9 Screws T25 Ø6.3x45 to be used with the frame part.

Short link



www.otlav.it - ROLLACTA R3 090

TOOLS



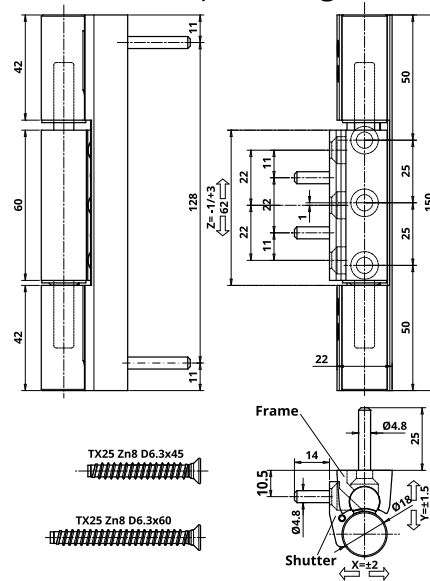
MR A
Aluminium jig for
overlay doors
Page 166

ROLLACTA R3 105

3 parts hinge - H 10,5 - DIN right



White (RAL 9016)



CODE	FINISHING	WEIGHT	Pcs / Box	PRICE PCS.
R31050D09F02 Complete hinge	Grey (9F)	553,8 gr.	9* 3 x 3 (Box x pcs. Each)	€ 41,50
R31050D0PI02 Complete hinge	White (RAL 9016)	553,8 gr.	9* 3 x 3 (Box x pcs. Each)	€ 41,50

TOOLS

MR A
Aluminium jig for
overlay doors
Page 166

*Each box includes: 3 complete hinges, 3 caps kit, 9 screws T25 Ø6.3x60 to be used with the shutter part and 9 Screws T25 Ø6.3x45 to be used with the frame part.

Short link

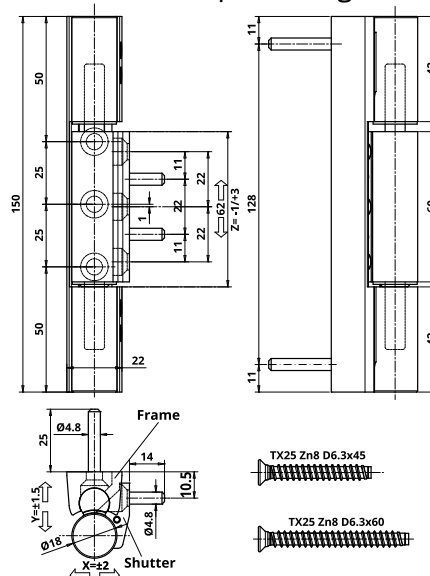
www.otlav.it - ROLLACTA R3 105

ROLLACTA R3 105

3 parts hinge - H 10,5 - DIN left



White (RAL 9016)



CODE	FINISHING	WEIGHT	Pcs / Box	PRICE PCS.
R31050S09F02 Complete hinge	Grey (9F)	553,8 gr.	9* 3 x 3 (Box x pcs. Each)	€ 41,50
R31050S0PI02 Complete hinge	White (RAL 9016)	553,8 gr.	9* 3 x 3 (Box x pcs. Each)	€ 41,50

TOOLS

MR A
Aluminium jig for
overlay doors
Page 166

*Each box includes: 3 complete hinges, 3 caps kit, 9 screws T25 Ø6.3x60 to be used with the shutter part and 9 Screws T25 Ø6.3x45 to be used with the frame part.

Short link

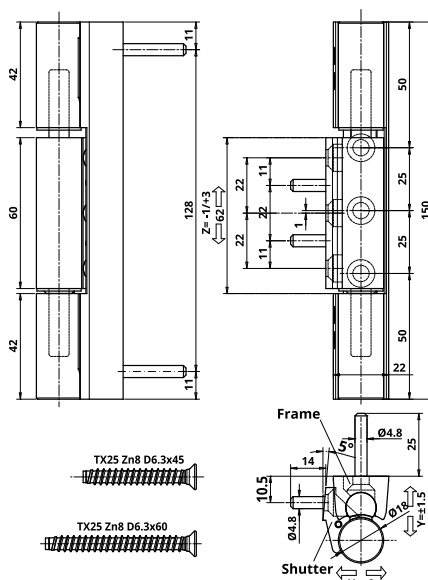
www.otlav.it - ROLLACTA R3 105

ROLLACTA R3 105

3 parts hinge - H 10,5 - inclined 5° - DIN right



Grey (9F)



CODE	FINISHING	WEIGHT	Pcs / Box	PRICE PCS.
R31050D59F02 Complete hinge	Grey (9F)	554,1 gr.	9* 3 x 3 (Box x pcs. Each)	€ 41,50
R31050D5PI02 Complete hinge	White (RAL 9016)	554,1 gr.	9* 3 x 3 (Box x pcs. each)	On request

TOOLS

MR A
Aluminium jig for overlay doors
Page 166

*Each box includes: 3 complete hinges, 3 caps kit, 9 screws T25 Ø6.3x60 to be used with the shutter part and 9 Screws T25 Ø6.3x45 to be used with the frame part.

Short link

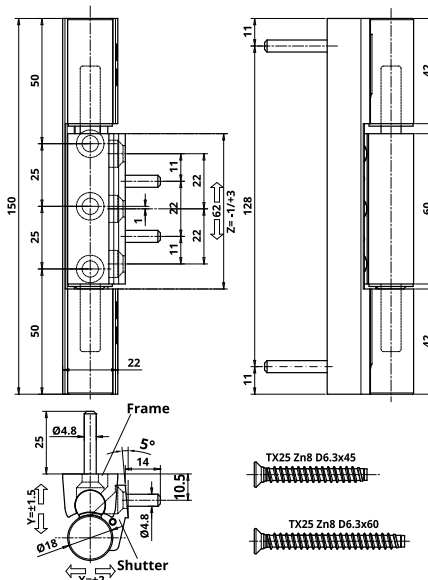
www.otlav.it - ROLLACTA R3 105

ROLLACTA R3 105

3 parts hinge - H 10,5 - inclined 5° - DIN left



Grey (9F)



CODE	FINISHING	WEIGHT	Pcs / Box	PRICE PCS.
R31050S59F02 Complete hinge	Grey (9F)	554,1 gr.	9* 3 x 3 (Box x pcs. Each)	€ 41,50
R31050S5PI02 Complete hinge	White (RAL 9016)	554,1 gr.	9* 3 x 3 (Box x pcs. each)	On request

TOOLS

MR A
Aluminium jig for overlay doors
Page 166

*Each box includes: 3 complete hinges, 3 caps kit, 9 screws T25 Ø6.3x60 to be used with the shutter part and 9 Screws T25 Ø6.3x45 to be used with the frame part.

Short link

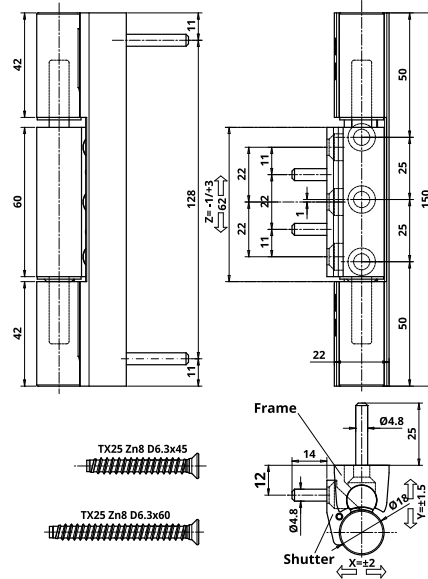
www.otlav.it - ROLLACTA R3 105

ROLLACTA R3 120

3 parts hinge - H 12 - DIN right



White (RAL 9016)



CODE	FINISHING	WEIGHT	Pcs / Box	PRICE PCS.
R31200D09F02 Complete hinge	Grey (9F)	563,3 gr.	9* 3 x 3 (Box x pcs. Each)	€ 41,50
R31200D0PI02 Complete hinge	White (RAL 9016)	563,3 gr.	9* 3 x 3 (Box x pcs. Each)	€ 41,50

Tools

MR A
Aluminium jig for overlay doors
Page 166

*Each box includes: 3 complete hinges, 3 caps kit, 9 screws T25 Ø6.3x60 to be used with the shutter part and 9 Screws T25 Ø6.3x45 to be used with the frame part.

Short link

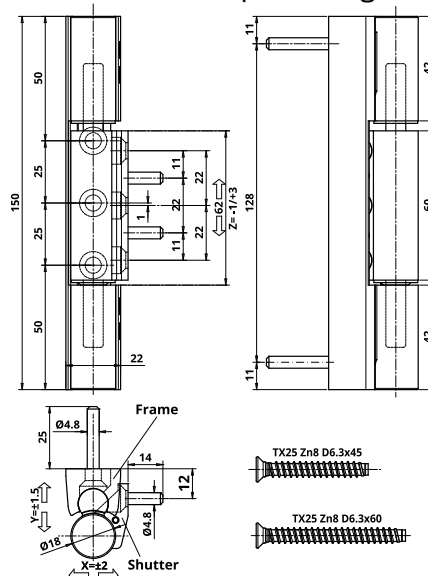
www.otlav.it - ROLLACTA R3 120

ROLLACTA R3 120

3 parts hinge - H 12 - DIN left



Grey (9F)



CODE	FINISHING	WEIGHT	Pcs / Box	PRICE PCS.
R31200S09F02 Complete hinge	Grey (9F)	563,3 gr.	9* 3 x 3 (Box x pcs. Each)	€ 41,50
R31200S0PI02 Complete hinge	White (RAL 9016)	563,3 gr.	9* 3 x 3 (Box x pcs. Each)	€ 41,50

Tools

MR A
Aluminium jig for overlay doors
Page 166

*Each box includes: 3 complete hinges, 3 caps kit, 9 screws T25 Ø6.3x60 to be used with the shutter part and 9 Screws T25 Ø6.3x45 to be used with the frame part.

Short link

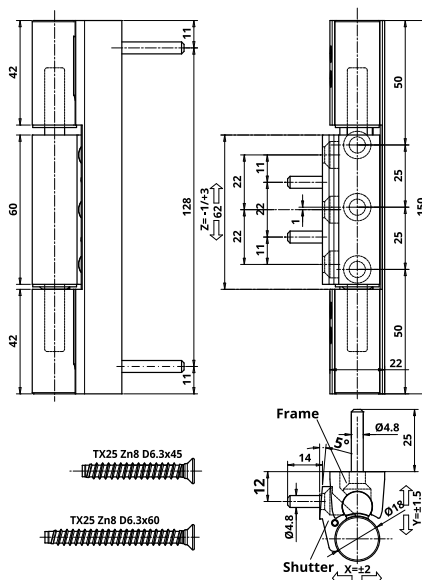
www.otlav.it - ROLLACTA R3 120



ROLLACTA R3 120

3 parts hinge - H 12 - inclined 5° - DIN right



White (RAL 9016)



CODE	FINISHING	WEIGHT	Pcs / Box	PRICE PCS.
 R31200D59F02 Complete hinge	Grey (9F)	563,6 gr.	9* 3 x 3 (Box x pcs. each)	On request
 R31200D5PI02 Complete hinge	White (RAL 9016)	563,6 gr.	9* 3 x 3 (Box x pcs. Each)	€ 41,50

TOOLS



MR A
Aluminium jig for
overlay doors
Page 166

*Each box includes: 3 complete hinges, 3 caps kit, 9 screws T25 Ø6.3x60 to be used with the shutter part and 9 Screws T25 Ø6.3x45 to be used with the frame part.

Short link



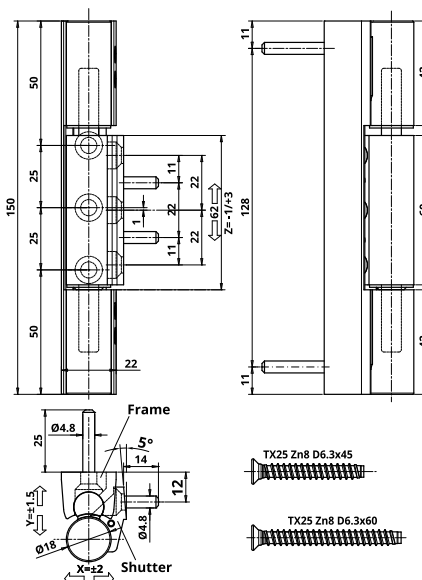
www.otlav.it - ROLLACTA R3 120



ROLLACTA R3 120

3 parts hinge - H 12 - inclined 5° - DIN left



Grey (9F)



CODE	FINISHING	WEIGHT	Pcs / Box	PRICE PCS.
 R31200S59F02 Complete hinge	Grey (9F)	563,6 gr.	9* 3 x 3 (Box x pcs. Each)	€ 41,50
 R31200S5PI02 Complete hinge	White (RAL 9016)	563,6 gr.	9* 3 x 3 (Box x pcs. Each)	€ 41,50

TOOLS



MR A
Aluminium jig for
overlay doors
Page 166

*Each box includes: 3 complete hinges, 3 caps kit, 9 screws T25 Ø6.3x60 to be used with the shutter part and 9 Screws T25 Ø6.3x45 to be used with the frame part.

Short link



www.otlav.it - ROLLACTA R3 120

STAINLESS STEEL

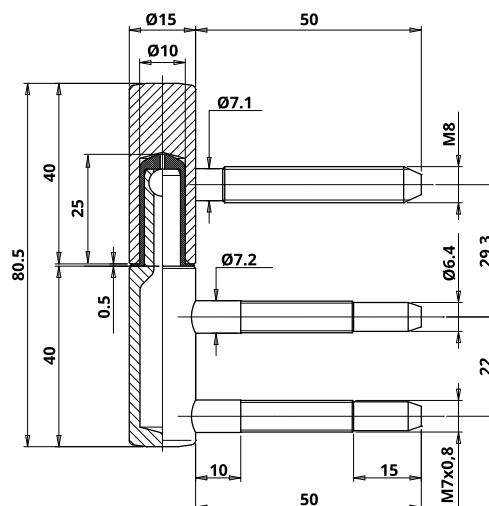
Hinges



101 Ø15

Stainless steel hinge - male part with nylon bush and 2 pins



Matt Stainless Steel



CODE	FINISHING	WEIGHT	Pcs / Box	PRICE PCS.	TOT.
 CF100150IM02 Female part	Matt Stainless Steel	52,27 gr.	240 4 x 60 (Box x pcs. each)	€ 6,55	€ 15,91
 CG101150IM03 Male part	Matt Stainless Steel	65,32 gr.	200 4 x 50 (Box x pcs. each)	€ 9,36	

Short link



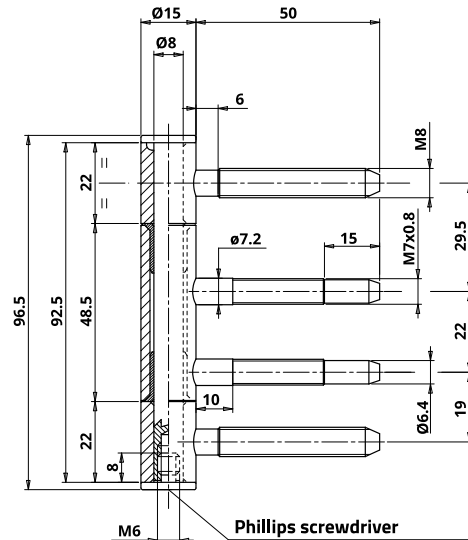
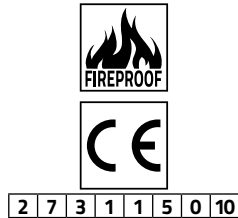
www.otlav.it - 101 Ø15

335 Ø15

3 bushes stainless steel hinge, central part with pins



Matt Stainless Steel



CODE	FINISHING	WEIGHT	Pcs / Box	PRICE PCS.	Tot.
CE022150IM02 2 lateral bushes with pivot and head	Matt Stainless Steel	116,5 gr.	160 4 x 40(Box x pcs. each)	€ 23,10	€ 33,26
CE048146IM02 Bush with two pins	Matt Stainless Steel	61,91 gr.	200 4 x 50(Box x pcs. each)	€ 10,16	

Short link



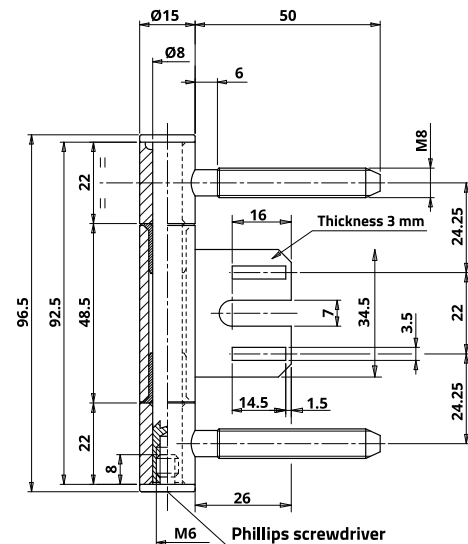
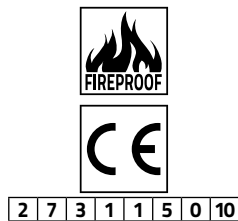
www.otlav.it - 335 Ø15

335 Ø15

3 bushes stainless steel hinge, central part with plate



Matt Stainless Steel



CODE	FINISHING	WEIGHT	Pcs / Box	PRICE PCS.	Tot.
CE022150IM02 2 lateral bushes with pivot and head	Matt Stainless Steel	116,5 gr.	160 4 x 40(Box x pcs. each)	€ 23,10	€ 36,63
CE047146IM02 Bush with plate	Matt Stainless Steel	49,2 gr.	200 4 x 50(Box x pcs. each)	€ 13,53	

Short link



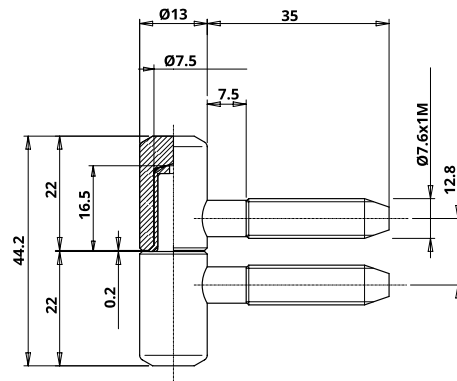
www.otlav.it - 335 Ø15


355 Ø13

Stainless steel hinge with nylon bush



Matt Stainless Steel



CODE	FINISHING	WEIGHT	Pcs / Box	PRICE PCS.
 CI355130IM02 Complete hinge	Matt Stainless Steel	65,05 gr.	80 2 x 40 (Box x pcs. each)	€ 9,06

TOOLS	MA701130G018 PVC toolkit for overlay doors Page 150	MC701130G060 PVC jig for overlay doors Page 155
		

Short link



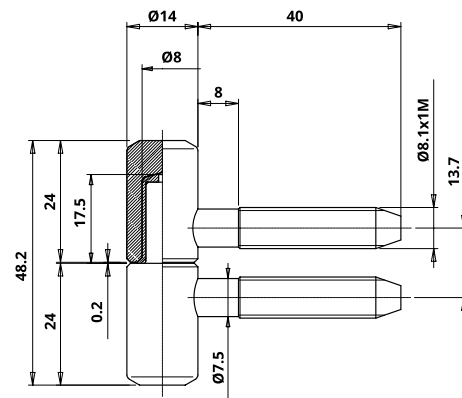
www.otlav.it - 355 Ø13


355 Ø14

Stainless steel hinge with nylon bush



Matt Stainless Steel



CODE	FINISHING	WEIGHT	Pcs / Box	PRICE PCS.
 CI355140IM02 Complete hinge	Matt Stainless Steel	82,8 gr.	80 2 x 40 (Box x pcs. each)	€ 9,93

TOOLS	MA700140G002 Wood toolkit for flush doors Page 148	MA701140G011 PVC toolkit for overlay doors Page 150	MC701140G060 PVC jig for overlay doors Page 155
			

Short link



www.otlav.it - 355 Ø14

EXACTA Ø16

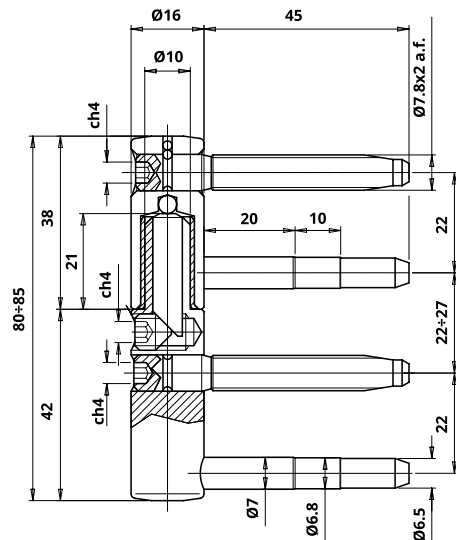
3D adjustable hinge - stainless steel - with nylon bush - pins 7,8x45 mm



Matt Stainless Steel



4 7 5 1 1 5 0 12



STAINLESS STEEL

CODE	FINISHING	WEIGHT	Pcs / Box	PRICE PCS.
CI495160IM02 Complete hinge	Matt Stainless Steel	159,77 gr.	120 8 x 15(Box x pcs. each)	€ 29,50

TOOLS



MA700160G006
PVC toolkit for flush doors
Page 148



MA701160G035
PVC toolkit for overlay doors
Page 150



MA801160G028
Rod
Page 154



MC701160G035
PVC jig for overlay doors
Page 155

Short link



www.otlav.it - EXACTA Ø16

EXACTA Ø20

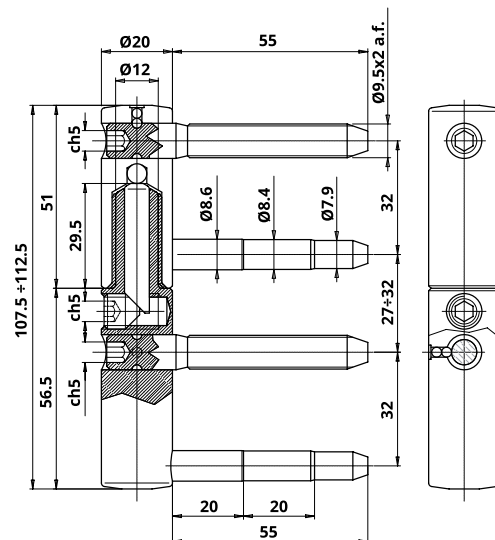
3D adjustable hinge - stainless steel - with nylon bush - pins 9,5x55 mm



Matt Stainless Steel



4 7 6 1 1 5 0 13



CODE	FINISHING	WEIGHT	Pcs / Box	PRICE PCS.
CI495200IM02 Complete hinge	Matt Stainless Steel	331,79 gr.	64 8 x 8(Box x pcs. each)	€ 56,00

TOOLS



MA700200G010
Wood toolkit for flush doors
Page 149



MA701200G014
PVC toolkit for overlay doors
Page 150



MC701200G009
PVC jig for overlay doors
Page 155

Short link



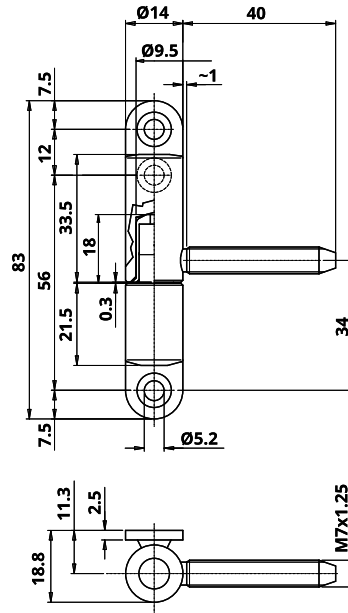
www.otlav.it - EXACTA Ø20



P50 Ø15

Stainless steel hinge with male part with plate and nylon bush



Natural



CODE	FINISHING	WEIGHT	Pcs / Box	PRICE PCS.
 CFP50150G003 Female part	Natural	43,95 gr.	360 4 x 90 (Box x pcs. each)	On request
 CGP50150G004 Male part	Natural	44,68 gr.	360 4 x 90 (Box x pcs. each)	On request

Short link



www.otlav.it - P50 Ø15

DIN-NORM

Hinges for German profiles

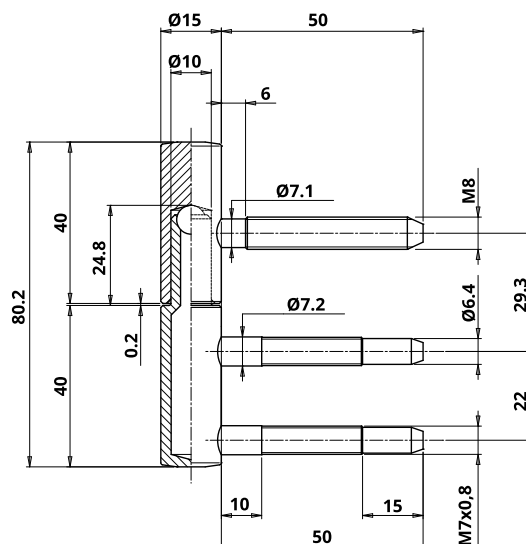




100 Ø15

Hinge 3 pins



Nickel Plated



CODE	FINISHING	WEIGHT	Pcs / Box	PRICE PCS.	Tot.
 CF100150N007 Female part	Nickel Plated	52,04 gr.	300 1 x 300 (Box x pcs. each)	€ 0,621	€ 1,532
 CG100150N026 Male part	Nickel Plated	65,16 gr.	200 1 x 200 (Box x pcs. each)	€ 0,911	

Short link



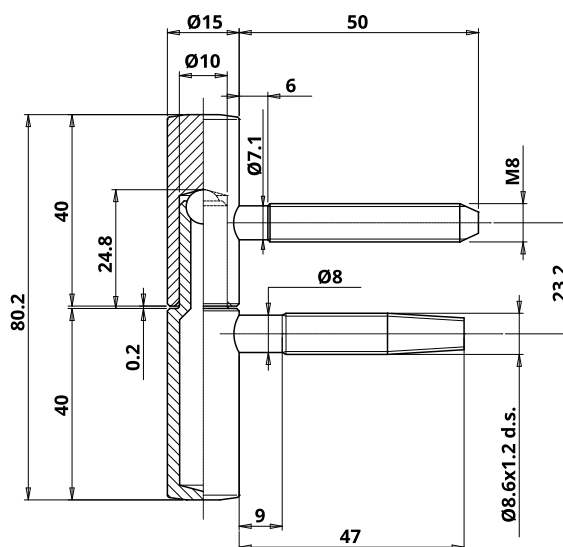
www.otlav.it - 100 Ø15



100 Ø15

Hinge 2 pins



Nickel Plated



CODE	FINISHING	WEIGHT	Pcs / Box	PRICE PCS.	Tot.
 CF100150N007 Female part	Nickel Plated	52,04 gr.	300 1 x 300 (Box x pcs. each)	€ 0,621	€ 1,498
 CG100150N030 Male part	Nickel Plated	53 gr.	300 1 x 300 (Box x pcs. each)	€ 0,877	

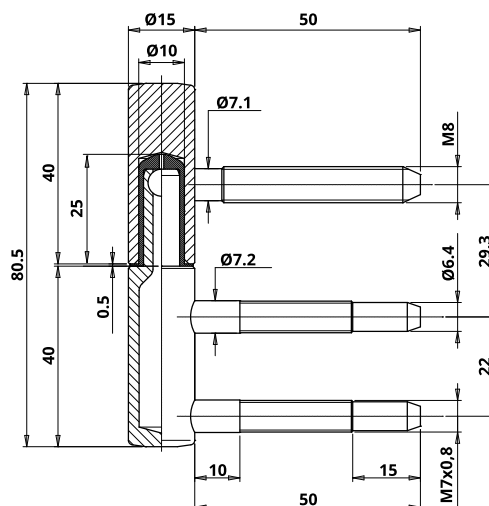
Short link













www.otlav.it - 100 Ø15



Matt Black



CODE	FINISHING	WEIGHT	Pcs / Box	PRICE PCS.	TOT.
 CF1001509N02 Female part	Matt Black	52,27 gr.	240 4 x 60 (Box x pcs. each)	€ 0,938	€ 2,442
 CG1011509N03 Male part	Matt Black	65,7 gr.	240 4 x 60 (Box x pcs. each)	€ 1,504	
 CF100150H004 Female part	Zinc Plated	52,27 gr.	300 1 x 300 (Box x pcs. each)	€ 0,49	€ 1,408
 CG101150H003 Male part	Zinc Plated	65,7 gr.	200 1 x 200 (Box x pcs. each)	€ 0,918	
 CF100150IM02 Female part	Matt Stainless Steel	52,27 gr.	240 4 x 60 (Box x pcs. each)	€ 6,55	€ 15,91
 CG101150IM03 Male part	Matt Stainless Steel	65,32 gr.	200 4 x 50 (Box x pcs. each)	€ 9,36	
 CF100150N007 Female part	Nickel Plated	52,04 gr.	300 1 x 300 (Box x pcs. each)	€ 0,621	€ 1,634
 CG101150N011 Male part	Nickel Plated	65,7 gr.	200 1 x 200 (Box x pcs. each)	€ 1,013	
 CF100150N402 Female part	Matt Nickel Plated	52,04 gr.	300 1 x 300 (Box x pcs. each)	€ 1,65	€ 3,403
 CG101150N406 Male part	Matt Nickel Plated	67,21 gr.	200 1 x 200 (Box x pcs. each)	€ 1,753	

Short link



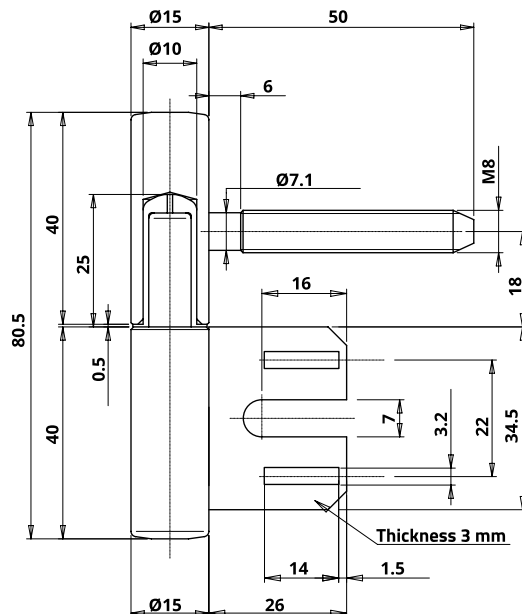
www.otlav.it - 101 Ø15



102 Ø15

Hinge with male part with plate and nylon bush



Nickel Plated



CODE	FINISHING	WEIGHT	Pcs / Box	PRICE PCS.	TOT.
 CF100150N007 Female part	Nickel Plated	52,04 gr.	300 1 x 300 (Box x pcs. each)	€ 0,621	€ 2,07
 CG102150N003 Male part with plate	Nickel Plated	56,73 gr.	250 1 x 250 (Box x pcs. each)	€ 1,449	

Short link



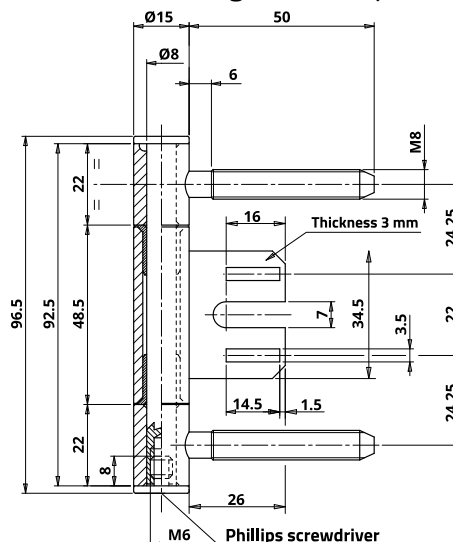
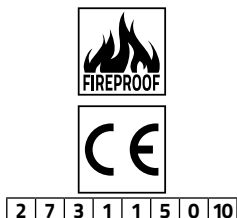
www.otlav.it - 102 Ø15



335 Ø15

3 bushes stainless steel hinge, central part with plate



Matt Stainless Steel



CODE	FINISHING	WEIGHT	Pcs / Box	PRICE PCS.	Tot.
 CE022150IM02 2 lateral bushes with pivot and head	Matt Stainless Steel	116,5 gr.	160 4 x 40(Box x pcs. each)	€ 23,10	€ 36,63
 CE047146IM02 Bush with plate	Matt Stainless Steel	49,2 gr.	200 4 x 50(Box x pcs. each)	€ 13,53	

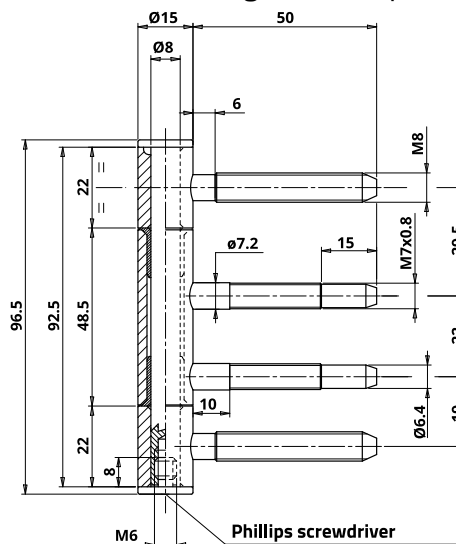
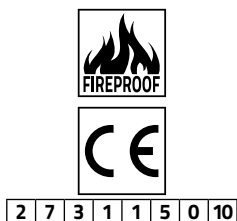




335 Ø15

3 bushes stainless steel hinge, central part with pins



Matt Stainless Steel



CODE	FINISHING	WEIGHT	Pcs / Box	PRICE PCS.	Tot.
 CE022150IM02 2 lateral bushes with pivot and head	Matt Stainless Steel	116,5 gr.	160 4 x 40(Box x pcs. each)	€ 23,10	€ 33,26
 CE048146IM02 Bush with two pins	Matt Stainless Steel	61,91 gr.	200 4 x 50(Box x pcs. each)	€ 10,16	



335 Ø15

3 bushes hinge, central part with pins



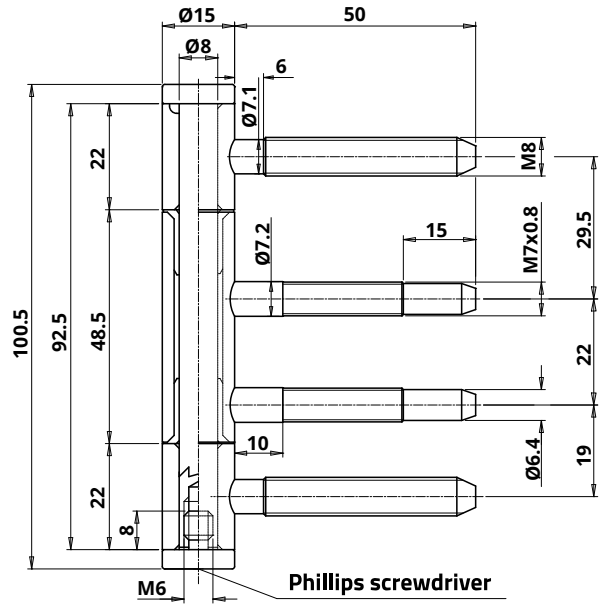
Nickel Plated



2 7 3 1 1 * 0 10

*Depending on the finish:

Matt Black	4
Polished Gold	2
Nickel Plated	1
Matt Nickel Plated	1



Phillips screwdriver

CODE	FINISHING	WEIGHT	Pcs / Box	PRICE PCS.
 CI3351509N12 Complete hinge	Matt Black	175,68 gr.	40 1 x 40 (Box x pcs. each)	€ 8,18
 CI335150K116 Complete hinge	Polished Gold	175,68 gr.	100 4 x 25 (Box x pcs. each)	€ 9,71
 CI335150N027 Complete hinge	Nickel Plated	175,68 gr.	100 4 x 25 (Box x pcs. each)	€ 3,47
 CI335150N408 Complete hinge	Matt Nickel Plated	175,68 gr.	100 4 x 25 (Box x pcs. each)	€ 5,55

Short link



www.otlav.it - 335 Ø15

335 Ø15

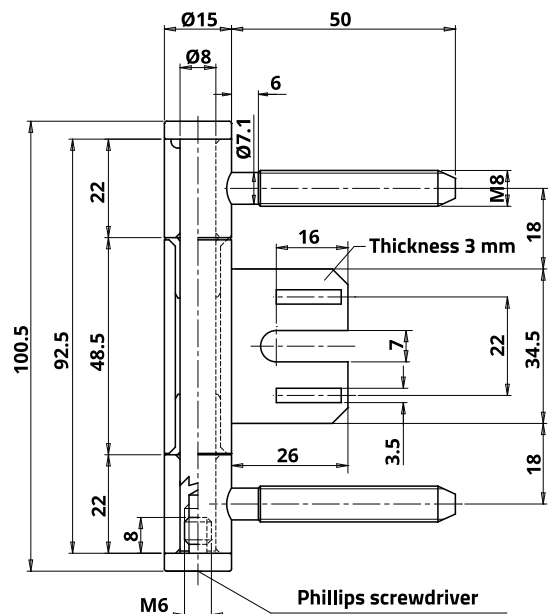
3 bushes hinge with central plate




Nickel Plated



2 7 3 1 1 1 0 10



DIN-NORM

CODE	FINISHING	WEIGHT	Pcs / Box	PRICE PCS.
 CI335150N029 Complete hinge	Nickel Plated	154,08 gr.	100 4 x 25 (Box x pcs. each)	€ 3,37

Short link



www.otlav.it - 335 Ø15

DIN-NORM | 71

341 Ø15

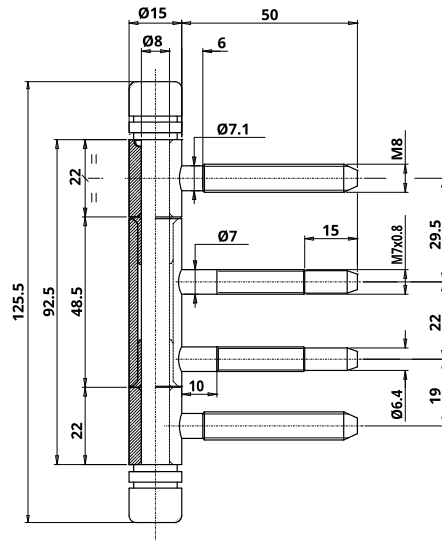
3 bushes hinge, central part with pins



Matt Nickel Plated



2 7 3 1 1 1 0 10



CODE	FINISHING	WEIGHT	Pcs / Box	PRICE PCS.
 CI341150N404 Complete hinge	Matt Nickel Plated	230 gr.	100 4 x 25(Box x pcs. each)	€ 9,35

Short link



www.otlav.it - 341 Ø15

343 Ø15

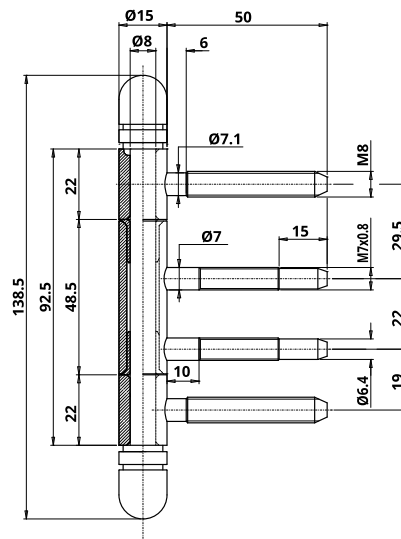
3 bushes hinge, central part with pins




Matt Nickel Plated



2 7 3 1 1 1 0 10



CODE	FINISHING	WEIGHT	Pcs / Box	PRICE PCS.
 CI343150N402 Complete hinge	Matt Nickel Plated	216,48 gr.	100 4 x 25(Box x pcs. each)	€ 9,50

Short link



www.otlav.it - 343 Ø15

335 Ø15

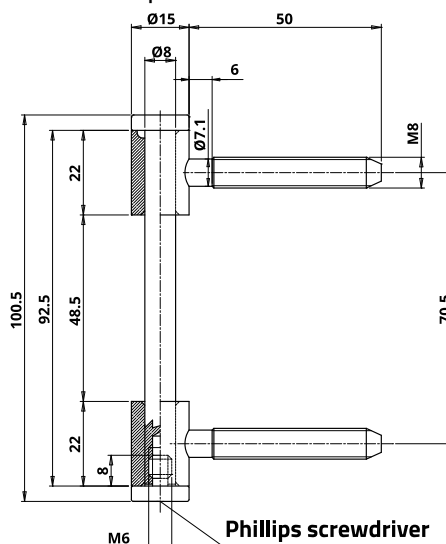
External bushes with pivot and head for art. 335 Ø15




Nickel Plated



2 7 3 1 1 1 0 10



CODE	FINISHING	WEIGHT	Pcs / Box	PRICE PCS.
 CI335150N017	Nickel Plated	114,4 gr.	160 4 x 40 (Box x pcs. each)	€ 2,258

Short link



www.otlav.it - 335 Ø15

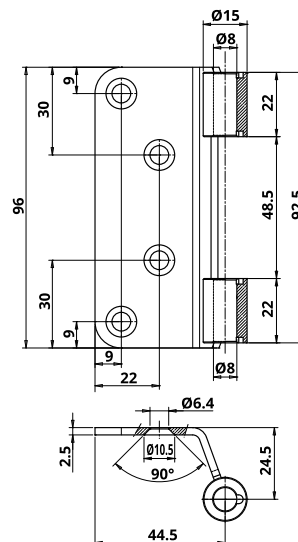
DIN-NORM


CE 335 Ø15

Plate for flush doors for art. 335 Ø15



Nickel Plated



CODE	FINISHING	WEIGHT	Pcs / Box	PRICE PCS.
 CE335150N002	Nickel Plated	128,8 gr.	100 4 x 25 (Box x pcs. each)	On request

Short link



www.otlav.it - CE 335 Ø15

DIN-NORM | 73

CE 022 Ø15

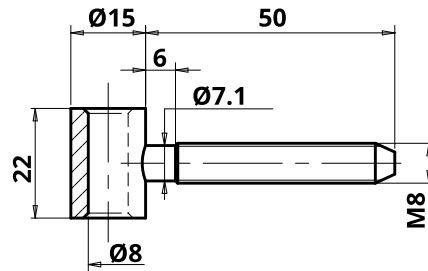
External bush with 50 mm pin for art. 335 Ø15




Nickel Plated



2 7 3 1 1 1 0 10



CODE	FINISHING	WEIGHT	Pcs / Box	PRICE PCS.
 CE022146N002	Nickel Plated	35,63 gr.	400 1 x 400 (Box x pcs. each)	€ 0,564

Short link



www.otlav.it - CE 022 Ø15

CE 047 Ø15

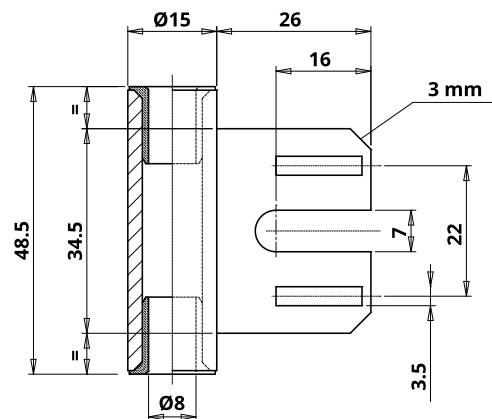
Central bush with plate and nylon ring for art. 335 Ø15




Nickel Plated



2 7 3 1 1 1 0 10



CODE	FINISHING	WEIGHT	Pcs / Box	PRICE PCS.
 CE047146N008	Nickel Plated	49,2 gr.	300 1 x 300 (Box x pcs. each)	€ 1,204

Short link



www.otlav.it - CE 047 Ø15

CE 048 Ø15

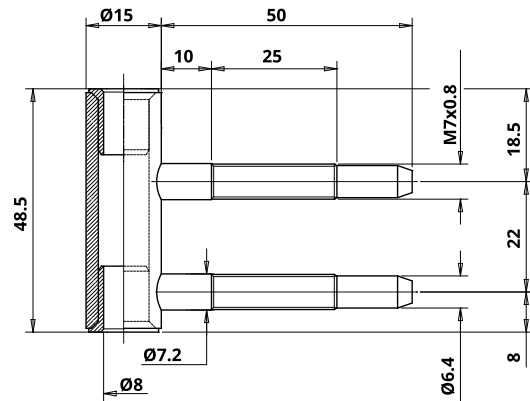
Central bush with nylon ring and two 50 mm pins for art. 335 Ø15




Nickel Plated



2 7 3 1 1 1 0 10



CODE	FINISHING	WEIGHT	Pcs / Box	PRICE PCS.
 CE048146N002	Nickel Plated	61,91 gr.	200 1 x 200 (Box x pcs. each)	€ 1,446

Short link



www.otlav.it - CE 048 Ø15

FP 096 Ø8

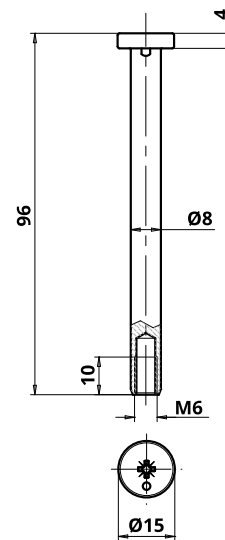
Pivot for 335 Ø15




Nickel Plated



2 7 3 1 1 1 0 10



CODE	FINISHING	WEIGHT	Pcs / Box	PRICE PCS.
 FP096080N004	Nickel Plated	38,6 gr.	400 1 x 400 (Box x pcs. each)	€ 0,895

Short link



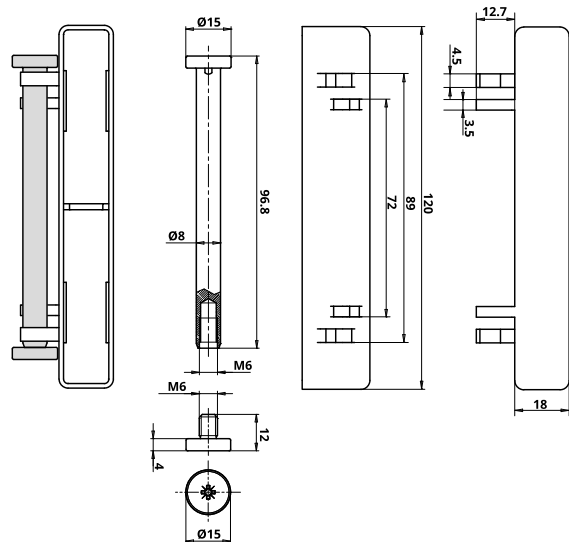
www.otlav.it - FP 096 Ø8

FP 096 Ø8

Pivot for hinge 335 Ø15, complete with protective white box for the bushes installed on the door.



Nickel Plated



CODE	FINISHING	WEIGHT	Pcs / Box	PRICE PCS.
FP096080N008	Nickel Plated	61,25 gr.	80 1 x 80(Box x pcs. each)	On request

Short link



www.otlav.it - FP 096 Ø8

TE 012 Ø15

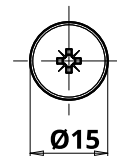
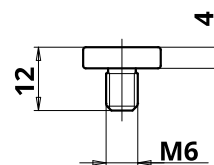
Head for art. 335 Ø15



Nickel Plated



2 7 3 1 1 1 0 10



CODE	FINISHING	WEIGHT	Pcs / Box	PRICE PCS.
TE012150N005	Nickel Plated	6,6 gr.	3200 8 x 400(Box x pcs. each)	€ 0,134

Short link



www.otlav.it - TE 012 Ø15

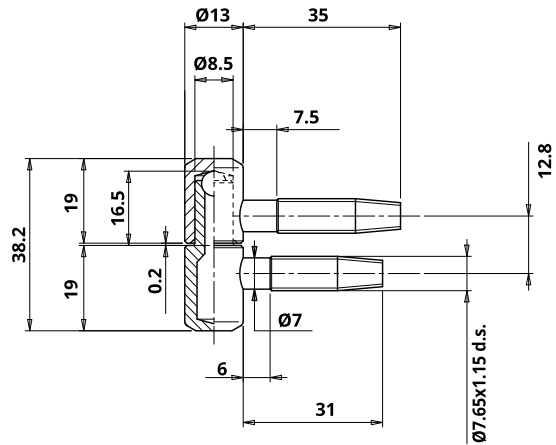
Hinges for **WOOD**



030 Ø13



Zinc Plated



CODE	FINISHING	WEIGHT	Pcs / Box	PRICE PCS.	TOT.
CF030130H021 Female part	Zinc Plated	20,5 gr.	800 4 x 200 (Box x pcs. each)	€ 0,228	€ 0,513
CG030130H023 Male part	Zinc Plated	25,7 gr.	800 4 x 200 (Box x pcs. each)	€ 0,285	
CF030130H037 Female part	Zinc Plated	20,5 gr.	740 1 x 740 (Box x pcs. each)	€ 0,225	€ 0,507
CG030130H031 Male part	Zinc Plated	25,7 gr.	740 1 x 740 (Box x pcs. each)	€ 0,282	

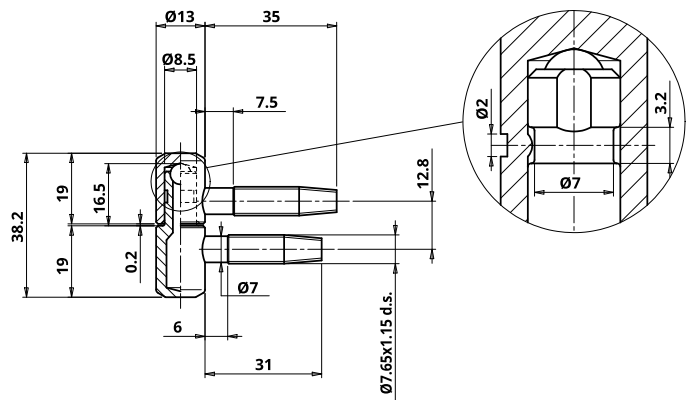
TOOLS MA701130G018 PVC toolkit for overlay doors Page 150	 MC701130G060 PVC jig for overlay doors Page 155	CAPS 826 Ø14 Brass cap Page 168	 847 Ø14 Aluminium cap Page 180	 849 Ø14 Aluminium cap Page 181	Short link www.otlav.it - 030 Ø13

030 Ø13

Hinge WASISTAS



Zinc Plated

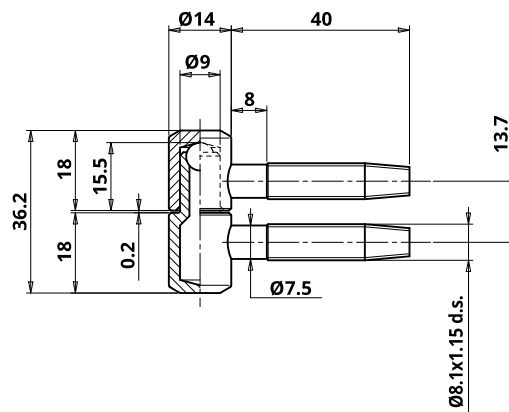




CODE	FINISHING	WEIGHT	Pcs / Box	PRICE PCS.	TOT.
CF030130H026 Female part	Zinc Plated	20,7 gr.	800 4 x 200 (Box x pcs. each)	€ 0,354	€ 0,826
CG030130H026 Male part	Zinc Plated	24,9 gr.	800 4 x 200 (Box x pcs. each)	€ 0,472	

TOOLS MA701130G018 PVC toolkit for overlay doors Page 150	 MC701130G060 PVC jig for overlay doors Page 155	CAPS 826 Ø14 Brass cap Page 168	 847 Ø14 Aluminium cap Page 180	 849 Ø14 Aluminium cap Page 181	Short link www.otlav.it - 030 Ø13



Zinc Plated



CODE	FINISHING	WEIGHT	Pcs / Box	PRICE PCS.	TOT.
 CF030140H002 Female part	Zinc Plated	25,07 gr.	640 4 x 160 (Box x pcs. each)	€ 0,295	€ 0,66
 CG030140H002 Male part	Zinc Plated	30,71 gr.	640 4 x 160 (Box x pcs. each)	€ 0,365	

TOOLS



MA700140G002
Wood toolkit for flush doors
Page 148



MA701140G011
PVC toolkit for overlay doors
Page 150



MC701140G060
PVC jig for overlay doors
Page 155

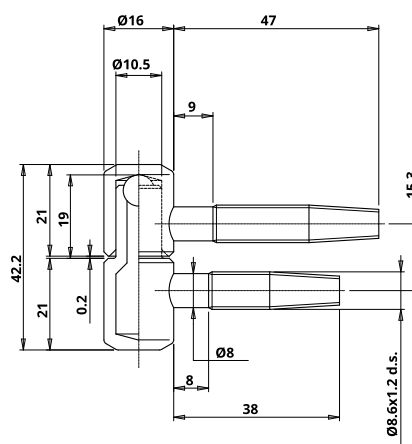
Short link





www.otlav.it - 030 Ø14



Zinc Plated



CODE	FINISHING	WEIGHT	Pcs / Box	PRICE PCS.	TOT.
 CF030160H027 Female part	Zinc Plated	35,64 gr.	440 4 x 110 (Box x pcs. each)	€ 0,359	€ 0,826
 CG030160H027 Male part	Zinc Plated	44,28 gr.	440 4 x 110 (Box x pcs. each)	€ 0,467	

TOOLS



MC701160G060
PVC jig for overlay doors
Page 155



CAPS

815 Ø17,5
Nylon cap
Page 168

Short link



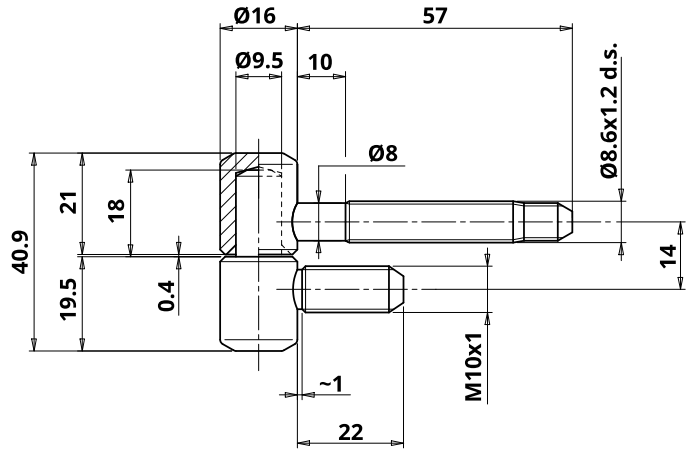
www.otlav.it - 030 Ø16



031 Ø16

3D adjustable hinge - female pins 8,6x57 mm - male pins M10x22 mm



Zinc Plated



CODE	FINISHING	WEIGHT	Pcs / Box	PRICE PCS.	Tot.
 CF031160H006 Female part	Zinc Plated	42,95 gr.	320 4 x 80 (Box x pcs. each)	€ 0,495	€ 1,11
 CG031160H006 Male part	Zinc Plated	50,87 gr.	390 1 x 390 (Box x pcs. each)	€ 0,615	



CAPS

815 Ø17,5
Nylon cap

Page 168

Short link



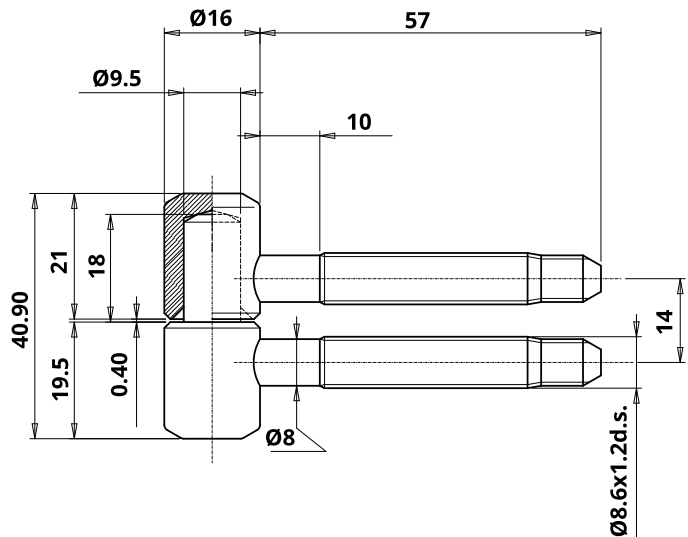
www.otlav.it - 031 Ø16



031 Ø16

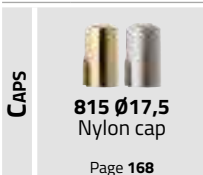
Hinge - pins 8,6x57 mm



Zinc Plated



CODE	FINISHING	WEIGHT	Pcs / Box	PRICE PCS.	Tot.
 CF031160H006 Female part	Zinc Plated	42,95 gr.	320 4 x 80 (Box x pcs. each)	€ 0,495	€ 1,199
 CG031160H008 Male part	Zinc Plated	60,44 gr.	320 4 x 80 (Box x pcs. each)	€ 0,704	



CAPS

815 Ø17,5
Nylon cap

Page 168

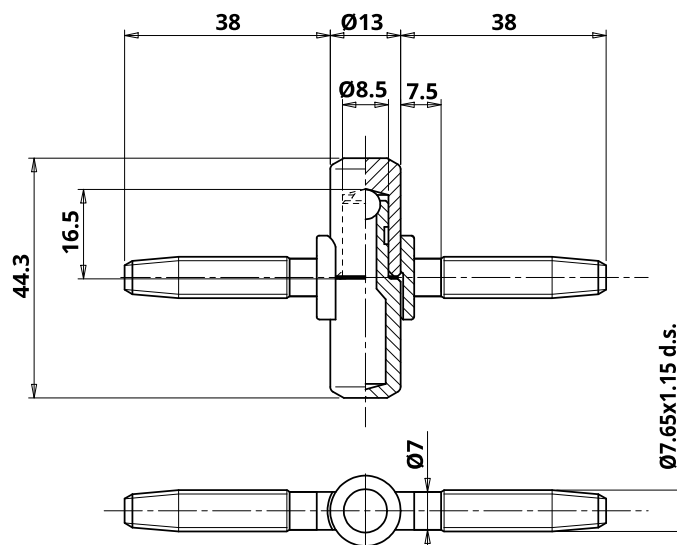
Short link











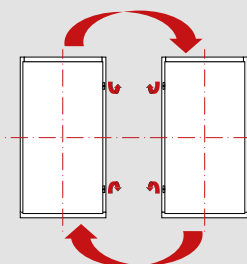
www.otlav.it - 031 Ø16



Nickel Plated



CODE	FINISHING	WEIGHT	Pcs / Box	PRICE PCS.	TOT.
 CF050130H011 Female part	Zinc Plated	25,72 gr.	600 1 x 600 (Box x pcs. each)	€ 0,868	€ 1,884
 CG050130H011 Male part	Zinc Plated	30,6 gr.	600 1 x 600 (Box x pcs. each)	€ 1,016	
 CF050130H012 Female part on loader	Zinc Plated	25,72 gr.	342 1 x 342 (Box x pcs. each)	€ 0,897	€ 1,932
 CG050130H012 Male part on loader	Zinc Plated	30,6 gr.	342 1 x 342 (Box x pcs. each)	€ 1,035	
 CF050130NN04 Female part	Nickel Plated	27,37 gr.	600 1 x 600 (Box x pcs. each)	€ 0,968	€ 2,107
 CG050130NN06 Male part	Nickel Plated	32,28 gr.	600 1 x 600 (Box x pcs. each)	€ 1,139	
 CF0501300006 Female part	Brass Plated	27,37 gr.	600 1 x 600 (Box x pcs. each)	€ 0,977	€ 2,128
 CG0501300008 Male part	Brass Plated	30,8 gr.	600 1 x 600 (Box x pcs. each)	€ 1,151	



HINGES FOR REVERSIBLE DOORS

The range of hinges for reversible doors permits to easily run the stocks with just one kind of panel. Using this kind of hinges it becomes easy to decide if one door has to be left or right, directly while installing it.



CAPS



826 Ø14
Brass cap

Page 168



847 Ø14
Aluminium cap

Page 180



849 Ø14
Aluminium cap

Page 181

Short link

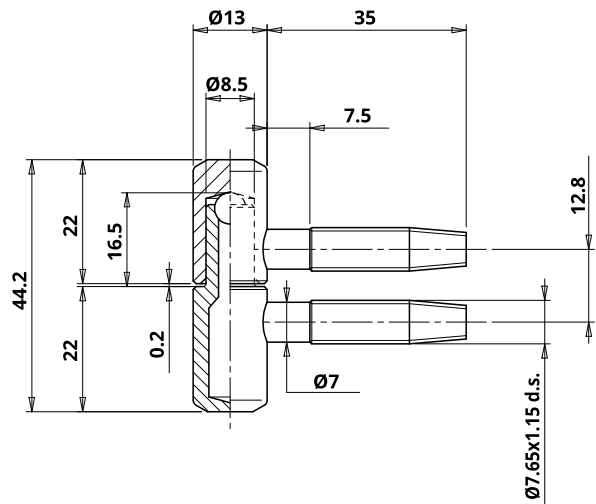






















www.otlav.it - 050 Ø13

055 Ø13



Nickel Plated



CODE	FINISHING	WEIGHT	Pcs / Box	PRICE PCS.	TOT.
 CF055130BN12 Female part	Bronze Plated	23,68 gr.	640 4 x 160 (Box x pcs. each)	€ 0,302	€ 0,665
 CG055130BN12 Male part	Bronze Plated	28,58 gr.	640 4 x 160 (Box x pcs. each)	€ 0,363	
 CI055130BN09 Complete hinge	Bronze Plated	54 gr.	400 4 x 100 (Box x pcs. each)	€ 0,684	
 CF055130H010 Female part	Zinc Plated	23,41 gr.	640 4 x 160 (Box x pcs. each)	On request	
 CG055130H017 Male part	Zinc Plated	28,37 gr.	640 4 x 160 (Box x pcs. each)	On request	
 CF055130H011 Female part	Zinc Plated	23,41 gr.	690 1 x 690 (Box x pcs. each)	€ 0,253	€ 0,555
 CG055130H022 Male part	Zinc Plated	28,37 gr.	690 1 x 690 (Box x pcs. each)	€ 0,302	
 CF055130N005 Female part	Nickel Plated	23,14 gr.	640 4 x 160 (Box x pcs. each)	€ 0,315	€ 0,693
 CG055130N005 Male part	Nickel Plated	28,4 gr.	640 4 x 160 (Box x pcs. each)	€ 0,378	
 CF055130N014 Female part	Nickel Plated	23,14 gr.	690 1 x 690 (Box x pcs. each)	€ 0,298	€ 0,67
 CG055130N011 Male part	Nickel Plated	28,4 gr.	690 1 x 690 (Box x pcs. each)	€ 0,372	
 CI055130N004 Complete hinge	Nickel Plated	52 gr.	400 4 x 100 (Box x pcs. each)	€ 0,686	
 CF055130N402 Female part	Matt Nickel Plated	23,14 gr.	640 4 x 160 (Box x pcs. each)	€ 0,752	€ 1,576
 CG055130N402 Male part	Matt Nickel Plated	30,89 gr.	640 4 x 160 (Box x pcs. each)	€ 0,824	
 CF055130O008 Female part	Brass Plated	23,4 gr.	640 4 x 160 (Box x pcs. each)	€ 0,361	€ 0,745
 CG055130O010 Male part	Brass Plated	28,6 gr.	640 4 x 160 (Box x pcs. each)	€ 0,384	
 CI055130O009 Complete hinge	Brass Plated	52,06 gr.	400 4 x 100 (Box x pcs. each)	€ 0,754	
 CI055130T102 Complete hinge	Satinized Chrome Plated	52 gr.	320 4 x 80 (Box x pcs. each)	On request	
 CF055130V702 Female part	Satinized Silver	23,75 gr.	640 4 x 160 (Box x pcs. each)	€ 0,559	€ 1,227
 CG055130V702 Male part	Satinized Silver	28,58 gr.	640 4 x 160 (Box x pcs. each)	€ 0,668	

TOOLS




MA701130G018
PVC toolkit for overlay doors
Page 150



MC701130G060
PVC jig for overlay doors
Page 155


CAPS



826 Ø14
Brass cap
Page 168



847 Ø14
Aluminium cap
Page 180



849 Ø14
Aluminium cap
Page 181

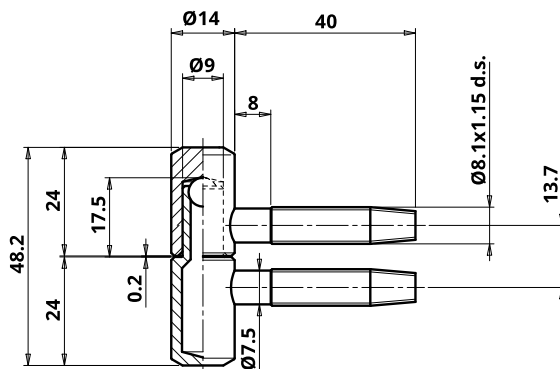
Short link

























www.otlav.it - 055 Ø13



Brass Plated



CODE	FINISHING	WEIGHT	Pcs / Box	PRICE PCS.	TOT.
 CF055140BN15 Female part	Bronze Plated	31,32 gr.	520 4 x 130 (Box x pcs. each)	€ 0,382	€ 0,815
 CG055140BN15 Male part	Bronze Plated	34,55 gr.	520 4 x 130 (Box x pcs. each)	€ 0,433	
 CI055140BN12 Complete hinge	Bronze Plated	66,46 gr.	300 4 x 75 (Box x pcs. each)	€ 0,84	
 CF055140H010 Female part	Zinc Plated	31,07 gr.	550 1 x 550 (Box x pcs. each)	€ 0,312	€ 0,668
 CG055140H008 Male part	Zinc Plated	34,44 gr.	550 1 x 550 (Box x pcs. each)	€ 0,356	
 CF055140H015 Female part on loader	Zinc Plated	31,07 gr.	342 1 x 342 (Box x pcs. each)	€ 0,341	€ 0,726
 CG055140H015 Male part on loader	Zinc Plated	34,44 gr.	342 1 x 342 (Box x pcs. each)	€ 0,385	
 CF055140H021 Female part	Zinc Plated	31,07 gr.	520 4 x 130 (Box x pcs. each)	€ 0,306	€ 0,668
 CG055140H021 Male part	Zinc Plated	34,44 gr.	520 4 x 130 (Box x pcs. each)	€ 0,362	
 CF055140N004 Female part	Nickel Plated	31,32 gr.	520 4 x 130 (Box x pcs. each)	€ 0,383	€ 0,817
 CG055140N008 Male part	Nickel Plated	34,55 gr.	520 4 x 130 (Box x pcs. each)	€ 0,434	
 CI055140N005 Complete hinge	Nickel Plated	66,46 gr.	300 4 x 75 (Box x pcs. each)	€ 0,842	
 CF055140N402 Female part	Matt Nickel Plated	31,32 gr.	520 4 x 130 (Box x pcs. each)	€ 0,846	€ 1,712
 CG055140N402 Male part	Matt Nickel Plated	34,55 gr.	520 4 x 130 (Box x pcs. each)	€ 0,866	
 CF0551400007 Female part	Brass Plated	31,32 gr.	520 4 x 130 (Box x pcs. each)	€ 0,405	€ 0,864
 CG0551400005 Male part	Brass Plated	34,55 gr.	520 4 x 130 (Box x pcs. each)	€ 0,459	
 CI0551400008 Complete hinge	Brass Plated	66,46 gr.	300 4 x 75 (Box x pcs. each)	€ 0,892	
 CF055140T105 Female part on loader	Satinized Chrome Plated	31,45 gr.	342 1 x 342 (Box x pcs. each)	€ 1,257	€ 2,776
 CG055140T103 Male part on loader	Satinized Chrome Plated	33,43 gr.	342 1 x 342 (Box x pcs. each)	€ 1,519	
 CI055140T102 Complete hinge	Satinized Chrome Plated	66,46 gr.	240 4 x 60 (Box x pcs. each)	€ 2,63	
 CF055140V702 Female part	Satinized Silver	31,4 gr.	480 4 x 120 (Box x pcs. each)	€ 0,714	€ 1,52
 CG055140V702 Male part	Satinized Silver	34,75 gr.	480 4 x 120 (Box x pcs. each)	€ 0,806	

Tools



MA700140G002
Wood toolkit for
flush doors
Page 148



MA701140G011
PVC toolkit for
overlay doors
Page 150



MC701140G060
PVC jig for overlay
doors
Page 155

CAPS



847 Ø15
Aluminium cap
Page 181



849 Ø15
Aluminium cap
Page 182

Short link



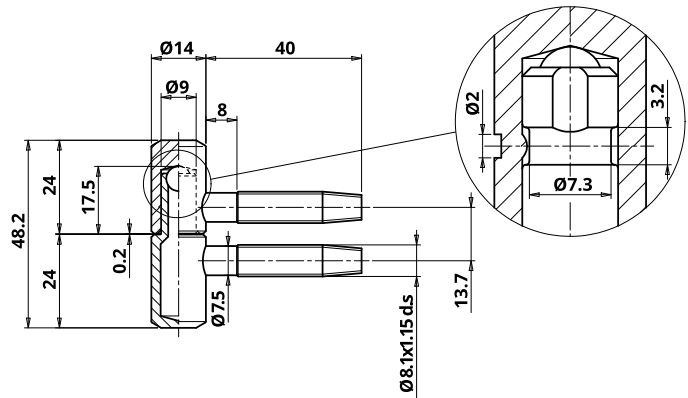
www.otlav.it - 055 Ø14



055 Ø14

Hinge WASISTAS



Zinc Plated



CODE	FINISHING	WEIGHT	Pcs / Box	PRICE PCS.	TOT.
 CF055140H014 Female part	Zinc Plated	31,4 gr.	520 4 x 130 (Box x pcs. each)	€ 0,417	€ 0,95
 CG055140H014 Male part	Zinc Plated	33,9 gr.	520 4 x 130 (Box x pcs. each)	€ 0,533	

TOOLS



MA700140G002
Wood toolkit for flush doors
Page 148

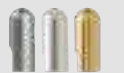


MA701140G011
PVC toolkit for overlay doors
Page 150

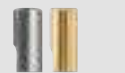


MC701140G060
PVC jig for overlay doors
Page 155

CAPS



847 Ø15
Aluminium cap
Page 181



849 Ø15
Aluminium cap
Page 182

Short link



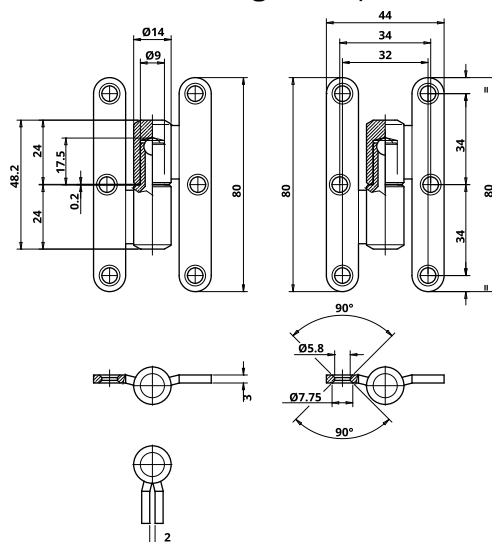
www.otlav.it - 055 Ø14


055 Ø14

Hinge with plates - DIN right



Black



CODE	FINISHING	WEIGHT	Pcs / Box	PRICE PCS.
 CI055140P204 Complete hinge	Black	83,5 gr.	200 4 x 50 (Box x pcs. each)	€ 2,273

Short link



www.otlav.it - 055 Ø14

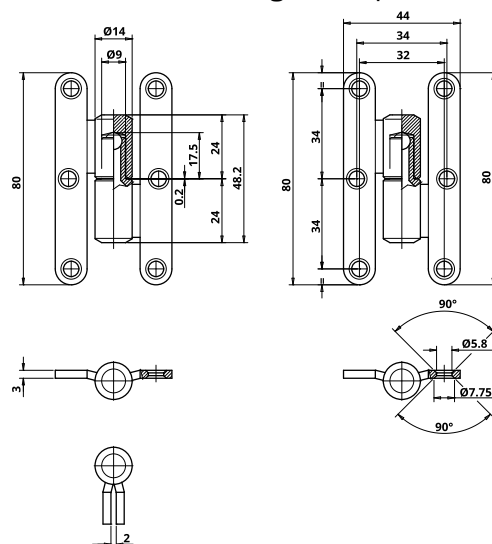
WOOD


055 Ø14

Hinge with plates - DIN left



Black



CODE	FINISHING	WEIGHT	Pcs / Box	PRICE PCS.
 CI055140P203 Complete hinge	Black	83,5 gr.	200 4 x 50 (Box x pcs. each)	€ 2,273

Short link

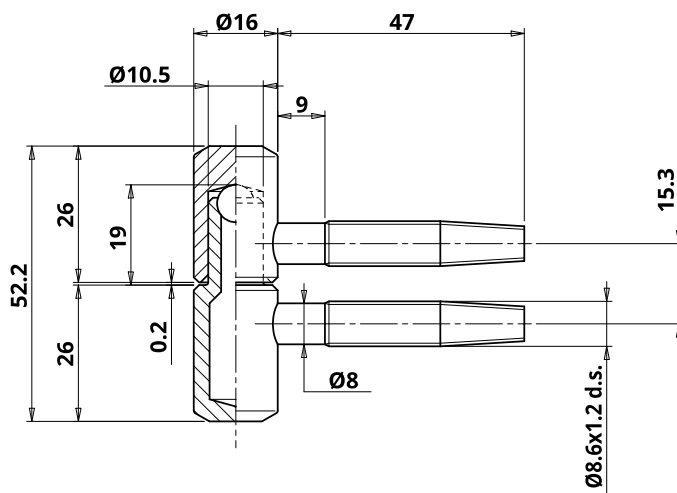








www.otlav.it - 055 Ø14

055 Ø16




Nickel Plated



CODE	FINISHING	WEIGHT	Pcs / Box	PRICE PCS.	TOT.
 CI055160BN04 Complete hinge	Bronze Plated	90,65 gr.	200 4 x 50 (Box x pcs. each)	€ 1,168	
 CF055160H004 Female part	Zinc Plated	43,46 gr.	350 1 x 350 (Box x pcs. each)	€ 0,413	€ 0,954
 CG055160H006 Male part	Zinc Plated	51,5 gr.	350 1 x 350 (Box x pcs. each)	€ 0,541	
 CF055160N006 Female part	Nickel Plated	43,78 gr.	350 1 x 350 (Box x pcs. each)	€ 0,523	€ 1,197
 CG055160N006 Male part	Nickel Plated	52,58 gr.	350 1 x 350 (Box x pcs. each)	€ 0,674	
 CI0551600003 Complete hinge	Brass Plated	90,65 gr.	200 4 x 50 (Box x pcs. each)	€ 1,232	

TOOLS

MC701160G060
 PVC jig for overlay doors
 Page 155

CAPS

815 Ø17,5
 Nylon cap
 Page 168

Short link

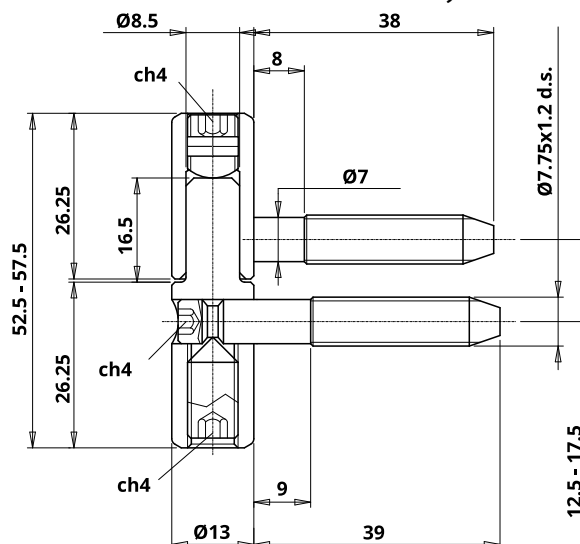
www.otlav.it - 055 Ø16



057 Ø13

Adjustable hinge



Zinc Plated



CODE	FINISHING	WEIGHT	Pcs / Box	PRICE PCS.	TOT.
 CF057130H001 Female part	Zinc Plated	27,22 gr.	500 1 x 500 (Box x pcs. each)	€ 1,168	€ 2,894
 CG057130H003 Male part	Zinc Plated	40,7 gr.	500 1 x 500 (Box x pcs. each)	€ 1,726	

TOOLS

 **MA701130G018**
PVC toolkit for overlay doors
Page 150

 **MC701130G060**
PVC jig for overlay doors
Page 155

CAPS

 **847 Ø14**
Aluminium cap
Page 180

 **849 Ø14**
Aluminium cap
Page 181

Short link



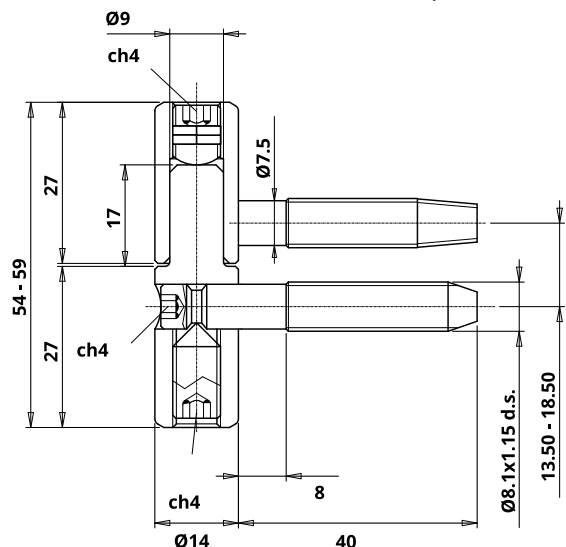
www.otlav.it - 057 Ø13



057 Ø14

Adjustable hinge



Zinc Plated



CODE	FINISHING	WEIGHT	Pcs / Box	PRICE PCS.	TOT.
 CF057140H008 Female part	Zinc Plated	32,7 gr.	400 1 x 400 (Box x pcs. each)	€ 1,156	€ 3,057
 CG057140H010 Male part	Zinc Plated	48,93 gr.	400 1 x 400 (Box x pcs. each)	€ 1,901	

TOOLS

 **MA700140G002**
Wood toolkit for flush doors
Page 148

 **MA701140G011**
PVC toolkit for overlay doors
Page 150

 **MC701140G060**
PVC jig for overlay doors
Page 155

CAPS

 **847 Ø15**
Aluminium cap
Page 181

 **849 Ø15**
Aluminium cap
Page 182

Short link



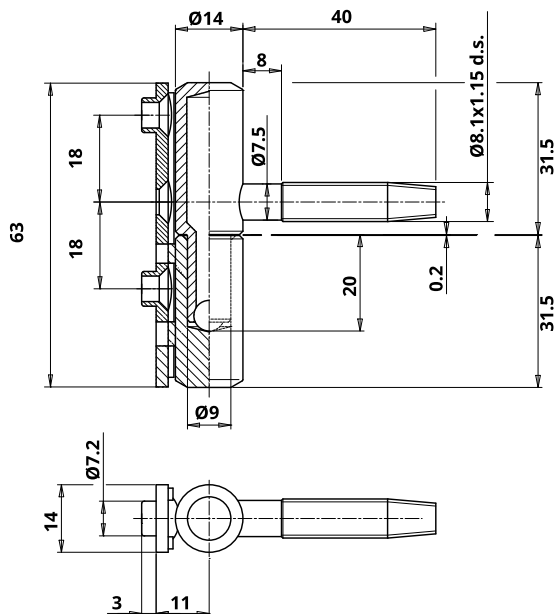
www.otlav.it - 057 Ø14



P58 Ø14

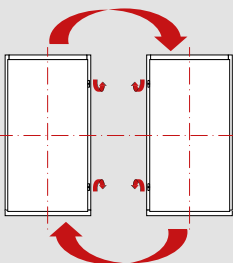
Hinge for reversible doors



Super Zinc Plated



CODE	FINISHING	WEIGHT	Pcs / Box	PRICE PCS.
 CG0581408H03 Door part	Super Zinc Plated	39,29 gr.	400 1 x 400 (Box x pcs. each)	On request
 CGP581408H02 Frame part	Super Zinc Plated	41,2 gr.	400 1 x 400 (Box x pcs. each)	On request



HINGES FOR REVERSIBLE DOORS

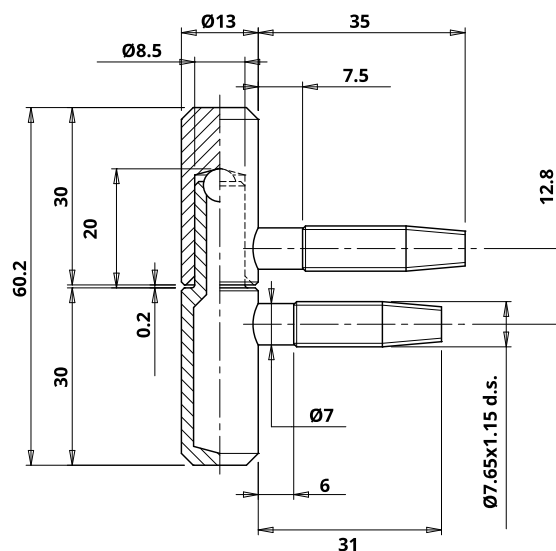
The range of hinges for reversible doors permits to easily run the stocks with just one kind of panel. Using this kind of hinges it becomes easy to decide if one door has to be left or right, directly while installing it.





www.otlav.it - P58 Ø14



Zincado



CÓDIGO	ACABADO	PESO	PZAS. / EMBALAJE	PRECIO UNIT.	TOT.
 CF070130H002 Hembra	Zincado	29,97 gr.	600 1 x 600 (Box x pzas. cad.)	€ 0,326	€ 0,685
 CG070130H002 Macho	Zincado	32,48 gr.	600 1 x 600 (Box x pzas. cad.)	€ 0,359	

PLANTILLAS



MA701130G018
Kit plantillas de PVC
para puerta solapada
Pág. 150



MC701130G060
Plantilla en PVC para
puertas solapadas
Pág. 155

CAPUCHONES



847 Ø14
Capuchón de
aluminio
Pág. 180



849 Ø14
Capuchón de
aluminio
Pág. 181

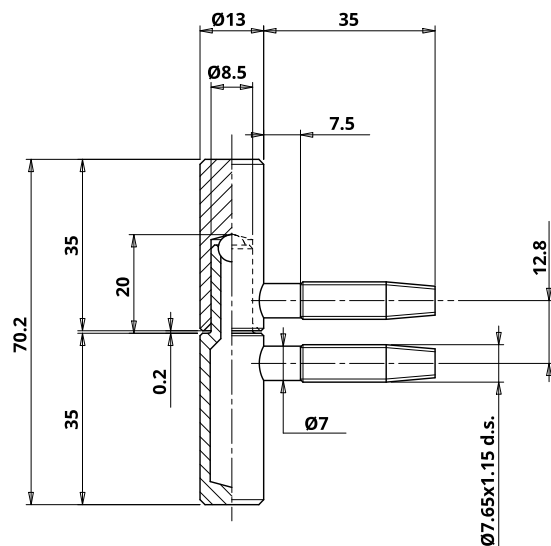
Short link





www.otlav.it - 070 Ø13



Zinc Plated



CODE	FINISHING	WEIGHT	Pcs / Box	PRICE PCS.	TOT.
 CF075130H004 Female part	Zinc Plated	35,28 gr.	500 1 x 500 (Box x pcs. each)	€ 0,349	€ 0,728
 CG075130H004 Male part	Zinc Plated	37,4 gr.	500 1 x 500 (Box x pcs. each)	€ 0,379	

TOOLS



MA701130G018
PVC toolkit for
overlay doors
Page 150



MC701130G060
PVC jig for overlay
doors
Page 155

CAPS



844 Ø14
Aluminium cap
Page 179

Short link

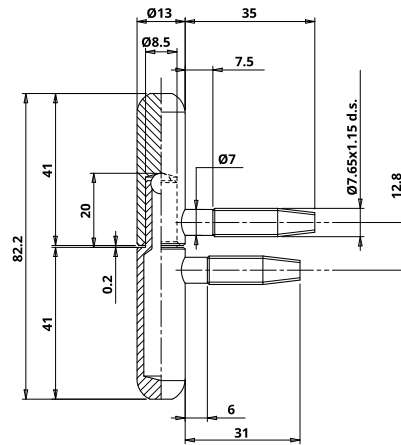






www.otlav.it - 075 Ø13

085 Ø13



Zinc Plated



CODE	FINISHING	WEIGHT	Pcs / Box	PRICE PCS.	TOT.
 CF085130H002 Female part	Zinc Plated	40,13 gr.	450 1 x 450 (Box x pcs. each)	€ 0,388	€ 0,792
 CG085130H004 Male part	Zinc Plated	41,22 gr.	450 1 x 450 (Box x pcs. each)	€ 0,404	
 CF085130H005 Female part on loader	Zinc Plated	40,13 gr.	285 1 x 285 (Box x pcs. each)	On request	
 CG085130H005 Male part on loader	Zinc Plated	41,22 gr.	285 1 x 285 (Box x pcs. each)	On request	

TOOLS	 MA701130G018 PVC toolkit for overlay doors Page 150	CAPS	 844 Ø14 Aluminium cap Page 179
	 MC701130G060 PVC jig for overlay doors Page 155		

Short link



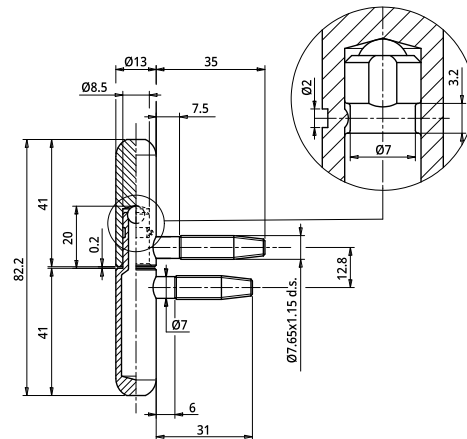
www.otlav.it - 085 Ø13



085 Ø13

Hinge WASISTAS



Zinc Plated



CODE	FINISHING	WEIGHT	Pcs / Box	PRICE PCS.
 CF085130H007 Female part	Zinc Plated	40,13 gr.	450 1 x 450 (Box x pcs. each)	On request
 CG085130H007 Male part	Zinc Plated	41,22 gr.	450 1 x 450 (Box x pcs. each)	On request

TOOLS	 MA701130G018 PVC toolkit for overlay doors Page 150	CAPS	 844 Ø14 Aluminium cap Page 179
	 MC701130G060 PVC jig for overlay doors Page 155		

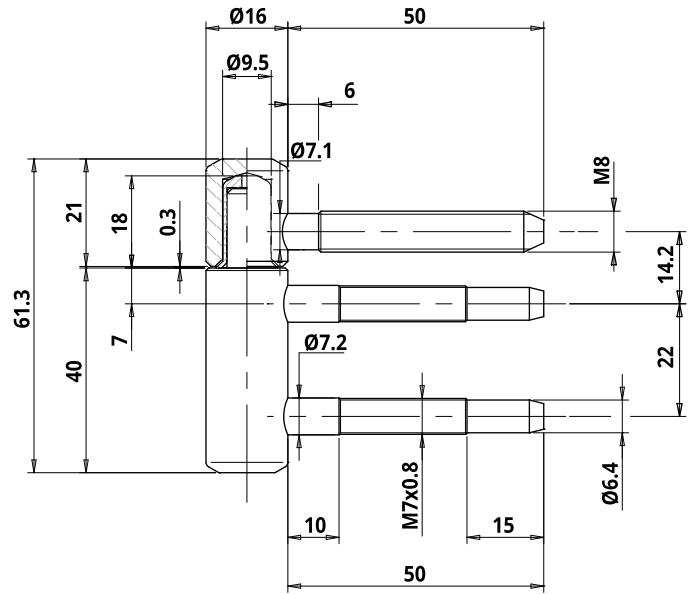
Short link





www.otlav.it - 085 Ø13



Nickel Plated



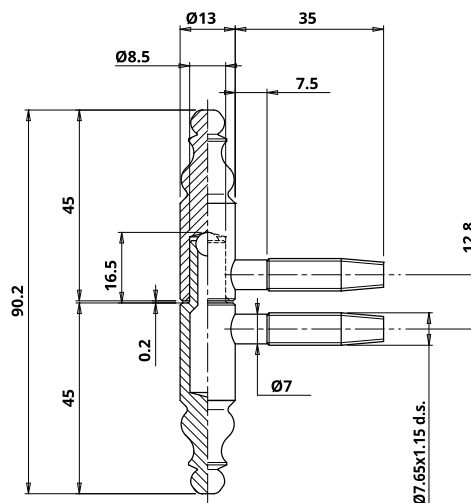
CODE	FINISHING	WEIGHT	Pcs / Box	PRICE PCS.
 CF031160N006 Female part	Nickel Plated	37,7 gr.	320 4 x 80 (Box x pcs. each)	€ 0,59
 CG133160N006 Male part	Nickel Plated	95 gr.	220 1 x 220 (Box x pcs. each)	On request













190 Ø13



Bronze Plated



CODE	FINISHING	WEIGHT	Pcs / Box	PRICE PCS.	TOT.
 CF190130B110 Female part	Special Bronze Plated	36,72 gr.	400 4 x 100 (Box x pcs. each)	€ 0,55	€ 1,13
 CG190130B112 Male part	Special Bronze Plated	37,12 gr.	400 4 x 100 (Box x pcs. each)	€ 0,58	
 CF190130BN06 Female part	Bronze Plated	36,72 gr.	400 4 x 100 (Box x pcs. each)	€ 0,497	€ 1,02
 CG190130BN06 Male part	Bronze Plated	37,12 gr.	400 4 x 100 (Box x pcs. each)	€ 0,523	
 CI190130BN06 Complete hinge	Bronze Plated	75 gr.	260 4 x 65 (Box x pcs. each)	€ 1,049	
 CF190130G008 Female part	Natural	37,16 gr.	500 1 x 500 (Box x pcs. each)	€ 0,418	€ 0,845
 CG190130G008 Male part	Natural	38 gr.	500 1 x 500 (Box x pcs. each)	€ 0,427	
 CF190130G204 Female part	Varnished Phosphatized	37,16 gr.	500 1 x 500 (Box x pcs. each)	€ 0,543	€ 1,114
 CG190130G204 Male part	Varnished Phosphatized	38 gr.	500 1 x 500 (Box x pcs. each)	€ 0,571	
 CF190130H205 Female part	Black Varnished Zinc Plated	36,88 gr.	500 1 x 500 (Box x pcs. each)	€ 0,506	€ 1,039
 CG190130H205 Male part	Black Varnished Zinc Plated	37,72 gr.	500 1 x 500 (Box x pcs. each)	€ 0,533	
 CF190130H803 Female part	Black Zinc	36,88 gr.	400 4 x 100 (Box x pcs. each)	€ 0,504	€ 1,035
 CG190130H803 Male part	Black Zinc	37,72 gr.	400 4 x 100 (Box x pcs. each)	€ 0,531	
 CF190130O006 Female part	Brass Plated	36,72 gr.	400 4 x 100 (Box x pcs. each)	€ 0,524	€ 1,075
 CG190130O006 Male part	Brass Plated	37,12 gr.	400 4 x 100 (Box x pcs. each)	€ 0,551	
 CF190130R004 Female part	Burnished	37,16 gr.	500 1 x 500 (Box x pcs. each)	€ 0,455	€ 0,935
 CG190130R004 Male part	Burnished	38 gr.	500 1 x 500 (Box x pcs. each)	€ 0,48	

TOOLS		
	MA701130G018 PVC toolkit for overlay doors Page 150	MC701130G060 PVC jig for overlay doors Page 155

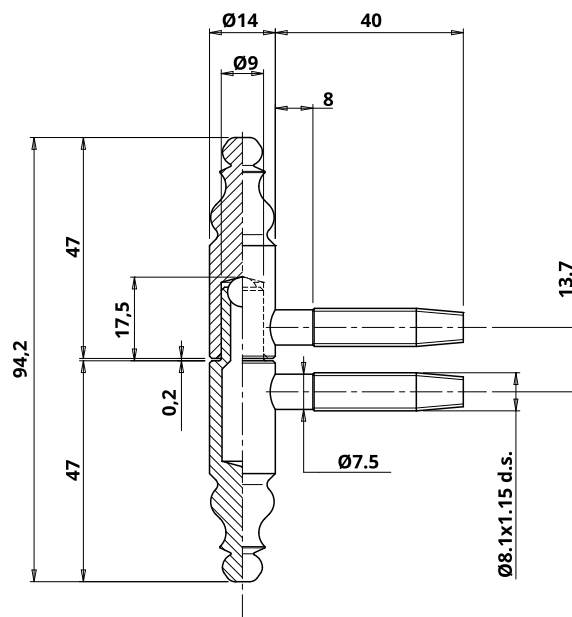
Short link









www.otlav.it - 190 Ø13



Bronze Plated



CODE	FINISHING	WEIGHT	Pcs / Box	PRICE PCS.	TOT.
 CF190140BN04 Female part	Bronze Plated	46,9 gr.	320 4 x 80 (Box x pcs. each)	€ 0,638	€ 1,291
 CG190140BN04 Male part	Bronze Plated	45,4 gr.	320 4 x 80 (Box x pcs. each)	€ 0,653	
 CF190140H803 Female part	Black Zinc	47,08 gr.	320 4 x 80 (Box x pcs. each)	On request	€ 1,361
 CG190140H803 Male part	Black Zinc	45,95 gr.	320 4 x 80 (Box x pcs. each)	On request	
 CF1901400004 Female part	Brass Plated	46,9 gr.	320 4 x 80 (Box x pcs. each)	€ 0,673	€ 1,361
 CG1901400004 Male part	Brass Plated	45,4 gr.	320 4 x 80 (Box x pcs. each)	€ 0,688	

Tools



MA700140G002
Wood toolkit for
flush doors
Page 148



MA701140G011
PVC toolkit for
overlay doors
Page 150



MC701140G060
PVC jig for overlay
doors
Page 155

Short link

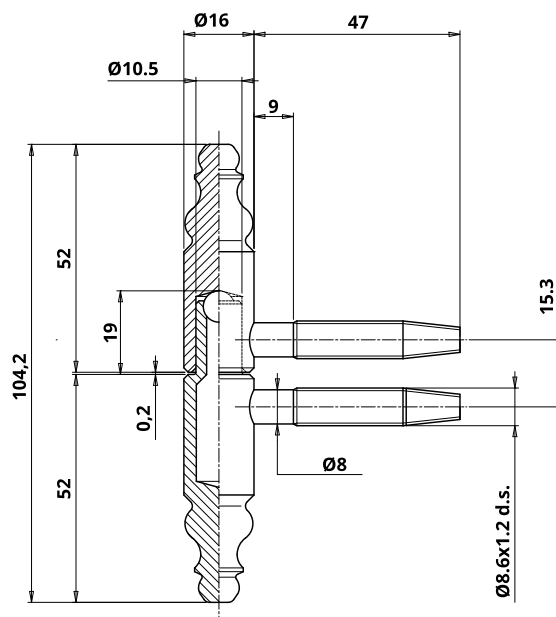







www.otlav.it - 190 Ø14

190 Ø16



Brass Plated



CODE	FINISHING	WEIGHT	Pcs / Box	PRICE PCS.	TOT.
 CI190160B103 Complete hinge	Special Bronze Plated	140 gr.	120 4 x 30 (Box x pcs. each)	€ 2,16	
 CF190160BN04 Female part	Bronze Plated	67,64 gr.	200 4 x 50 (Box x pcs. each)	€ 0,975	€ 1,955
 CG190160BN04 Male part	Bronze Plated	69,44 gr.	200 4 x 50 (Box x pcs. each)	€ 0,98	
 CF1901600002 Female part	Brass Plated	67,64 gr.	200 4 x 50 (Box x pcs. each)	€ 1,025	€ 2,07
 CG1901600002 Male part	Brass Plated	69,44 gr.	200 4 x 50 (Box x pcs. each)	€ 1,045	

TOOLS



MC701160G060
PVC jig for overlay doors
Page 155

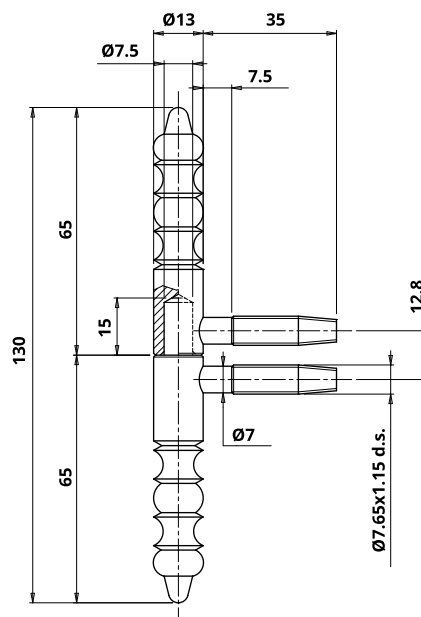
Short link





www.otlav.it - 190 Ø16



Varnished Phosphatized



CODE	FINISHING	WEIGHT	Pcs / Box	PRICE PCS.	TOT.
 CF210130G208 Female part	Varnished Phosphatized	53,34 gr.	300 1 x 300 (Box x pcs. each)	€ 1,242	€ 2,654
 CG210130G208 Male part	Varnished Phosphatized	63,97 gr.	300 1 x 300 (Box x pcs. each)	€ 1,412	

Tools



MA701130G018
PVC toolkit for
overlay doors
Page 150



MC701130G060
PVC jig for overlay
doors
Page 155

Short link

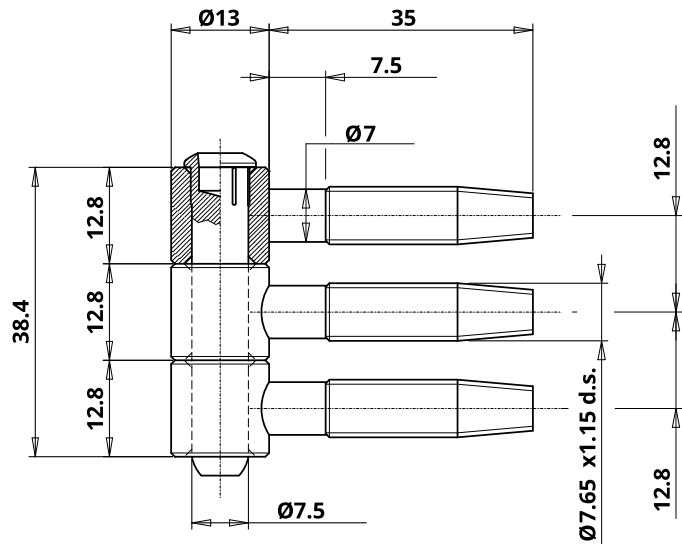


www.otlav.it - 210 Ø13

300 Ø13



Zinc Plated



CODE	FINISHING	WEIGHT	Pcs / Box	PRICE PCS.
CI300130H003 Complete hinge	Zinc Plated	68,11 gr.	300 4 x 75 (Box x pcs. each)	€ 1,10

TOOLS

MA701130G018
PVC toolkit for overlay doors
Page 150

MC701130G060
PVC jig for overlay doors
Page 155

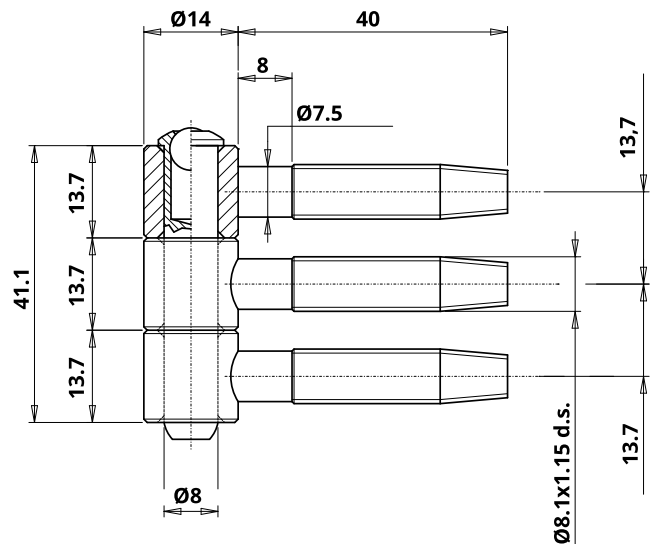
Short link

www.otlav.it - 300 Ø13

300 Ø14



Zinc Plated



CODE	FINISHING	WEIGHT	Pcs / Box	PRICE PCS.
CI300140H002 Complete hinge	Zinc Plated	84,88 gr.	240 4 x 60 (Box x pcs. each)	€ 1,20

TOOLS

MA700140G002
Wood toolkit for flush doors
Page 148

MA701140G011
PVC toolkit for overlay doors
Page 150

MC701140G060
PVC jig for overlay doors
Page 155

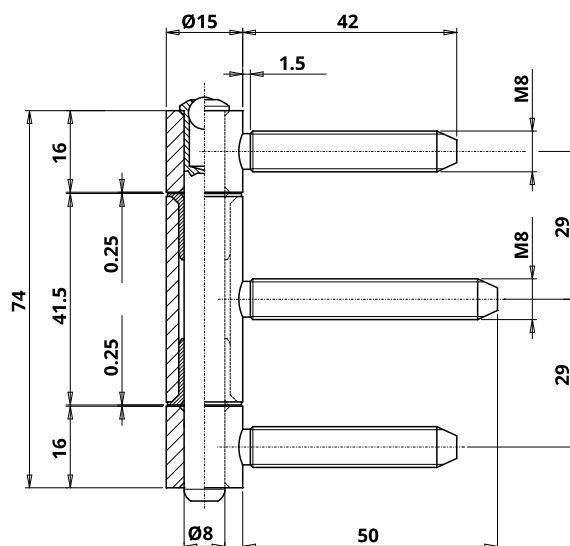
Short link


www.otlav.it - 300 Ø14

320 Ø15



Nickel Plated



CODE	FINISHING	WEIGHT	Pcs / Box	PRICE PCS.
 CI320150N002 Complete hinge	Nickel Plated	126,55 gr.	160 4 x 40 (Box x pcs. each)	€ 2,69

TOOLS



MA701150G002
Wood toolkit for overlay doors
Page 152

Short link



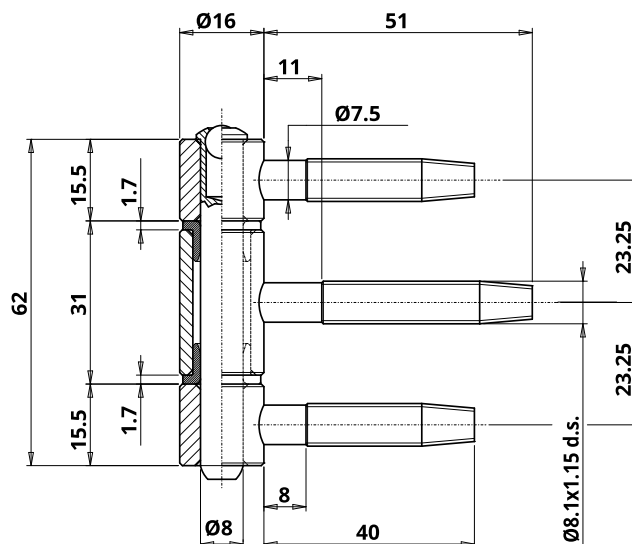
www.otlav.it - 320 Ø15


WOOD

320 Ø16



Zinc Plated



CODE	FINISHING	WEIGHT	Pcs / Box	PRICE PCS.
 CI320160H004 Complete hinge	Zinc Plated	123,3 gr.	160 4 x 40 (Box x pcs. each)	€ 1,753

TOOLS



MC701160G032
PVC jig for overlay doors
Page 155

Short link



www.otlav.it - 320 Ø16

320 Ø18

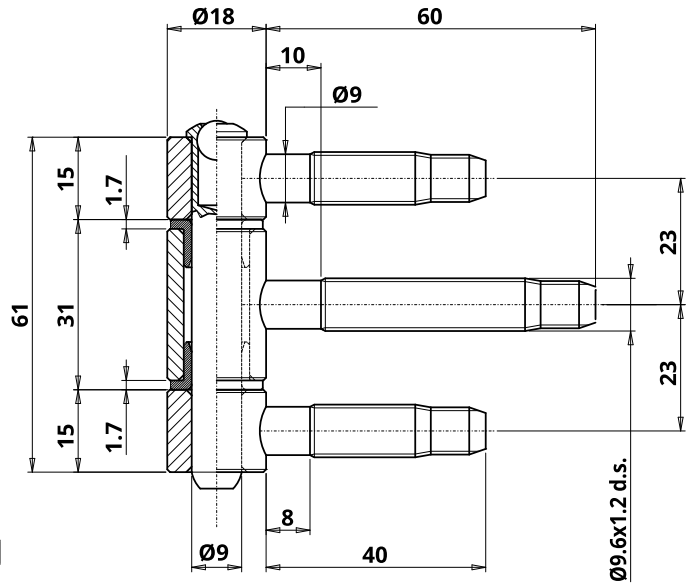




Zinc Plated



3 7 4 1 1 * 0 11

*Depending on the finish:
 Zinc Plated 2
 Bronze Plated 1



CODE	FINISHING	WEIGHT	Pcs / Box	PRICE PCS.
 CI320180H555 Complete hinge	Zinc Plated	171,13 gr.	120 4 x 30 (Box x pcs. each)	€ 2,62
 CI320180BN04 Complete hinge	Bronze Plated	171,13 gr.	120 4 x 30 (Box x pcs. each)	On request

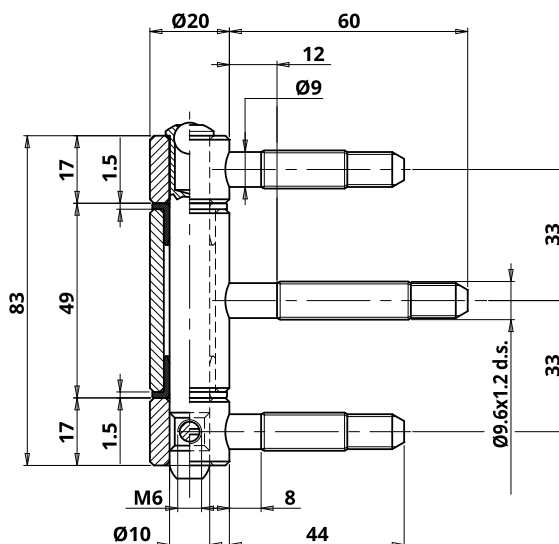
Short link




www.otlav.it - 320 Ø18



Zinc Plated



CODE	FINISHING	WEIGHT	Pcs / Box	PRICE PCS.
 CI320200H511 Complete hinge	Zinc Plated	242,42 gr.	80 4 x 20 (Box x pcs. each)	€ 4,89

Tools



MA701200G019
PVC toolkit for
overlay doors
Page 151



MC701200G032
PVC jig for overlay
doors
Page 155

Short link

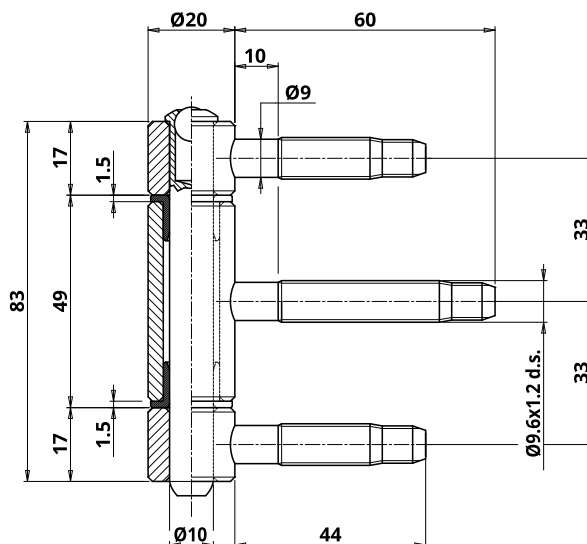



www.otlav.it - 320 Ø20

WOOD



Zinc Plated



CODE	FINISHING	WEIGHT	Pcs / Box	PRICE PCS.
 CI320200H513 Complete hinge	Zinc Plated	242,42 gr.	80 4 x 20 (Box x pcs. each)	€ 3,88

Tools



MA701200G019
PVC toolkit for
overlay doors
Page 151



MC701200G032
PVC jig for overlay
doors
Page 155

Short link



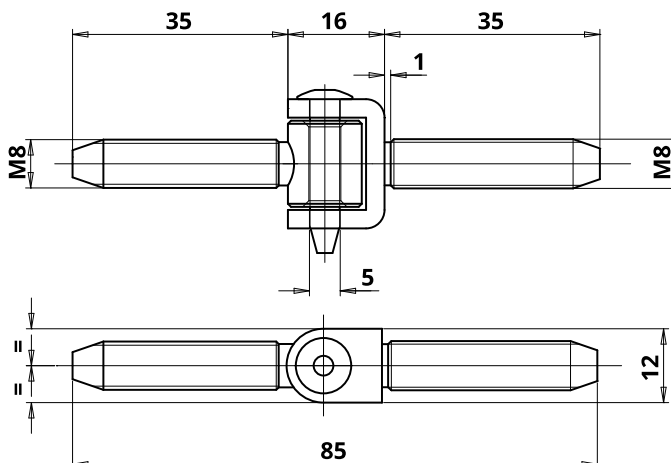
www.otlav.it - 320 Ø20

NT 021




Bolt hinge



White



1 4 1 0 1 3 0 3

CODE	FINISHING	WEIGHT	Pcs / Box	PRICE PCS.
 CE014120P320 Socket M8x35 mm pin	White (RAL 9010)	20,03 gr.	1000 1 x 1000 (Box x pcs. each)	On request
 FP0260488H02 Pin	Super Zinc Plated	3,77 gr.	5000 1 x 5000 (Box x pcs. each)	On request
 NT021120P318 Fork M8x35 pin	White (RAL 9010)	19,83 gr.	1000 1 x 1000 (Box x pcs. each)	On request

Short link

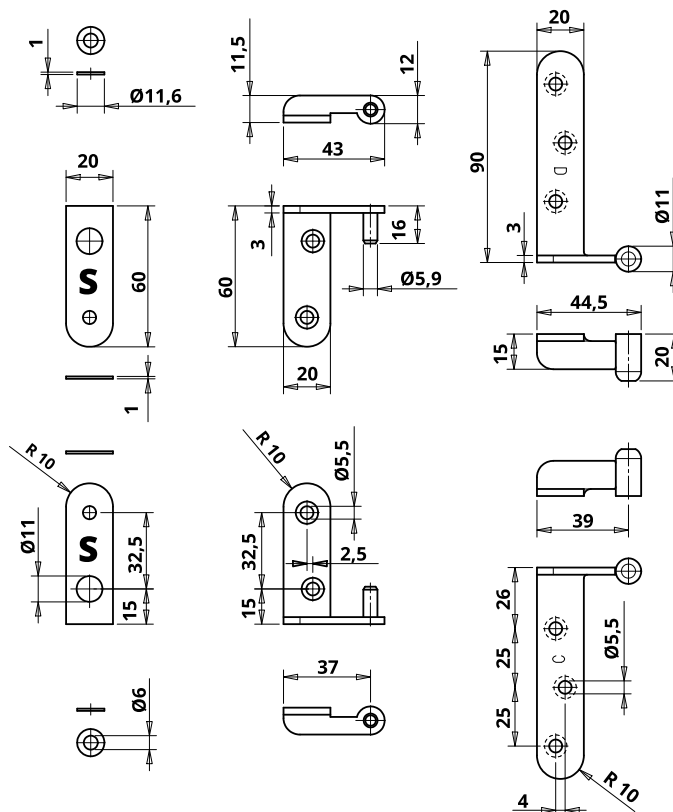




www.otlav.it - NT 021

Complete set S08, semi-disappearing pivot hinge for flush doors, reversible with 44 mm door thickness




Polished Gold



CODE	FINISHING	WEIGHT	Pcs / Box	PRICE PCS.
 CIS08110K105 Complete hinge	Polished Gold	171 gr.	70 1 x 70 (Box x pcs. Each)	€ 9,95
 CIS08110N705 Complete hinge	Satinized Nickel Plated	171 gr.	70 1 x 70 (Box x pcs. Each)	€ 9,11

Every door requires 2 devices AIS98 that must be fitted opposite each other
 The maximum load capacity for Kit S08 is 40 kg. The maximum dimensions of the door must not exceed: 100 cm x 210 cm. 180° opening angle.
 Equipped with two 1 mm-thick nylon shims (S) for adjusting the hinge on the frame if necessary.
Every door requires 2 AI S98 that must be fitted opposite each other.

ACCESSORIES



AI S98
 Door alignment device
 Page 138

Short link



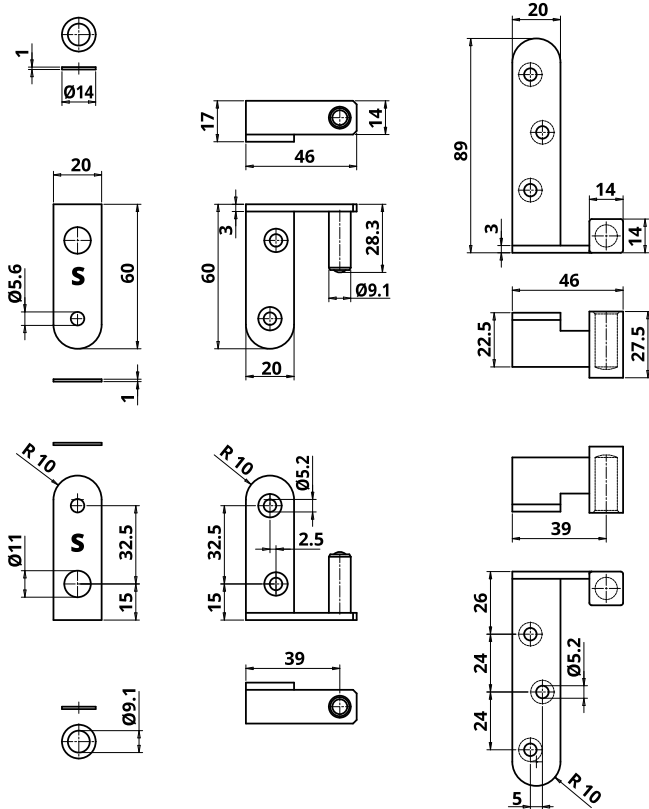
www.otlav.it - S08 Ø11

S17 Ø14

Complete set S17, semi-disappearing square pivot hinge for flush doors, reversible with 44 mm door thickness



Satinized Silver



CODE	FINISHING	WEIGHT	Pcs / Box	PRICE PCS.
 CIS17140V703 Complete hinge	Satinized Silver	269,6 gr.	40 1 x 40 (Box x pcs. Each)	€ 9,79

Every door requires 2 devices AIS98 that must be fitted opposite each other

The maximum load capacity for Kit S17 is 40 kg. The maximum dimensions of the door must not exceed: 100 cm x 210 cm. 180° opening angle.

Equipped with two 1 mm-thick nylon shims (S) for adjusting the hinge on the frame if necessary.

Every door requires 2 AI S98 that must be fitted opposite each other.

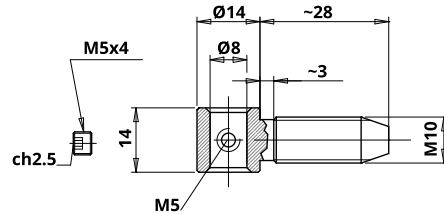
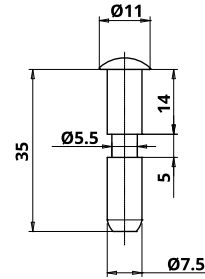




CE 014 Ø14

Pintle - socket WASISTAS pin M10x28 mm - pivot length 35 mm



Black Varnished Zinc Plated



CODE	FINISHING	WEIGHT	Pcs / Box	PRICE PCS.
 CE014140H204	Black Varnished Zinc Plated	19,54 gr.	800 4 x 200 (Box x pcs. each)	On request
 FP040075H202	Black Varnished Zinc Plated	12,3 gr.	1200 8 x 150 (Box x pcs. each)	On request

Short link



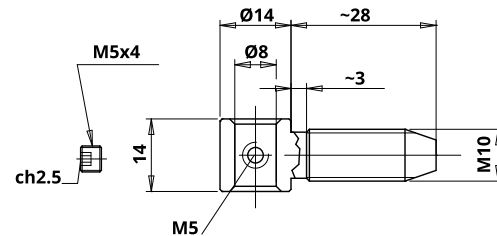
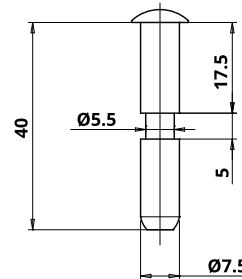
www.otlav.it - CE 014 Ø14



CE 014 Ø14

Pintle - socket WASISTAS - pin M10x28 mm - pivot length 40 mm



Black Varnished Zinc Plated



CODE	FINISHING	WEIGHT	Pcs / Box	PRICE PCS.
 CE014140H204	Black Varnished Zinc Plated	19,54 gr.	800 4 x 200 (Box x pcs. each)	On request
 FP042075H202	Black Varnished Zinc Plated	14 gr.	1200 8 x 150 (Box x pcs. each)	On request

Short link



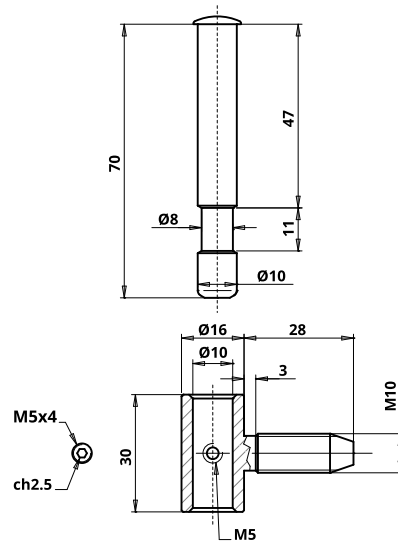
www.otlav.it - CE 014 Ø14



CE 030 Ø16

Pintle - socket WASISTAS pin M10x28 mm



Black Varnished Zinc Plated



CODE	FINISHING	WEIGHT	Pcs / Box	PRICE PCS.	Tot.
 CE030160H210	Black Varnished Zinc Plated	39,7 gr.	500 4 x 125 (Box x pcs. each)	€ 0,922	€ 1,403
 FP070100H210	Black Varnished Zinc Plated	41,7 gr.	500 4 x 125 (Box x pcs. each)	€ 0,481	

Short link



www.otlav.it - CE 030 Ø16

ADJUSTABLE hinges for WOOD

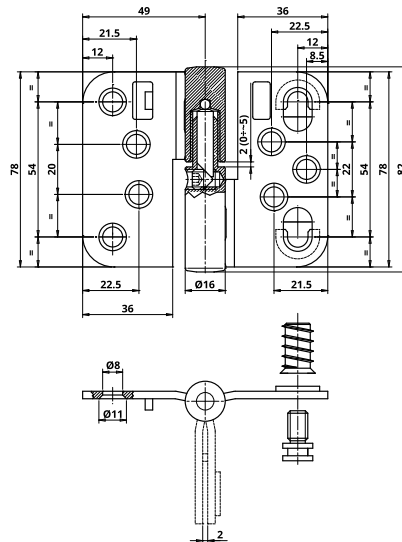








NORDEX 484 Ø16

Hinge on plates - adjustable - DIN left



Zinc Plated 12µ



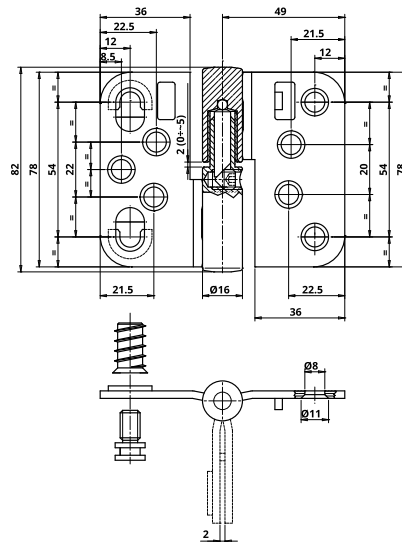
CODE	FINISHING	WEIGHT	Pcs / Box	PRICE PCS.	
 CI484160H503 Complete hinge	Zinc Plated 12µ	254,88 gr.	100 4 x 25 (Box x pcs. each)	On request	
CAPS	 838 Ø17 Aluminium caps Page 173	 838 Ø18 Brass caps Page 175	 838 Ø18 Nylon caps Page 175	 839 Ø18 Brass caps Page 178	<p>Short link</p>  <p>www.otlav.it - NORDEX 484 Ø16</p>







NORDEX 484 Ø16

Hinge on plates - adjustable - DIN right



Zinc Plated 12µ



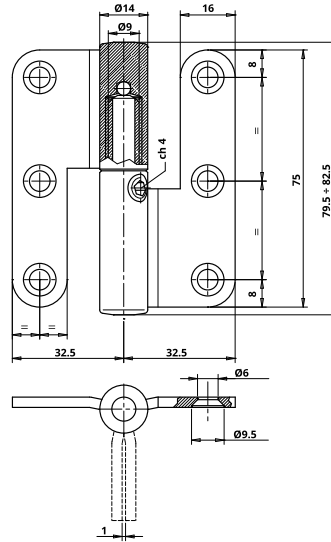
CODE	FINISHING	WEIGHT	Pcs / Box	PRICE PCS.	
 CI484160H504 Complete hinge	Zinc Plated 12µ	254,88 gr.	100 4 x 25 (Box x pcs. each)	On request	
CAPS	 838 Ø17 Aluminium caps Page 173	 838 Ø18 Brass caps Page 175	 838 Ø18 Nylon caps Page 175	 839 Ø18 Brass caps Page 178	<p>Short link</p>  <p>www.otlav.it - NORDEX 484 Ø16</p>

POMELLAS Ø14

Hinge on plates - adjustable - DIN left



Zinc Plated



CODE	FINISHING	WEIGHT	Pcs / Box	PRICE PCS.
 CI485140H003 Complete hinge	Zinc Plated	150 gr.	120 4 x 30 (Box x pcs. each)	€ 6,42
 CI485140K103 Complete hinge	Polished Gold	150 gr.	120 4 x 30 (Box x pcs. each)	On request

CAPS	838 Ø15 Aluminium cap	838 Ø16 Brass cap	838 Ø16 Nylon cap	839 Ø16 Brass cap	846 Ø15 Aluminium cap
	Page 170	Page 171	Page 172	Page 177	Page 179

Short link



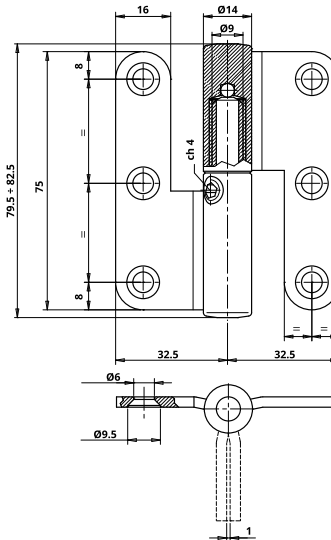
www.otlav.it - POMELLAS Ø14

POMELLAS Ø14

Hinge on plates - adjustable - DIN right



Zinc Plated



CODE	FINISHING	WEIGHT	Pcs / Box	PRICE PCS.
 CI485140H004 Complete hinge	Zinc Plated	150 gr.	120 4 x 30 (Box x pcs. each)	€ 6,42
 CI485140K104 Complete hinge	Polished Gold	150 gr.	120 4 x 30 (Box x pcs. each)	On request

CAPS	838 Ø15 Aluminium cap	838 Ø16 Brass cap	838 Ø16 Nylon cap	839 Ø16 Brass cap	846 Ø15 Aluminium cap
	Page 170	Page 171	Page 172	Page 177	Page 179

Short link



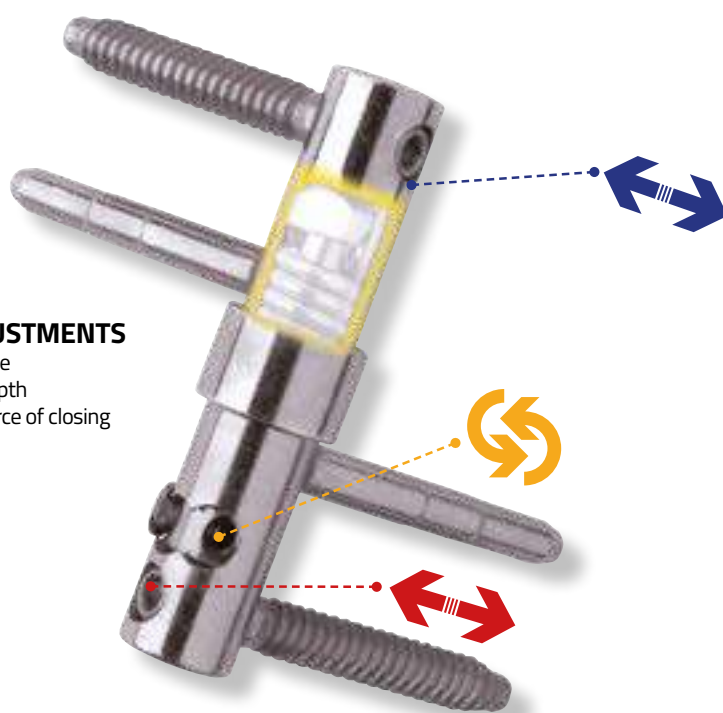
www.otlav.it - POMELLAS Ø14

488 Ø16

SELF-CLOSING

Developed to combine perfectly with the technology of the Exacta hinge, this hinge ensures that the door on which it is mounted closes automatically. The force of the closure can be easily adjusted and it is a particularly advantageous solution for large scale applications.

For doors weighing up to 40 Kg, the fitting of a traditional EXACTA hinge in the middle and two 488 SELF-CLOSING hinges at the ends of the door is recommended; whereas for doors weighing between 40 and 60 Kg. it is advisable to fit two traditional EXACTA hinges at the ends of the door and two 488 SELF-CLOSING hinges in the middle.



ADJUSTMENTS

- Side
- Depth
- Force of closing



1. By acting on the threaded pin it is possible to quickly fit the hinge using the appropriate hexagonal bit for electrical drill screws and then make the side precision adjustment using the special "T" wrench.



2/3. The force of the automatic closing, which also depends on the weight and size of the door, can easily be adjusted by varying the position of the special adjusting screw. This operation is clearly illustrated in the mounting diagram supplied with the hinges.

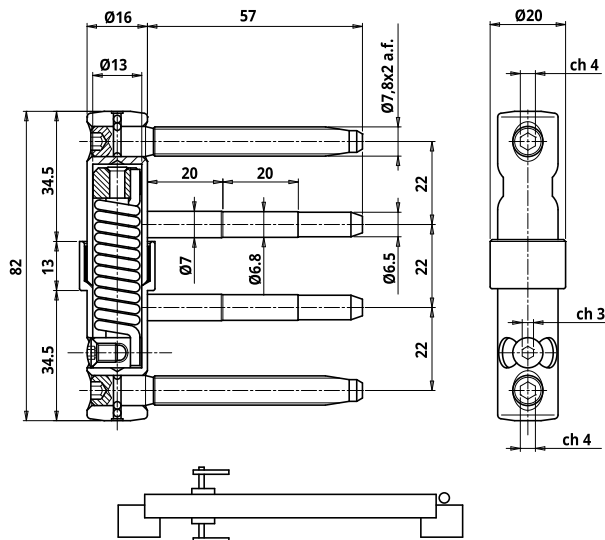


488 Ø16

Adjustable self-closing hinge DIN left



Zinc Plated

**CODE****FINISHING****WEIGHT****Pcs / Box****PRICE PCS.****CI488160H504**

Complete hinge

Zinc Plated 12 μ

174,88 gr.

100
4 x 25 (Box x pcs. each)

€ 19,00

TOOLS**MA700160G006**
PVC toolkit for flush doors
Page 148**MA701160G035**
PVC toolkit for overlay doors
Page 150**MA801160G028**
Rod
Page 154**MC701160G035**
PVC jig for overlay doors
Page 155

Short link



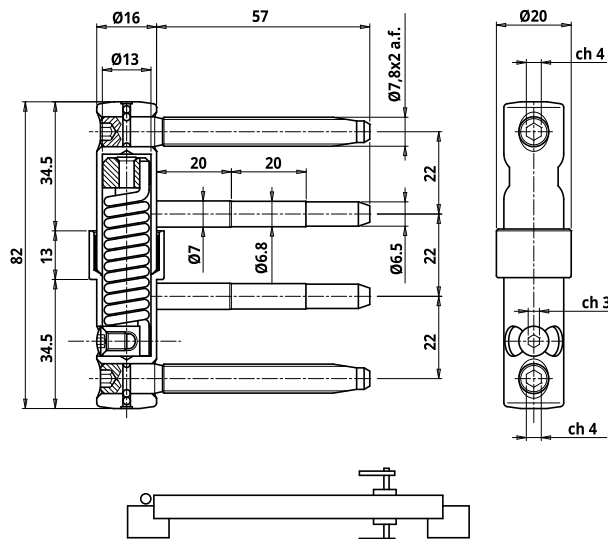
www.otlav.it - 488 Ø16

488 Ø16

Adjustable self-closing hinge DIN right



Zinc Plated

**CODE****FINISHING****WEIGHT****Pcs / Box****PRICE PCS.****CI488160H506**

Complete hinge

Zinc Plated 12 μ

174,88 gr.

100
4 x 25 (Box x pcs. each)

€ 19,00

TOOLS**MA700160G006**
PVC toolkit for flush doors
Page 148**MA701160G035**
PVC toolkit for overlay doors
Page 150**MA801160G028**
Rod
Page 154**MC701160G035**
PVC jig for overlay doors
Page 155

Short link



www.otlav.it - 488 Ø16

ADJUSTABLE

EXACTA

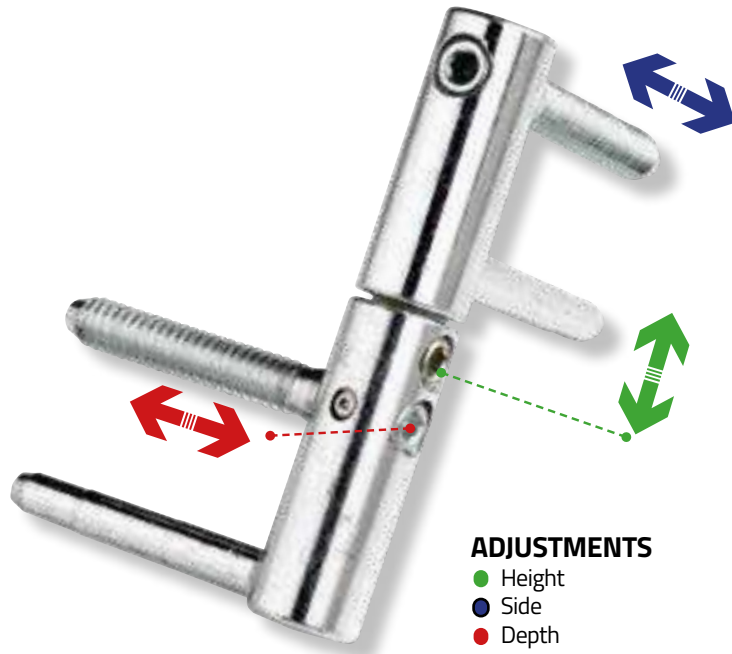
Designed to combine the perfection of three-dimensional fixture adjustment with an easy and, above all, reliable system, Exacta epitomizes the essence of OTLAV functionality.

The practical aspects of Exacta are built into each component of the hinge.

Every part that makes up this sophisticated adjustment system has been meticulously designed and only the best materials are used after having passed strict inspection tests.

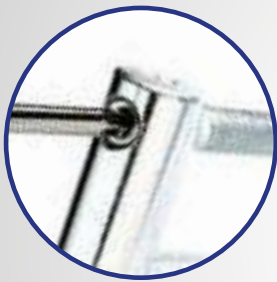
A wide range of brass, steel and ABS caps means that doors and windows can now be given a personal touch of style.

Exacta's precision, reliability and practicality are all concepts that perfectly reflect the OTLAV style, which has always been geared towards continually advancing its product technology.



ADJUSTMENTS

- Height
- Side
- Depth



By acting on the threaded pin it is possible to quickly fit the hinge using the appropriate hexagonal bit for electrical drill screws and then make the side precision adjustment using the special "T" wrench.

The wide, self-threading pitch not only means that assembling time is greatly reduced.

By using a "T" wrench it is possible to adjust the height of the pivot, therefore raising the female part. The weight of the door is evenly distributed over all the door-frame hinges thanks to the great sensitivity of the height adjusting device.

EXACTA Ø13

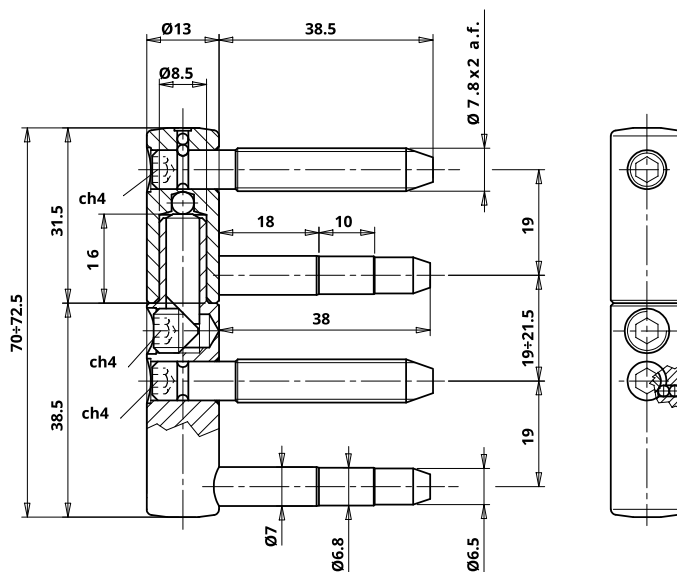
3D adjustable hinge - pins 7,8x38 mm





Zinc Plated 12 μ



3 7 4 0 1 2 0 1 1



CODE	FINISHING	WEIGHT	Pcs / Box	PRICE PCS.	TOT.
 CF495130H502 Female part	Zinc Plated 12 μ	45 gr.	320 4 x 80 (Box x pcs. each)	€ 1,461	€ 3,871
 CG495130H502 Male part	Zinc Plated 12 μ	64 gr.	320 4 x 80 (Box x pcs. each)	€ 2,41	

<p>TOOLS</p> <p>MA701130G024 Aluminium toolkit for overlay doors Page 152</p>	<p>MC701130G022 Aluminium jig for overlay doors Page 156</p>	<p>CAPS</p> <p>838 Ø14 Aluminium cap Page 170</p>
---	---	---

Short link

www.otlav.it - EXACTA Ø13

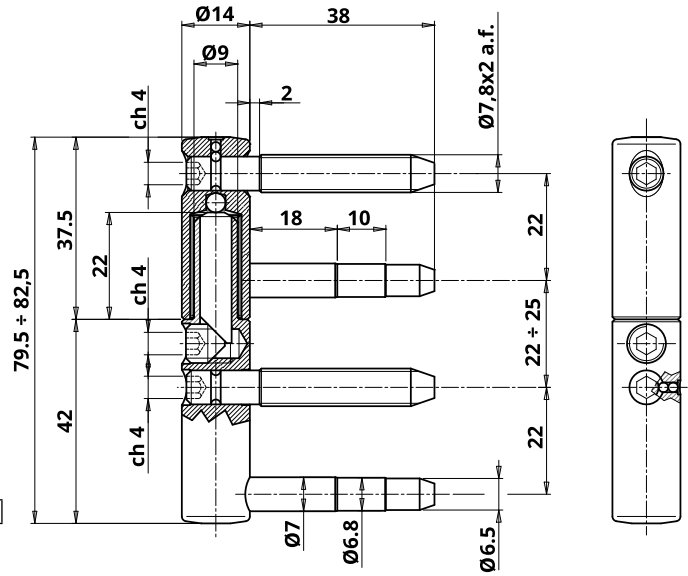


Zinc Plated 12µ



3 7 4 1 1 * 0 11

*Depending on the finish:	
Bronze Plated	1
Zinc Plated 12µ	2
Zinc Nickel 7µ	5



CODE	FINISHING	WEIGHT	Pcs / Box	PRICE PCS.	TOT.
CF495140BN02 Female part	Bronze Plated	55,45 gr.	260 4 x 65 (Box x pcs. each)	€ 1,90	€ 4,60
CG495140BN02 Male part	Bronze Plated	76,8 gr.	260 4 x 65 (Box x pcs. each)	€ 2,70	
CF495140H519 Female part	Zinc Plated 12µ	52,8 gr.	260 4 x 65 (Box x pcs. each)	€ 1,753	€ 4,383
CG495140H502 Male part	Zinc Plated 12µ	76,8 gr.	260 4 x 65 (Box x pcs. each)	€ 2,63	
CF495140H002 Female part High resistance to corrosion	Zinc Nickel 7µ	52,8 gr.	260 4 x 65 (Box x pcs. each)	€ 2,00	€ 4,636
CG495140H004 Male part High resistance to corrosion	Zinc Nickel 7µ	81,8 gr.	260 4 x 65 (Box x pcs. each)	€ 2,636	

TOOLS	MA700160G006 PVC toolkit for flush doors Page 148	MA701160G035 PVC toolkit for overlay doors Page 150	MA801160G028 Rod Page 154	MC701160G035 PVC jig for overlay doors Page 155	
CAPS	838 Ø15 Aluminium cap Page 170	838 Ø16 Brass cap Page 171	838 Ø16 Nylon cap Page 172	839 Ø16 Brass cap Page 177	846 Ø15 Aluminium cap Page 179



ADJUSTABLE

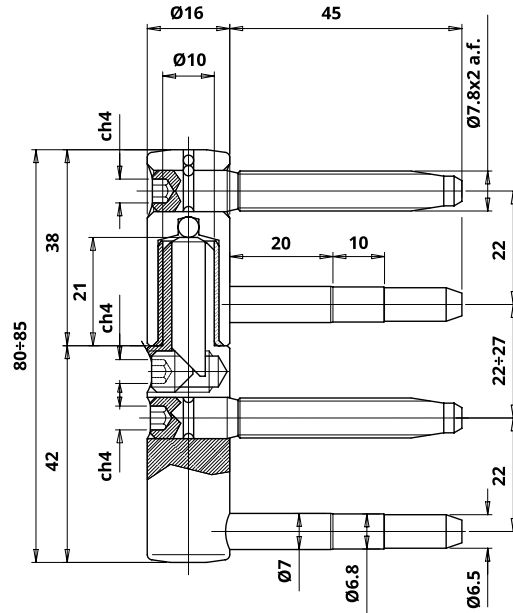


Zinc Plated 12µ



4 7 5 1 1 * 0 12

*Depending on the finish:
Bronze Plated 1
Zinc Plated 12µ 2



CODE	FINISHING	WEIGHT	Pcs / Box	PRICE PCS.	TOT.
CF495160BN02 Female part	Bronze Plated	64,44 gr.	200 4 x 50 (Box x pcs. each)	€ 2,193	€ 5,263
CG495160BN02 Male part	Bronze Plated	96,24 gr.	200 4 x 50 (Box x pcs. each)	€ 3,07	
CF495160H502 Female part	Zinc Plated 12µ	64,44 gr.	200 4 x 50 (Box x pcs. each)	€ 2,046	€ 5,116
CG495160H502 Male part	Zinc Plated 12µ	96,24 gr.	200 4 x 50 (Box x pcs. each)	€ 3,07	

TOOLS	MA700160G006 PVC toolkit for flush doors Page 148	MA701160G035 PVC toolkit for overlay doors Page 150	MA801160G028 Rod Page 154	MC701160G035 PVC jig for overlay doors Page 155	
	CAPS	838 Ø17 Aluminium caps Page 173	838 Ø18 Brass caps Page 175	838 Ø18 Nylon caps Page 175	839 Ø18 Brass caps Page 178
		846 Ø17 Aluminium caps Page 180			

Short link

www.otlav.it - EXACTA Ø16

ADJUSTABLE

EXACTA Ø16

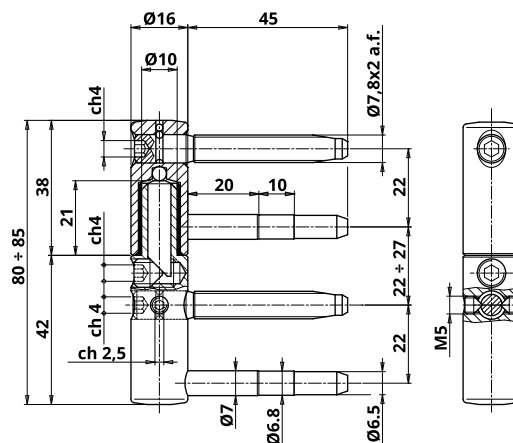
3D adjustable hinge - pins 7,8x45 mm - ANTI-UNTHREADING





Zinc Plated 12µ



4 7 5 1 1 2 0 12



CODE	FINISHING	WEIGHT	Pcs / Box	PRICE PCS.	TOT.
 CF495160H502 Female part	Zinc Plated 12µ	64,44 gr.	200 4 x 50 (Box x pcs. each)	€ 2,046	€ 6,866
 CG495160H504 Male part	Zinc Plated 12µ	96,24 gr.	200 4 x 50 (Box x pcs. each)	€ 4,82	

Short link



www.otlav.it - EXACTA Ø16

EXACTA Ø16

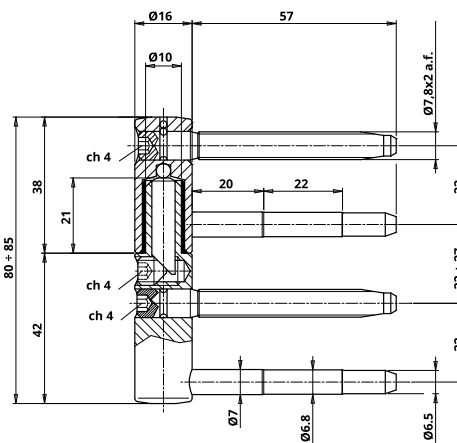
3D adjustable hinge - pins 7,8x57 mm









Zinc Plated 12µ

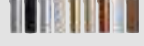

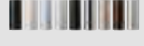




4 7 5 1 1 2 0 12



CODE	FINISHING	WEIGHT	Pcs / Box	PRICE PCS.	TOT.
 CF495160H507 Female part	Zinc Plated 12µ	71,44 gr.	200 4 x 50 (Box x pcs. each)	€ 2,162	€ 5,372
 CG495160H507 Male part	Zinc Plated 12µ	103,64 gr.	200 4 x 50 (Box x pcs. each)	€ 3,21	

TOOLS	MA700160G006	MA701160G035	MA801160G028	MC701160G035
	PVC toolkit for flush doors Page 148		PVC toolkit for overlay doors Page 150	
			Rod Page 154	
				PVC jig for overlay doors Page 155

CAPS	838 Ø17	838 Ø18	838 Ø18	839 Ø18	846 Ø17
	Aluminium caps Page 173		Brass caps Page 175		Nylon caps Page 175
				Brass caps Page 178	
					Aluminium caps Page 180

Short link



www.otlav.it - EXACTA Ø16

EXACTA Ø16

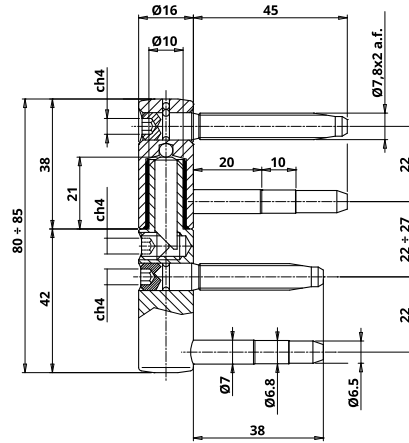
3D adjustable hinge - female pins 7,8x45 mm - male pins 7,8x38 mm



Zinc Plated 12µ



4 7 5 1 1 2 0 12



CODE	FINISHING	WEIGHT	Pcs / Box	PRICE PCS.	TOT.
CF495160H502 Female part	Zinc Plated 12µ	64,44 gr.	200 4 x 50(Box x pcs. each)	€ 2,046	€ 5,256
CG495160H517 Male part	Zinc Plated 12µ	96,24 gr.	200 4 x 50(Box x pcs. each)	€ 3,21	

Short link



www.otlav.it - EXACTA Ø16

EXACTA Ø16

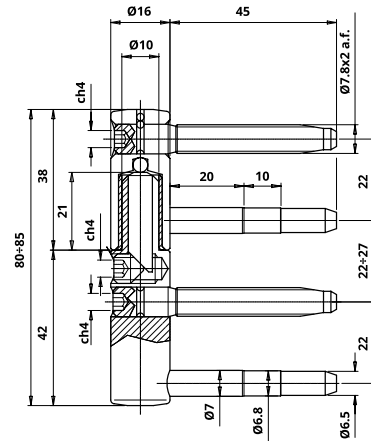
3D adjustable hinge - **stainless steel** - with nylon bush - pins 7,8x45 mm



Matt Stainless Steel



4 7 5 1 1 5 0 12



CODE	FINISHING	WEIGHT	Pcs / Box	PRICE PCS.
CI495160IM02 Complete hinge	Matt Stainless Steel	159,77 gr.	120 8 x 15(Box x pcs. each)	€ 29,50

TOOLS
MA700160G006 PVC toolkit for flush doors Page 148
MA701160G035 PVC toolkit for overlay doors Page 150
MA801160G028 Rod Page 154
MC701160G035 PVC jig for overlay doors Page 155

CAPS				
838 Ø17 Aluminium caps Page 173	838 Ø18 Brass caps Page 175	838 Ø18 Nylon caps Page 175	839 Ø18 Brass caps Page 178	846 Ø17 Aluminium caps Page 180

Short link



www.otlav.it - EXACTA Ø16

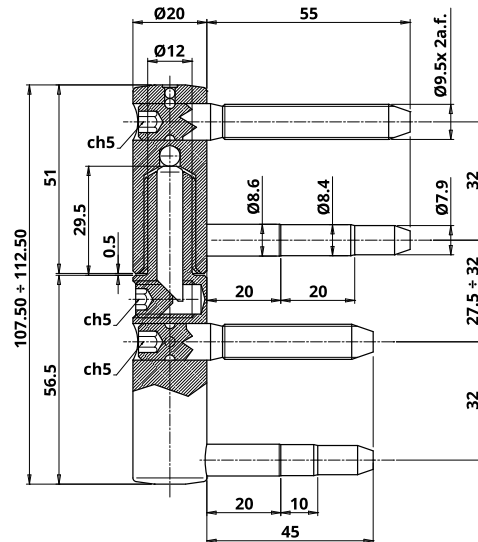
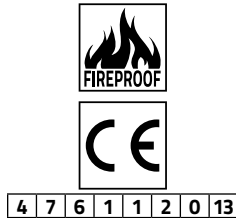
ADJUSTABLE

EXACTA Ø20

3D adjustable hinge - female pins 9,5x55 mm - male pins 9,5x45 mm



Zinc Plated 12µ



CODE	FINISHING	WEIGHT	Pcs / Box	PRICE PCS.	Tot.
CF495200H502 Female part	Zinc Plated 12µ	132,08 gr.	100 4 x 25 (Box x pcs. each)	€ 3,80	€ 9,35
CG495200H509 Male part	Zinc Plated 12µ	189,28 gr.	100 4 x 25 (Box x pcs. each)	€ 5,55	

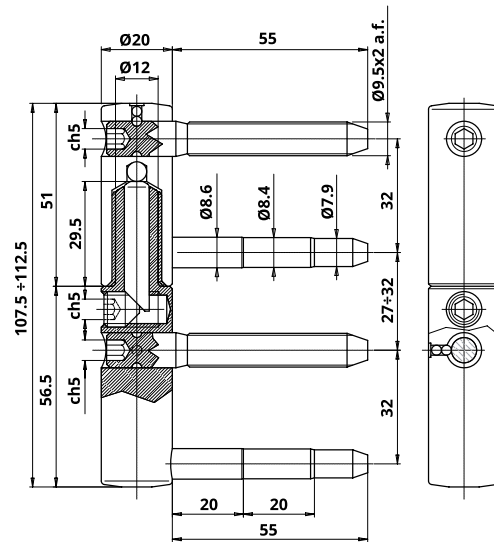
TOOLS	MA700200G010 Wood toolkit for flush doors Page 149	MA701200G014 PVC toolkit for overlay doors Page 150	MC701200G009 PVC jig for overlay doors Page 155	CAPS	838 Ø22 Brass cap Page 176	838 Ø22 Nylon cap Page 177	839 Ø22 Brass cap Page 178	Short link www.otlav.it - EXACTA Ø20

EXACTA Ø20

3D adjustable hinge - pins 9,5x55 mm



Zinc Plated 12µ



CODE	FINISHING	WEIGHT	Pcs / Box	PRICE PCS.	Tot.
CF495200H502 Female part	Zinc Plated 12µ	132,08 gr.	100 4 x 25 (Box x pcs. each)	€ 3,80	€ 8,18
CG495200H502 Male part	Zinc Plated 12µ	196,48 gr.	100 4 x 25 (Box x pcs. each)	€ 4,38	

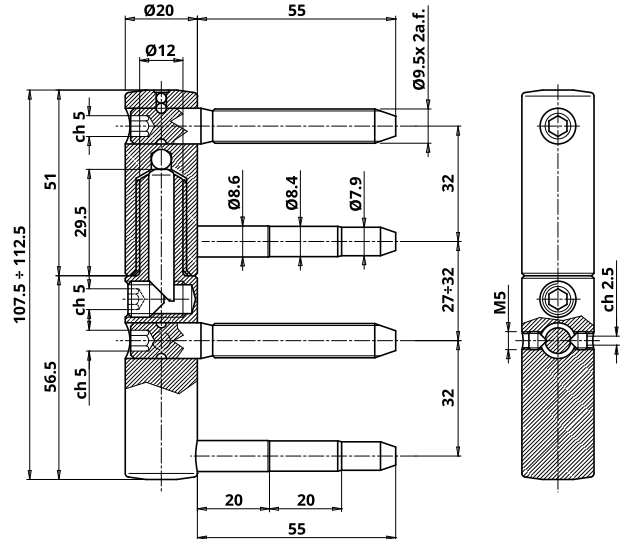
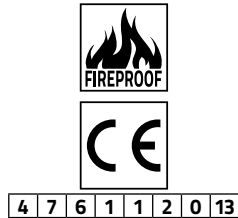
TOOLS	MA700200G010 Wood toolkit for flush doors Page 149	MA701200G014 PVC toolkit for overlay doors Page 150	MC701200G009 PVC jig for overlay doors Page 155	CAPS	838 Ø22 Brass cap Page 176	838 Ø22 Nylon cap Page 177	839 Ø22 Brass cap Page 178	Short link www.otlav.it - EXACTA Ø20

EXACTA Ø20

3D adjustable hinge - pins 9,5x55 mm - ANTI-UNTHREADING



Zinc Plated 12µ



CODE	FINISHING	WEIGHT	Pcs / Box	PRICE PCS.	TOT.
CF495200H502 Female part	Zinc Plated 12µ	132,08 gr.	100 4 x 25 (Box x pcs. each)	€ 3,80	€ 11,10
CG495200H505 Male part	Zinc Plated 12µ	196,48 gr.	100 4 x 25 (Box x pcs. each)	€ 7,30	

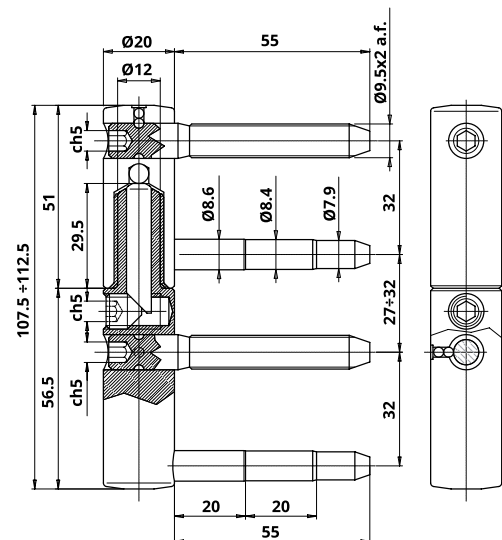
Tools	MA700200G010 Wood toolkit for flush doors Page 149	MA701200G014 PVC toolkit for overlay doors Page 150	MC701200G009 PVC jig for overlay doors Page 155	CAPS	838 Ø22 Brass cap Page 176	838 Ø22 Nylon cap Page 177	839 Ø22 Brass cap Page 178	Short link www.otlav.it - EXACTA Ø20

EXACTA Ø20

3D adjustable hinge - stainless steel - with nylon bush - pins 9,5x55 mm



Matt Stainless Steel



CODE	FINISHING	WEIGHT	Pcs / Box	PRICE PCS.
CI495200IM02 Complete hinge	Matt Stainless Steel	331,79 gr.	64 8 x 8 (Box x pcs. each)	€ 56,00

Tools	MA700200G010 Wood toolkit for flush doors Page 149	MA701200G014 PVC toolkit for overlay doors Page 150	MC701200G009 PVC jig for overlay doors Page 155	CAPS	838 Ø22 Brass cap Page 176	838 Ø22 Nylon cap Page 177	839 Ø22 Brass cap Page 178	Short link www.otlav.it - EXACTA Ø20

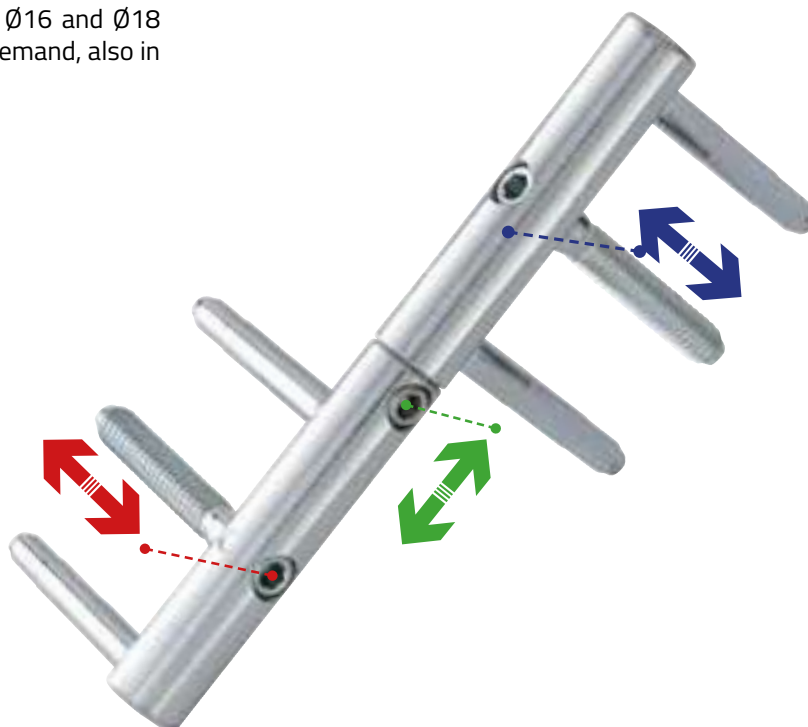
ADJUSTABLE

URSUS

495 Ursus Adjustable hinge specific for massive, therefore heavy doors with particularly wide shutters.

Perfect alignment of the hinge, thanks to the three pins on the male part, that maintain in time the original vertical order of the hinge.

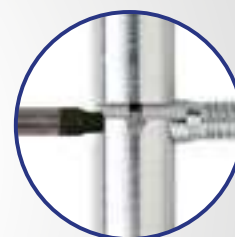
495 Ursus with 5 pins is available in diameter 14, 16 and 18 mm. Ursus hinge Ø14, which can be used with the female part Exacta 495 Ø14, is normally available in the 6 pins version (3 pins on the female and 3 on the male part). Ursus Ø16 and Ø18 are available, on demand, also in the 6 pins version.



Depth adjustment



Height adjustment



Side adjustment

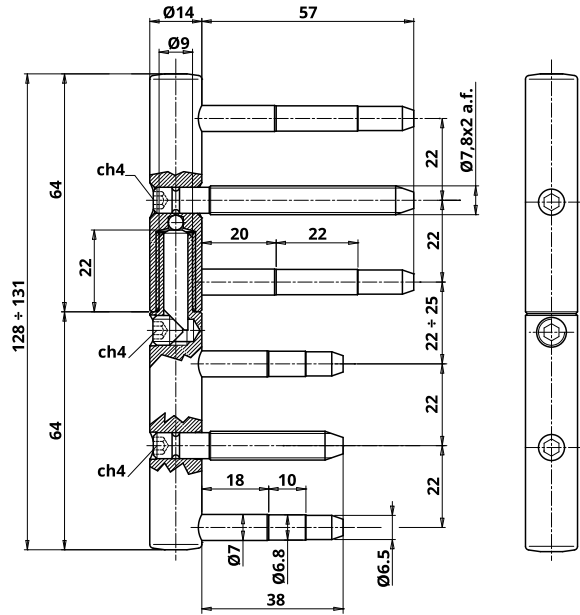
3D adjustable hinge - female 3 pins 7,8x57 mm - male 3 pins 7,8x38 mm - for heavy doors





Super Zinc Plated



3 7 4 1 1 3 0 11



CODE	FINISHING	WEIGHT	Pcs / Box	PRICE PCS.	TOT.
 CF4951408H13 Female part	Super Zinc Plated	101,7 gr.	180 4 x 45 (Box x pcs. each)	€ 4,20	€ 8,43
 CG4951408H06 Male part	Super Zinc Plated	114 gr.	180 4 x 45 (Box x pcs. each)	€ 4,23	



838 Ø15
Aluminium cap



URSUS Ø16

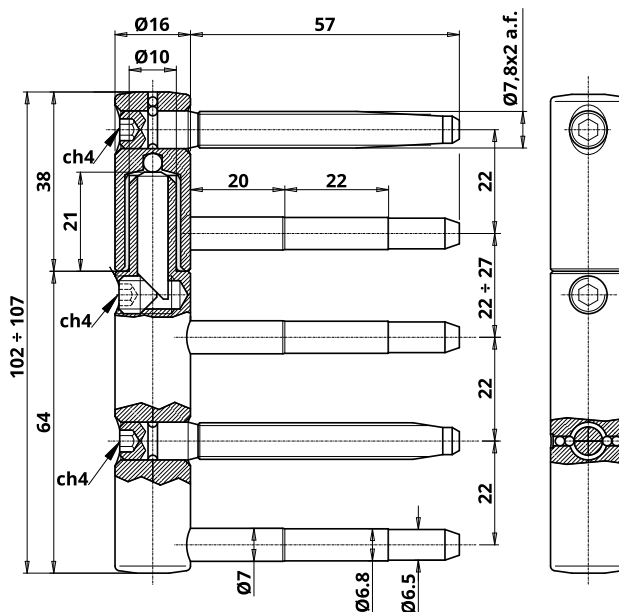
3D adjustable hinge - 5 pins 7,8x57 mm - for heavy doors





Super Zinc Plated



4 7 6 1 1 3 0 13



CODE	FINISHING	WEIGHT	Pcs / Box	PRICE PCS.	TOT.
 CI4951608H02 Complete hinge	Super Zinc Plated	228,26 gr.	80 8 x 10 (Box x pcs. each)	€ 8,79	€ 14,87
 CG4951608H02 Male part	Super Zinc Plated	156,82 gr.	80 8 x 10 (Box x pcs. each)	€ 6,08	

TOOLS

MC701160G067
 Aluminium jig for overlay doors
 Page 156

CAPS

838 Ø17
 Aluminium cap
 Page 174

Short link

www.otlav.it - URSUS Ø16

URSUS Ø18

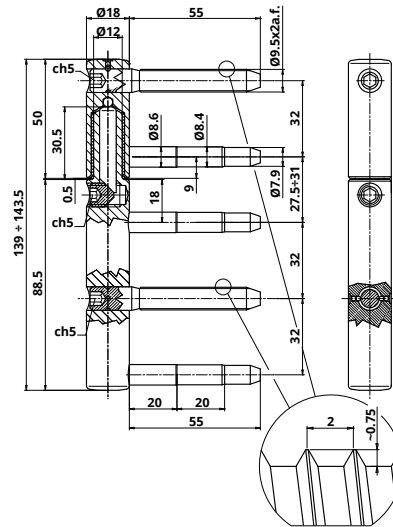
3D adjustable hinge, 5 pins 9,5x55 mm - for heavy doors



Super Zinc Plated



4 7 7 1 1 3 0 14



CODE	FINISHING	WEIGHT	Pcs / Box	PRICE PCS.
CI4951808H02 Complete hinge	Super Zinc Plated	362,65 gr.	40 4 x 10 (Box x pcs. each)	€ 11,69

TOOLS

MA701180G008
Aluminium jig for overlay doors
Page 151

CAPS

838 Ø19
Aluminium cap
Page 176

Short link

www.otlav.it - URSUS Ø18

URSUS Ø18

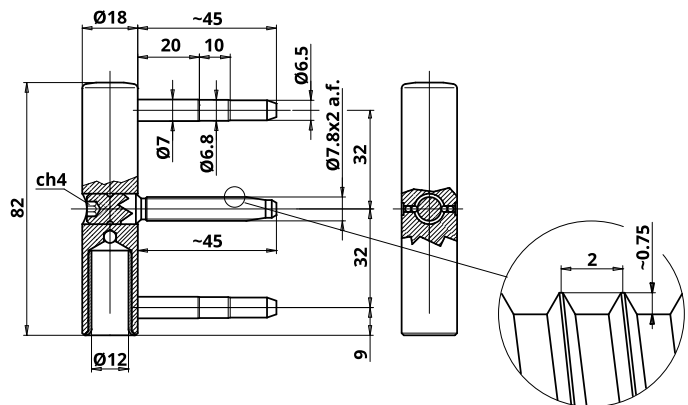
Female part with 3 pins 7,8x45 mm - adjustable - with nylon bush



Super Zinc Plated



4 7 7 1 1 3 0 14



CODE	FINISHING	WEIGHT	Pcs / Box	PRICE PCS.
CF4951808H07 Female part	Super Zinc Plated	164,5 gr.	80 4 x 20 (Box x pcs. each)	€ 4,99

TOOLS

MA701180G008
Aluminium jig for overlay doors
Page 151

CAPS

838 Ø19
Aluminium cap
Page 176

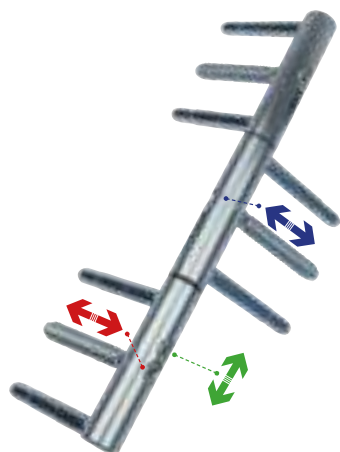
Short link

www.otlav.it - URSUS Ø18

ADJUSTABLE

URSUS PLUS

NEW



ADJUSTMENTS

- Height
- Side
- Depth



Ursus-Plus is a special **hinge for massive heavy duty doors** with particularly wide shutters.

Ursus-Plus allows perfect alignment of the door, thanks to the three parts and nine pins, that maintain in time the original vertical order of the hinge.

Ursus-Plus guarantees top quality and reliable performance, it has passed 200.000 cycles test for a **capacity of 200 kg.**

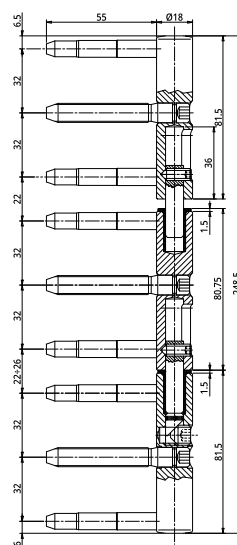
Ursus-Plus is **adjustable on three axes.** The end caps are available in several finishes to provide versatile, elegant and modern design.

475 Ø18

3 parts hinge - 3D adjustable - 9 pins - Capacity 200 kg.



Zinc Plated 12 μ



CODE	FINISHING	WEIGHT	Pcs / Box	PRICE PCS.
C1475180H502 Complete hinge	Zinc Plated 12 μ	650 gr.	12 2 x 6 (Box x pcs. Each*)	On request

Short link



www.otlav.it - 475 Ø180

Hinges for
METAL profiles

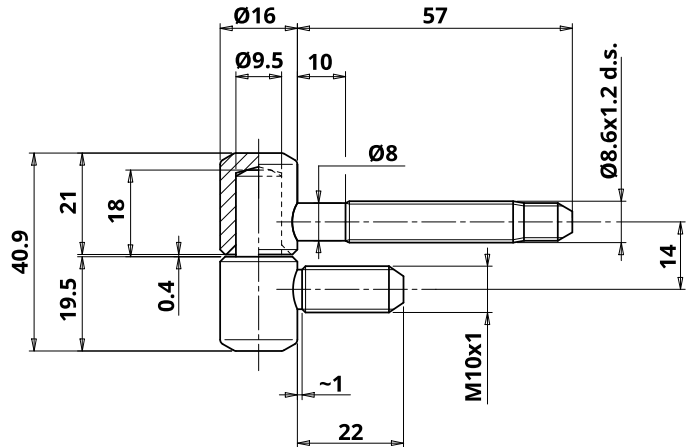




031 Ø16

3D adjustable hinge - female pins 8,6x57 mm - male pins M10x22 mm



Zinc Plated



CODE	FINISHING	WEIGHT	Pcs / Box	PRICE PCS.	Tot.
 CF031160H006 Female part	Zinc Plated	42,95 gr.	320 4 x 80 (Box x pcs. each)	€ 0,495	€ 1,11
 CG031160H006 Male part	Zinc Plated	50,87 gr.	390 1 x 390 (Box x pcs. each)	€ 0,615	

Short link



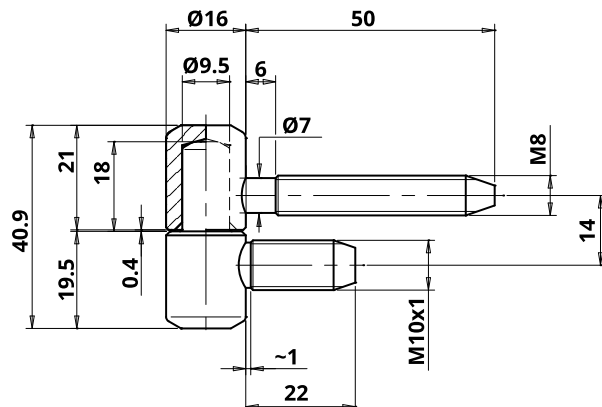
www.otlav.it - 031 Ø16



031 Ø16

3D adjustable hinge - female pins M8x50 mm - male pins M10x22 mm



Nickel Plated



CODE	FINISHING	WEIGHT	Pcs / Box	PRICE PCS.	Tot.
 CF031160N006 Female part	Nickel Plated	37,7 gr.	320 4 x 80 (Box x pcs. each)	€ 0,59	€ 1,351
 CG031160N002 Male part	Nickel Plated	51,08 gr.	320 4 x 80 (Box x pcs. each)	€ 0,761	

Short link



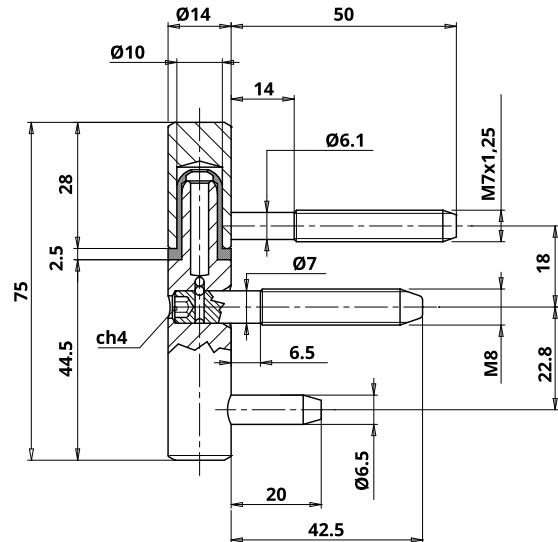
www.otlav.it - 031 Ø16


095 Ø14

Complete hinge, female part with nylon bush, adjustable male part with 2 pins



Static Nickel Plated



CODE	FINISHING	WEIGHT	Pcs / Box	PRICE PCS.
 CI095140N106 Complete hinge	Static Nickel Plated	105,35 gr.	180 18 x 10(Box x pcs. each)	€ 2,92

Short link

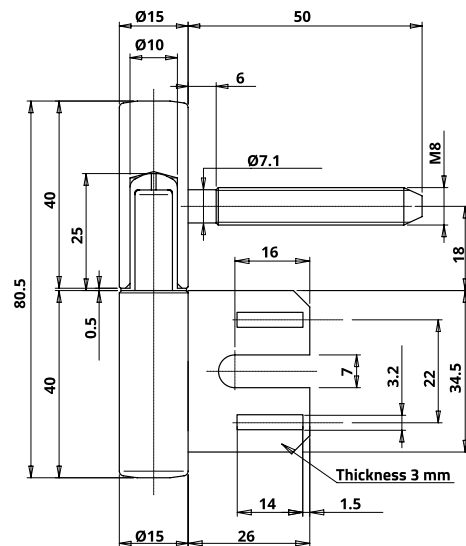




www.otlav.it - 095 Ø14

102 Ø15



Nickel Plated



CODE	FINISHING	WEIGHT	Pcs / Box	PRICE PCS.	Tot.
 CF100150N007 Female part	Nickel Plated	52,04 gr.	300 1 x 300(Box x pcs. each)	€ 0,621	€ 2,07
 CG102150N003 Male part with plate	Nickel Plated	56,73 gr.	250 1 x 250(Box x pcs. each)	€ 1,449	

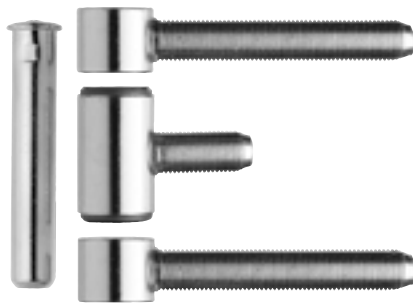
Short link



www.otlav.it - 102 Ø15

320 Ø18

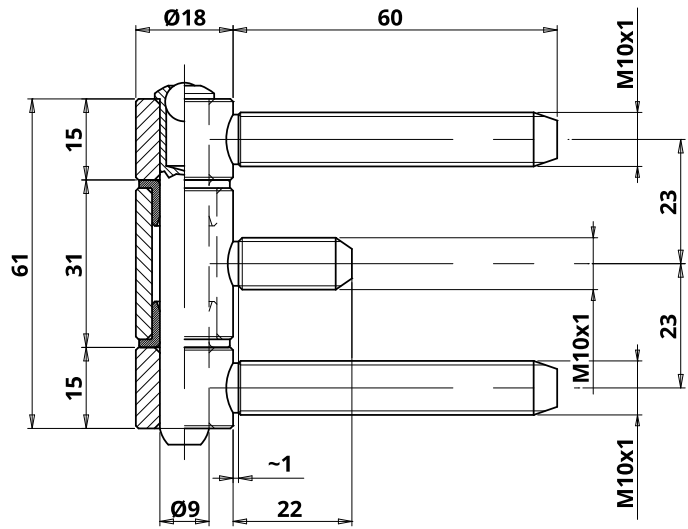
3 bushes hinge - lateral pins M10x60 mm - central pin M10x22 mm






Nickel Plated



3 7 4 1 1 1 0 11



CODE	FINISHING	WEIGHT	Pcs / Box	PRICE PCS.
 CE015180N026 External bush for art. 320 Ø18	Nickel Plated	53,06 gr.	360 4 x 90 (Box x pcs. each)	On request
 CE031180N005 Central bush with nylon ring for art. 320 Ø18	Nickel Plated	42,26 gr.	480 4 x 120 (Box x pcs. each)	On request
 FP069090N003 Pivot for 320 Ø18	Nickel Plated	31,58 gr.	640 4 x 160 (Box x pcs. each)	€ 0,395

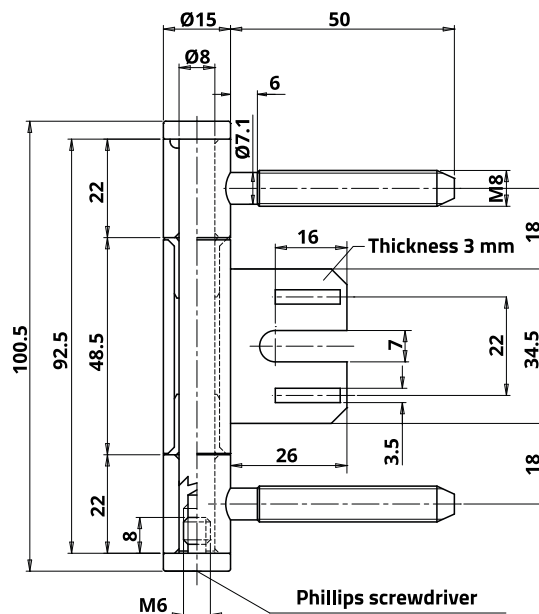
Short link









www.otlav.it - 320 Ø18



2 7 3 1 1 1 0 10



CODE	FINISHING	WEIGHT	Pcs / Box	PRICE PCS.
 CI335150N029 Complete hinge	Nickel Plated	154,08 gr.	100 4 x 25 (Box x pcs. each)	€ 3,37
 CI335150N017 External bushes with pivot and head for art. 335 Ø15	Nickel Plated	114,4 gr.	160 4 x 40 (Box x pcs. each)	€ 2,258
 CE022146N002 External bush with 50 mm pin for art. 335 Ø15	Nickel Plated	35,63 gr.	400 1 x 400 (Box x pcs. each)	€ 0,564
 CE047146N008 Central bush with plate and nylon ring for art. 335 Ø15	Nickel Plated	49,2 gr.	300 1 x 300 (Box x pcs. each)	€ 1,204
 FP096080N004 Pivot for 335 Ø15	Nickel Plated	38,6 gr.	400 1 x 400 (Box x pcs. each)	€ 0,895
 TE012150N005 Head for art. 335 Ø15	Nickel Plated	6,6 gr.	3200 8 x 400 (Box x pcs. each)	€ 0,134

Short link



www.otlav.it - 335 Ø15

EXACTA Ø16

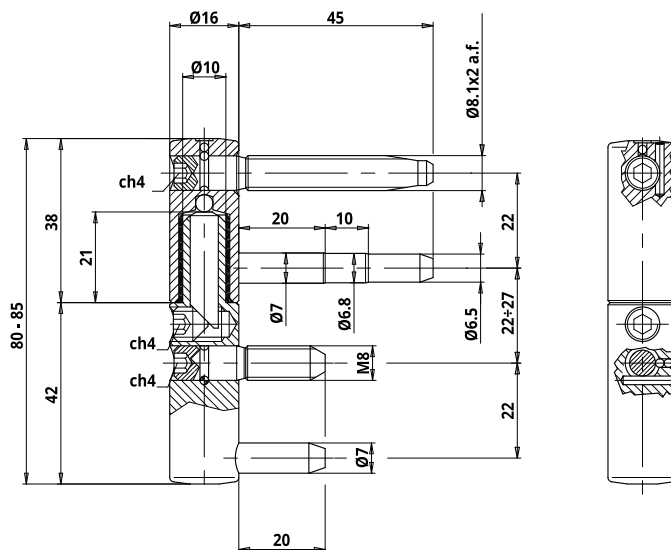
3D adjustable hinge - female pins 8,1x45 mm - male pins M8x20 mm - ANTI-UNTHREADING





Zinc Plated 12 μ



4 7 5 1 1 2 0 12



CODE	FINISHING	WEIGHT	Pcs / Box	PRICE PCS.
 CF495160H514 Female part	Zinc Plated 12 μ	64,44 gr.	200 4 x 50 (Box x pcs. each)	On request
 CG495160H541 Male part	Zinc Plated 12 μ	82,84 gr.	200 1 x 200 (Box x pcs. each)	On request

Short link



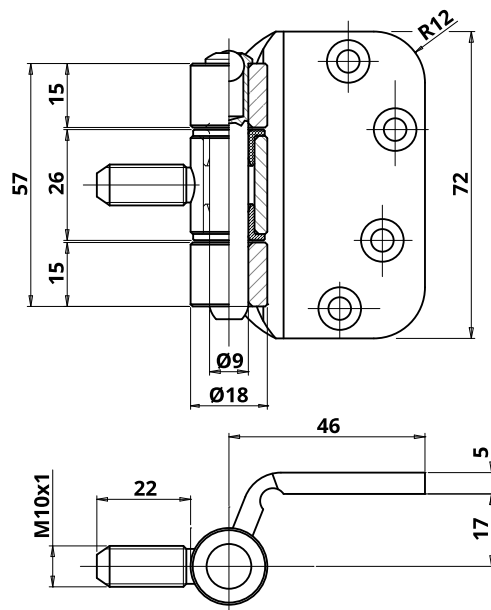
www.otlav.it - EXACTA Ø16




750 Ø18

3 bushes hinge - central pin M10x22 mm - plate H 72 mm



Zinc Plated



CODE	FINISHING	WEIGHT	Pcs / Box	PRICE PCS.	TOT.
 CE026180H002 Central bush with nylon ring for art. 750 Ø18	Zinc Plated	34,05 gr.	400 4 x 100 (Box x pcs. each)	€ 1,859	
 CG750180H008 External bush with plate for art. 750 Ø18	Zinc Plated	157 gr.	100 1 x 100 (Box x pcs. each)	€ 3,67	€ 5,969
 FP062090H005 Pivot for 750 Ø18	Zinc Plated	27,66 gr.	800 8 x 100 (Box x pcs. each)	€ 0,44	

Short link

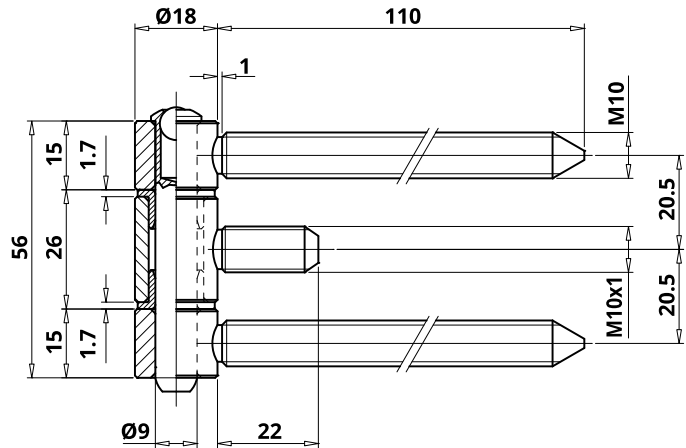
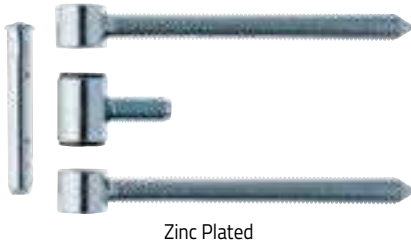





www.otlav.it - 750 Ø18

METAL | 131

750 Ø18

3 bushes hinge - lateral pins M10x110 mm - central pin M10x22 mm



CODE	FINISHING	WEIGHT	Pcs / Box	PRICE PCS.	TOT.
 CE015180H021 External bush for art. 750 Ø18	Zinc Plated	71,3 gr.	200 1 x 200 (Box x pcs. each)	€ 1,724	
 CE026180H002 Central bush with nylon ring for art. 750 Ø18	Zinc Plated	34,05 gr.	400 4 x 100 (Box x pcs. each)	€ 1,859	€ 4,023
 FP062090H005 Pivot for 750 Ø18	Zinc Plated	27,66 gr.	800 8 x 100 (Box x pcs. each)	€ 0,44	

Short link



www.otlav.it - 750 Ø18

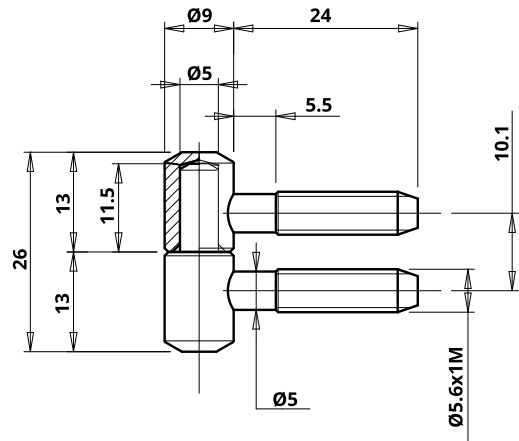
A collection of various furniture hinges is displayed against a dark background. The hinges include several brass models with different finishes and designs, some with decorative fluting. There are also two wooden hinges with a dark, polished finish. A prominent chrome hinge is visible in the lower right foreground. The hinges are arranged in a cluster, overlapping each other.





Hinges for
FURNITURE

530 Ø9



Brass Plated



CODE	FINISHING	WEIGHT	Pcs / Box	PRICE PCS.	TOT.
 CF530090H008 Female part	Zinc Plated	7,63 gr.	1600 4 x 400 (Box x pcs. each)	€ 0,153	€ 0,34
 CG530090H008 Male part	Zinc Plated	11,29 gr.	1600 4 x 400 (Box x pcs. each)	€ 0,187	
 CF5300900004 Female part	Brass Plated	7,53 gr.	1600 4 x 400 (Box x pcs. each)	€ 0,174	€ 0,385
 CG5300900006 Male part	Brass Plated	11,21 gr.	1600 4 x 400 (Box x pcs. each)	€ 0,211	



Short link

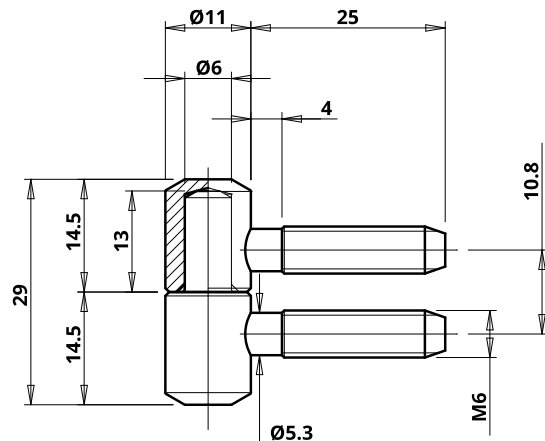




www.otlav.it - 530 Ø9

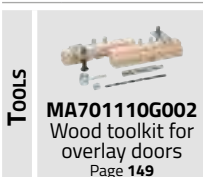
530 Ø11



Zinc Plated



CODE	FINISHING	WEIGHT	Pcs / Box	PRICE PCS.	TOT.
 CF530110H006 Female part	Zinc Plated	11,03 gr.	1200 4 x 300 (Box x pcs. each)	€ 0,186	€ 0,416
 CG530110H004 Male part	Zinc Plated	16,87 gr.	1200 4 x 300 (Box x pcs. each)	€ 0,23	



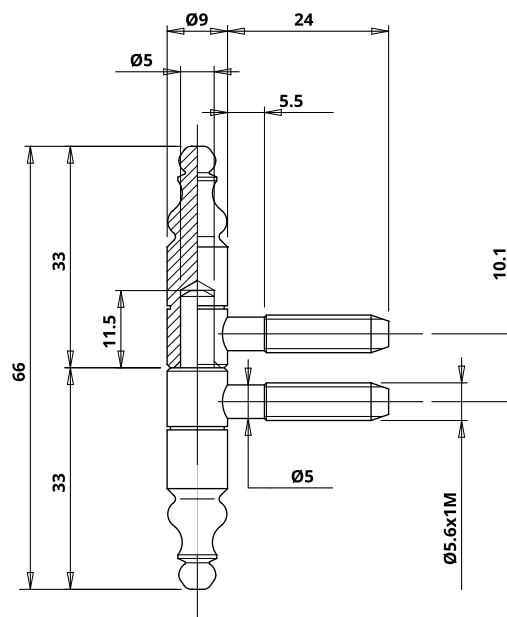
Short link









www.otlav.it - 530 Ø11



Brass Plated



CODE	FINISHING	WEIGHT	Pcs / Box	PRICE PCS.
 CF605090BN08 Female part	Bronze Plated	14,06 gr.	1200 8 x 150 (Box x pcs. each)	On request
 CG605090BN14 Male part	Bronze Plated	17,89 gr.	1200 8 x 150 (Box x pcs. each)	On request
 CI605090BN10 Complete hinge	Bronze Plated	31,17 gr.	640 8 x 80 (Box x pcs. each)	On request
 CF6050900006 Female part	Brass Plated	14,06 gr.	1200 8 x 150 (Box x pcs. each)	On request
 CG6050900008 Male part	Brass Plated	17,89 gr.	1200 8 x 150 (Box x pcs. each)	On request
 CI605090B104 Complete hinge	Special Bronze Plated	31,17 gr.	640 4 x 160 (Box x pcs. each)	On request

Tools



MA701090G002
Wood toolkit for
overlay doors
Page 149



MC701090G002
Wooden jig for
overlay doors
Page 154

Short link

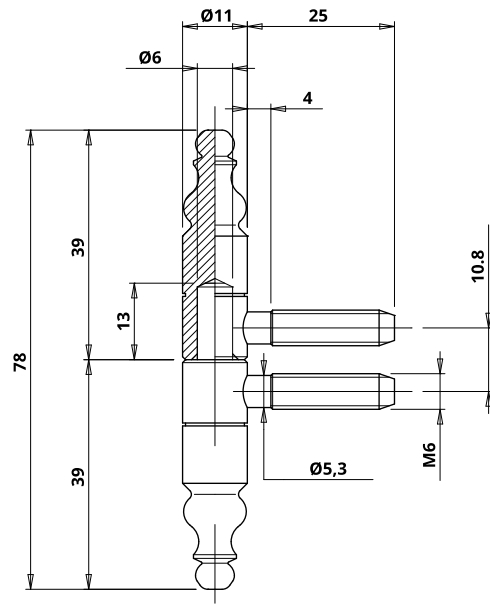






www.otlav.it - 605 Ø9

605 Ø11




Bronze Plated



CODE	FINISHING	WEIGHT	Pcs / Box	PRICE PCS.	TOT.
 CF605110BN03 Female part	Bronze Plated	21,17 gr.	680 4 x 170 (Box x pcs. each)	€ 0,325	€ 0,725
 CG605110BN03 Male part	Bronze Plated	29,19 gr.	680 4 x 170 (Box x pcs. each)	€ 0,40	
 CF6051100003 Female part	Brass Plated	20,18 gr.	680 4 x 170 (Box x pcs. each)	€ 0,362	€ 0,782
 CG6051100003 Male part	Brass Plated	29,19 gr.	680 4 x 170 (Box x pcs. each)	€ 0,42	

TOOLS



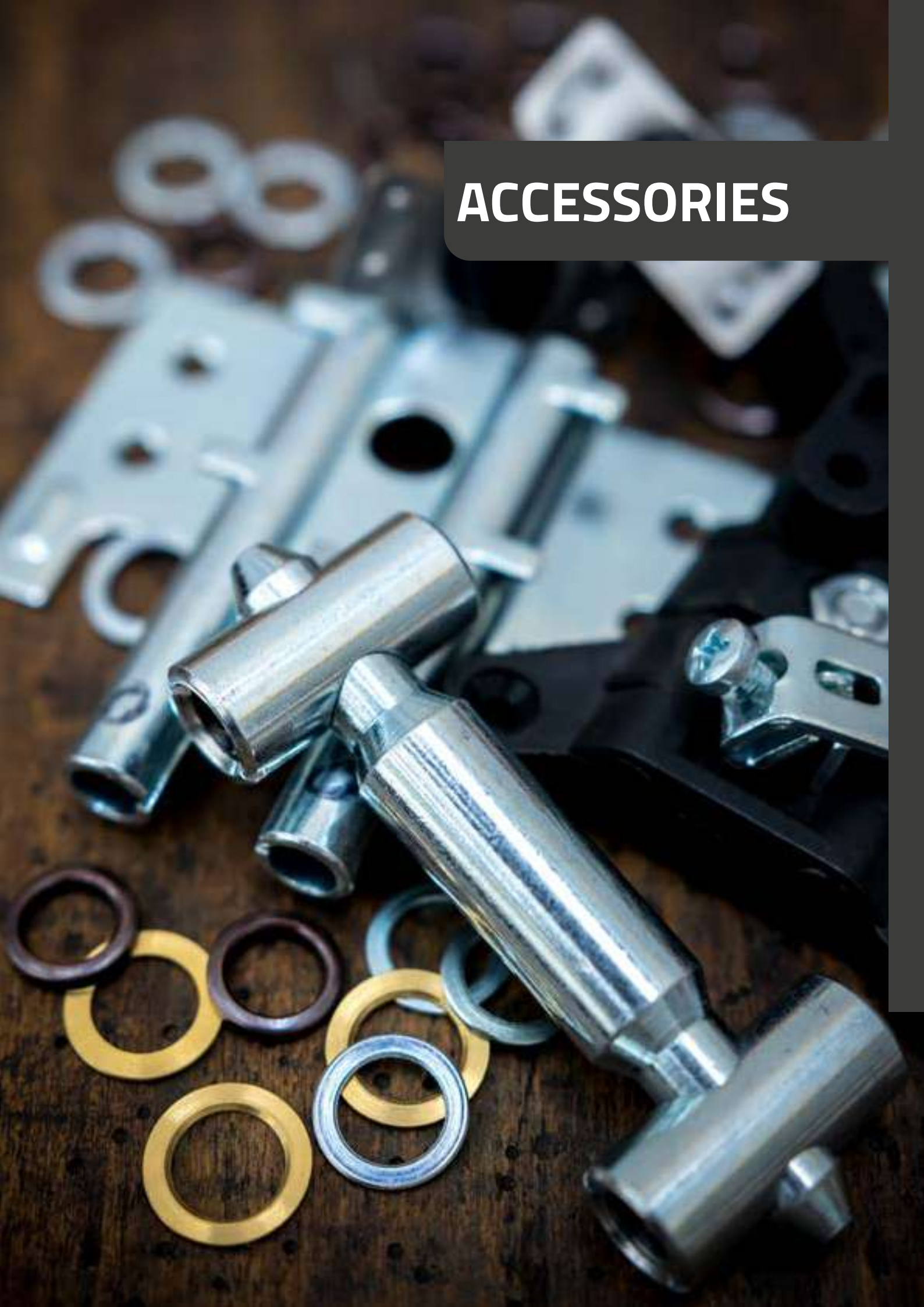
MA701110G002
Wood toolkit for
overlay doors
Page 149

Short link



www.otlav.it - 605 Ø11

ACCESSORIES

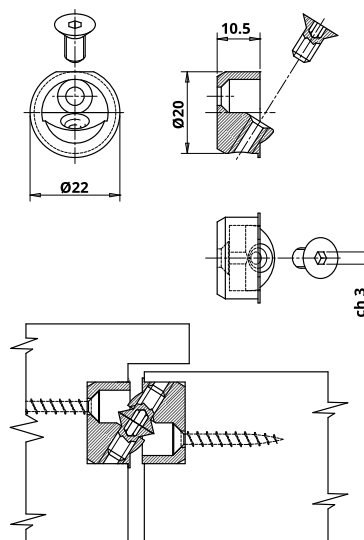


AI S98

Door alignment device



Satinized Silver



CODE	FINISHING	WEIGHT	Pcs / Box	PRICE PCS.
 AIS98200V702	Satinized Silver	29,4 gr.	1280 8 x 160 (Box x pcs. each)	€ 1,836

Short link



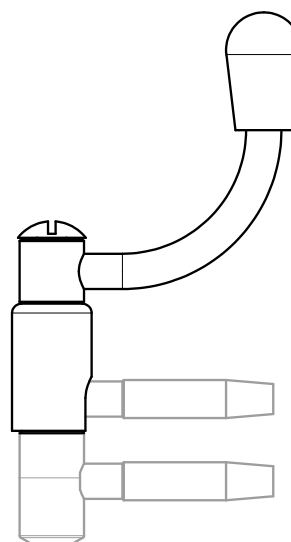
www.otlav.it - AI S98


CERNIPANNI

Hanger cap



Zinc Plated



CODE	FINISHING	WEIGHT	Pcs / Box	PRICE PCS.
 CNGIA140H003	Zinc Plated	70,7 gr.	32 4 x 8 (Box x pcs. each)	€ 11,14

Short link



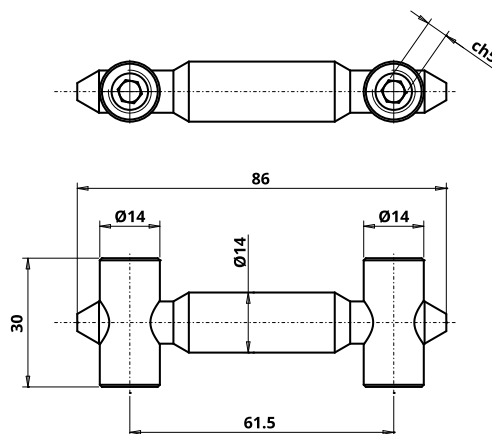
www.otlav.it - CERNIPANNI


JR 512

Door angle connector



Zinc Plated



CODE	FINISHING	WEIGHT	Pcs / Box	PRICE PCS.
 JR512140H104	Zinc Plated	122,1 gr.	160 4 x 40 (Box x pcs. each)	€ 5,41

Short link



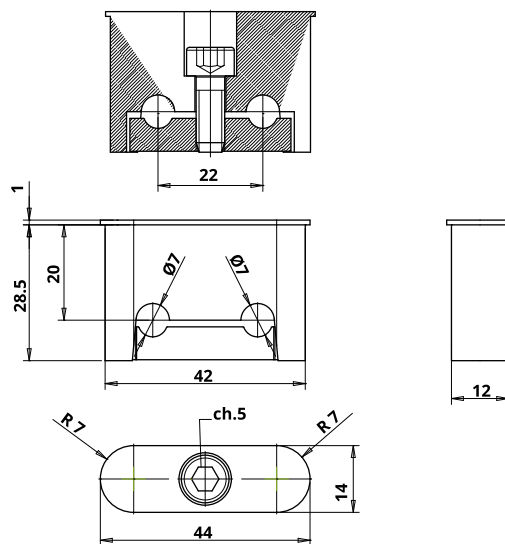
www.otlav.it - JR 512


JR 513

Zamak fixing plate for art. CG100, CG101 and CI335



Zinc Plated



CODE	FINISHING	WEIGHT	Pcs / Box	PRICE PCS.
 JR513200H002	Zinc Plated	72,8 gr.	280 4 x 70 (Box x pcs. each)	On request

Short link



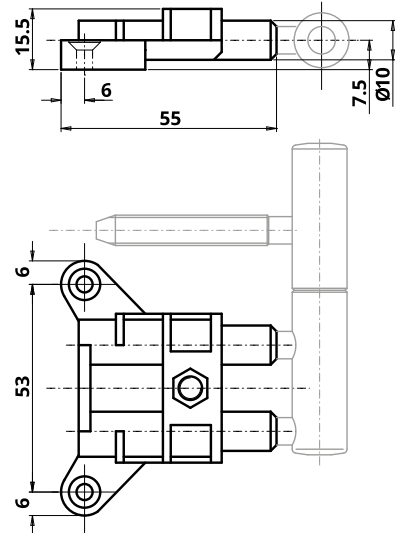
www.otlav.it - JR 513


JR 519

Resin fixing plate for art. CG100, CG101 and CI335



Black Nylon



CODE	FINISHING	WEIGHT	Pcs / Box	PRICE PCS.
 JR519070Y204	Black Nylon	23,41 gr.	200 1 x 200(Box x pcs. each)	€ 0,946

Short link



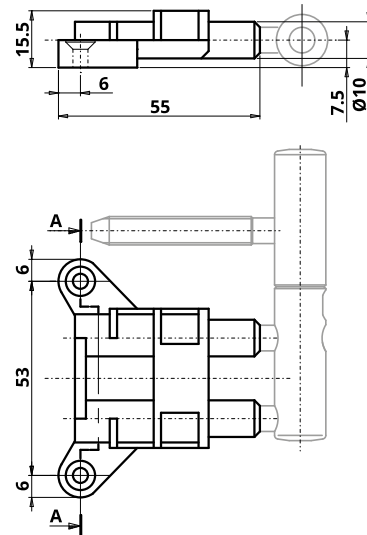
www.otlav.it - JR 519

JR 519

Resin fixing plate for art. 491 Ø14



Black Nylon



CODE	FINISHING	WEIGHT	Pcs / Box	PRICE PCS.
 JR519070Y206	Black Nylon	14,71 gr.	200 1 x 200(Box x pcs. each)	€ 0,994

Short link



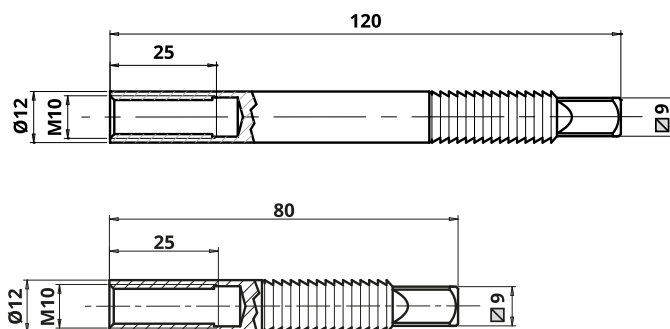
www.otlav.it - JR 519

JR 520

Metal pocket for pin



Zinc Plated



CODE	FINISHING	WEIGHT	Pcs / Box	PRICE PCS.	Tot.
JR520M10H002 Metal pocket for pin M10x80 mm	Zinc Plated	45 gr.	400 4 x 100 (Box x pcs. each)	€ 0,948	€ 2,437
JR520M10H004 Metal pocket for pin M10x120 mm	Zinc Plated	79 gr.	240 4 x 60 (Box x pcs. each)	€ 1,489	€ 2,437

Short link



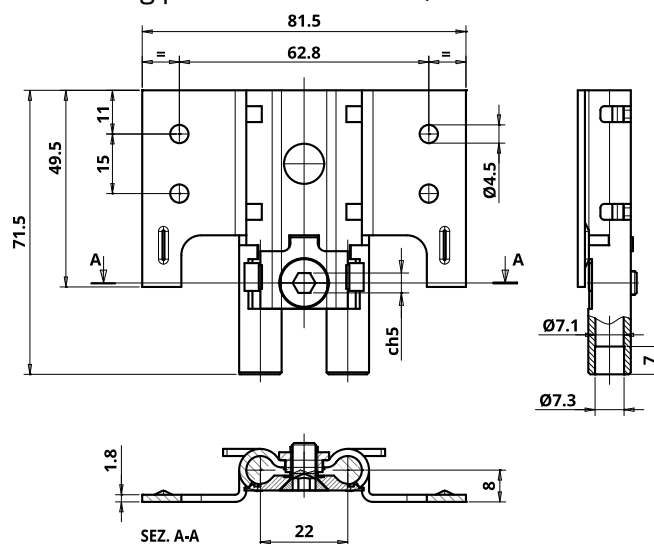
www.otlav.it - JR 520

JR 521

Metal fixing plate for art. CG100, CG101 and CI335



Zinc Plated



CODE	FINISHING	WEIGHT	Pcs / Box	PRICE PCS.
JR521080H005	Zinc Plated	89 gr.	100 1 x 100 (Box x pcs. each)	€ 2,348

Short link



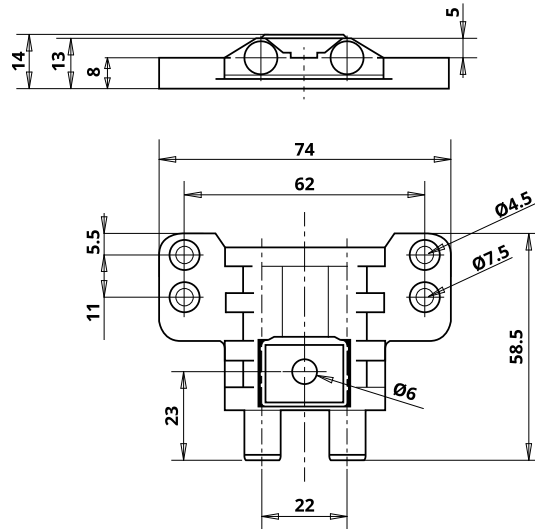
www.otlav.it - JR 521


JR 523

Nylon fixing plate for art. CG100, CG101 and CI335



Black Nylon



CODE	FINISHING	WEIGHT	Pcs / Box	PRICE PCS.
 JR523070Y202	Black Nylon	30 gr.	125 1 x 125 (Box x pcs. each)	€ 1,14

Short link



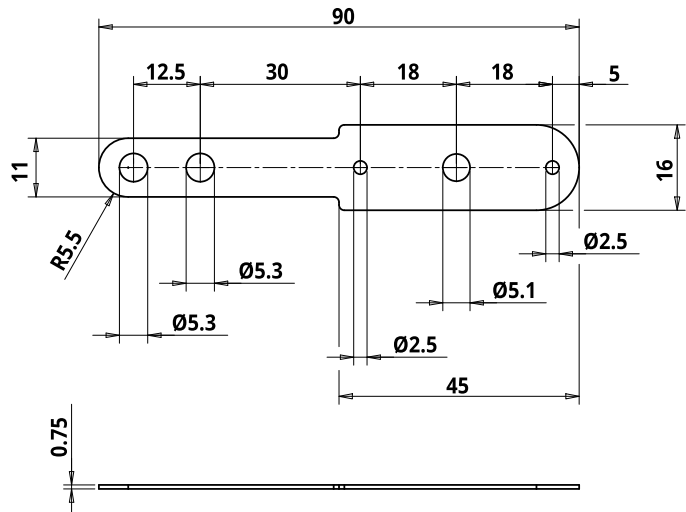
www.otlav.it - JR 523


PP 0070

Shim for BIXACTA



White



CODE	FINISHING	WEIGHT	Pcs / Box	PRICE PCS.
 PP007090Y302	White Nylon (RAL 9010)	1,32 gr.	1 (Unpacked)	On request

Short link



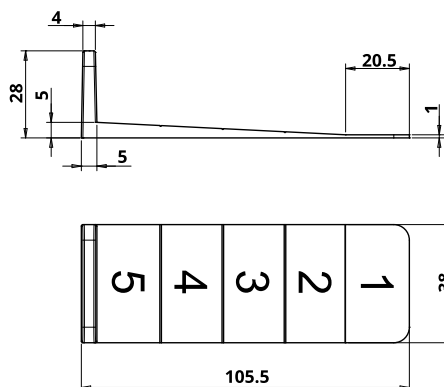
www.otlav.it - PP 0070


PP 105

Wedge with 5 spacers (1-2-3-4-5 mm)



Black Nylon



CODE	FINISHING	WEIGHT	Pcs / Box	PRICE PCS.
 PP105050Y202	Black Nylon	14 gr.	1 (Unpacked)	€ 0,58

Short link



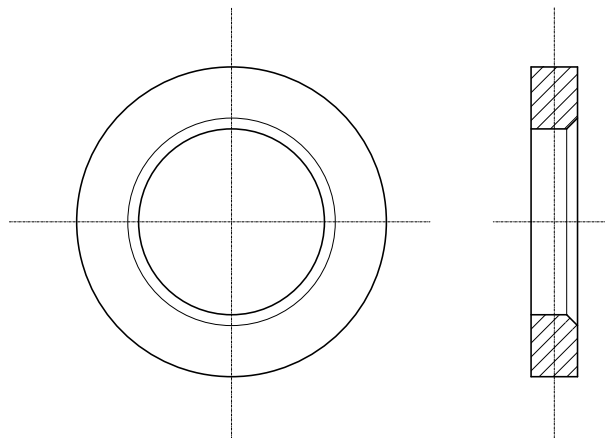
www.otlav.it - PP 105






RO 720

Washers



Natural



CODE	FINISHING	WEIGHT	Pcs / Box	PRICE PCS.
 RO720130G004 Raw brass washer, thickness 1 mm, for hinge Ø13	Natural	0,48 gr.	1 (Unpacked)	€ 0,226
 RO720130G008 Raw brass washer, thickness 2 mm, for hinge Ø13	Natural	0,96 gr.	1 (Unpacked)	€ 0,255
 RO720130PI02 Plastified brass washer, thickness 1 mm, for hinge Ø13	White (RAL 9016)	0,48 gr.	1 (Unpacked)	On request
 RO720140G004 Raw brass washer, thickness 1 mm, for hinge Ø14	Natural	0,58 gr.	1 (Unpacked)	€ 0,273
 RO720160G004 Raw brass washer, thickness 1 mm, for hinge Ø16	Natural	0,92 gr.	1 (Unpacked)	€ 0,537

Short link



www.otlav.it - RO 720

SALVADITA

It is a patented safety device.

It provides protection against violent closing of doors which can cause serious damages and impairments. Situations that can be particularly dangerous when children are involved with their fragile hands. When a door is slammed SALVADITA system intervenes and blocks the door just before it completely closes. In fact **the system is activated only when a door is closed so violently that it can cause physical damage to a hand which remains trapped between the door and door frame.** If, on the contrary, the door moves at an ordinary speed, the SalvaDita device returns in its seat and it allows the door to close normally.

Otlav SalvaDita has been subjected to very comprehensive tests for durability and reliability (IHD Institute for Wood Technology Dresden).

DOORS ALWAYS SAFE EVERYWHERE

Schools, nursery schools, homes. These are all places where we live and where accidents are lying in wait. Places where a door may become a cause of injuries.

The Royal Society for the Prevention of Accidents (RoSPA) reported that in UK every year 30,000 children trap their fingers in doors, with more than 1,500 of these needing surgery and one in six resulting in amputation.

In Germany, the National Fund for Accidents, in accordance with the regulation on safety and health protection in nursery schools (GUV-SI 8045, München 2004) **estimated that about 5.7% of the injuries in kindergartens concern the crushing of the fingers in the doors,** not a negligible percentage, given the severity of the consequences, even chronic, that accidents of this kind may have.

Otlav has developed the SalvaDita system, a protection for fingers. It is an ingenious solution which allows us to live in peace within our surroundings.

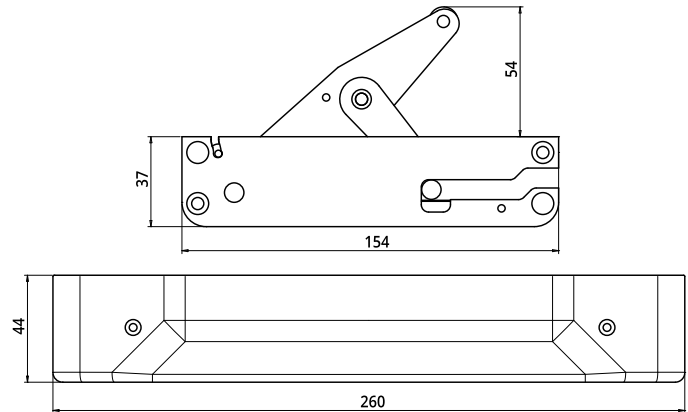
When a door is slammed the SalvaDita system intervenes and blocks the door closing.

No more injured fingers.





Satinized Silver



CODE	FINISHING	WEIGHT	Pcs / Box	PRICE PCS.
 SD040155V702	Satinized Silver	810 gr.	1 1 x 1 (Box)	On request

Short link



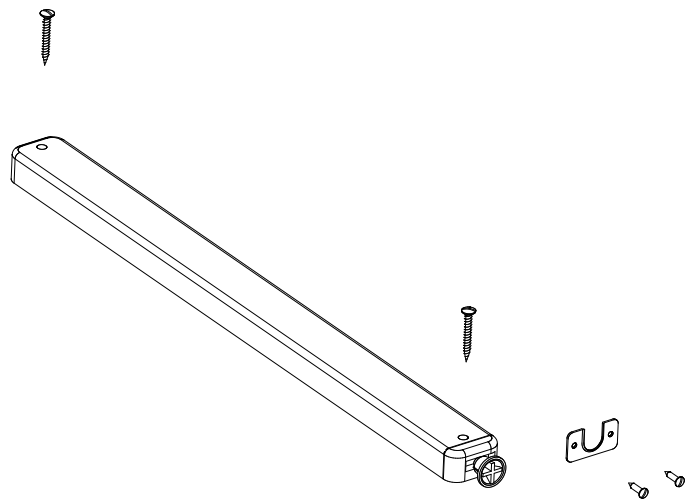
www.otlav.it - SD 040



TP 990

Door closer



White



CODE	FINISHING	WEIGHT	Pcs / Box	PRICE PCS.
 TP990400P002	Brown	300 gr.	1 1 x 1 (Unpacked)	€ 58,60
 TP990400P302	White (RAL 9010)	300 gr.	1 1 x 1 (Unpacked)	€ 58,60

Short link



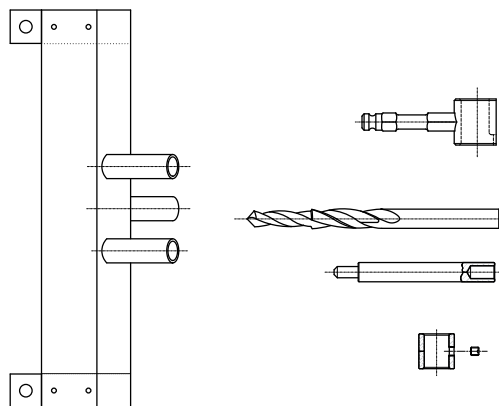
www.otlav.it - TP 990

TOOLS



MA 700

Wood toolkit for flush doors with accessories



CODE	WEIGHT	Pcs / Box	PRICE PCS.
MA700140G002 For 355 Ø14, 030 Ø14, 055 Ø14, 057 Ø14, 190 Ø14 and 300 Ø14 hinges	613 gr.	1	€ 85,20

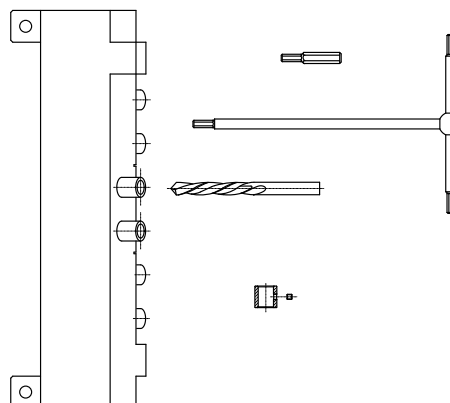
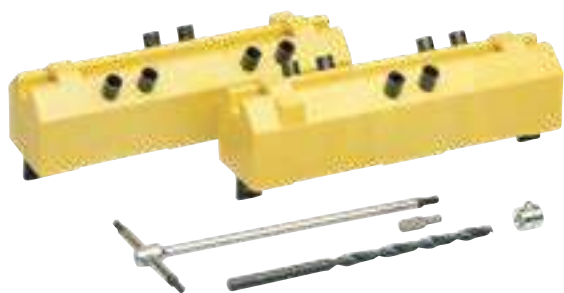
Short link



www.otlav.it - MA 700

MA 700

PVC toolkit for flush doors with accessories



CODE	WEIGHT	Pcs / Box	PRICE PCS.
MA700160G006 For EXACTA Ø14 and Ø16	603 gr.	1	€ 129,10

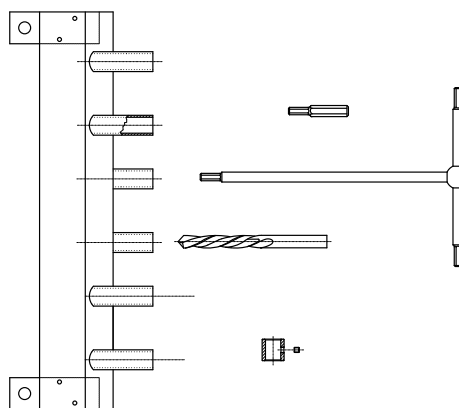
Short link



www.otlav.it - MA 700

MA 700

Wood toolkit for flush doors with accessories



CODE	WEIGHT	Pcs / Box	PRICE PCS.
MA700200G010 For EXACTA Ø20	773 gr.	1	€ 186,50

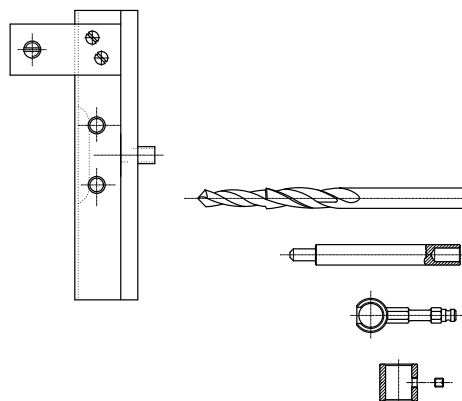
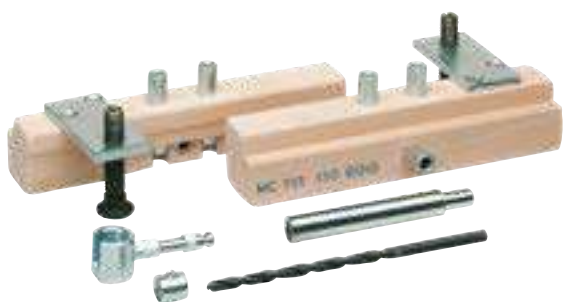
Short link



www.otlav.it - MA 700

MA 701

Wood toolkit for overlay doors with accessories



CODE	WEIGHT	Pcs / Box	PRICE PCS.
MA701090G002 For Ø9 hinges	553 gr.	1	€ 92,90
MA701110G002 For Ø11 hinges	553 gr.	1	€ 107,00

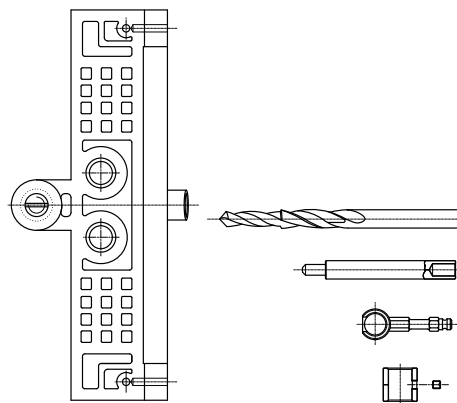
Short link



www.otlav.it - MA 701

MA 701

PVC toolkit for overlay doors with accessories



CODE	WEIGHT	Pcs / Box	PRICE PCS.
MA701130G018 For 355 Ø13, 030 Ø13, 055 Ø13, 057 Ø13, 070 Ø13, 075 Ø13, 080 Ø13, 085 Ø13, 190 Ø13, 210 Ø13 and 300 Ø13 hinges	453 gr.	1	€ 90,40
MA701140G011 For 355 Ø14, 030 Ø14, 055 Ø14, 057 Ø14, 190 Ø14 and 300 Ø14 hinges	563 gr.	1	€ 97,60

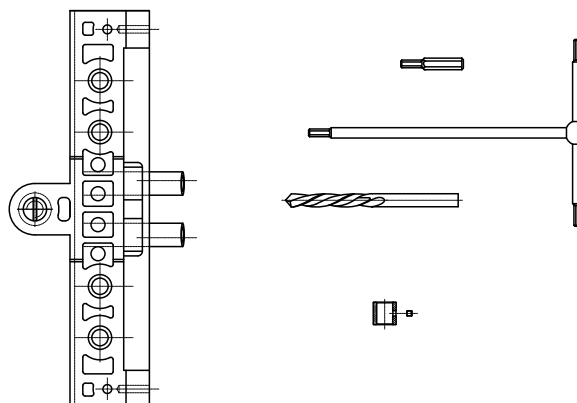
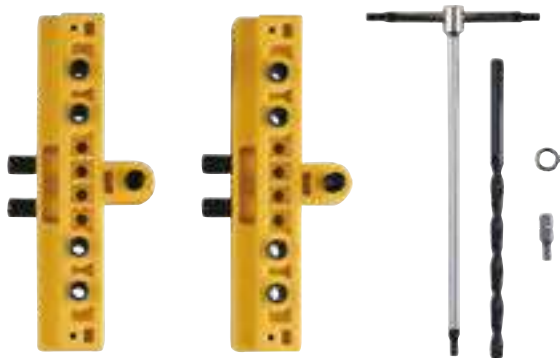
Short link



www.otlav.it - MA 701

MA 701

PVC toolkit for overlay doors with accessories



CODE	WEIGHT	Pcs / Box	PRICE PCS.
MA701160G035 For EXACTA Ø14 and Ø16	513 gr.	1	€ 129,10
MA701200G014 For EXACTA Ø20	723 gr.	1	€ 200,80

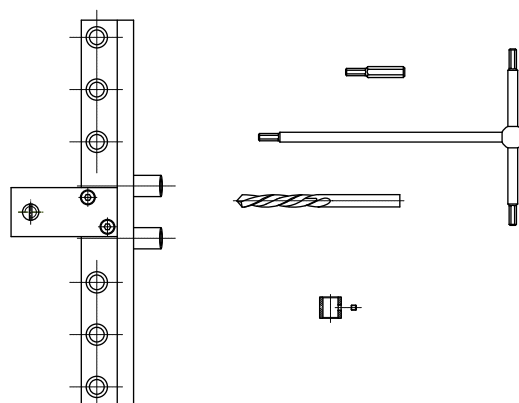
Short link



www.otlav.it - MA 701

MA 701

Aluminium jig for overlay doors with accessories

**CODE****MA701180G008**
For URSUS Ø18**WEIGHT**

943 gr.

Pcs / Box

1

PRICE PCS.

€ 279,70

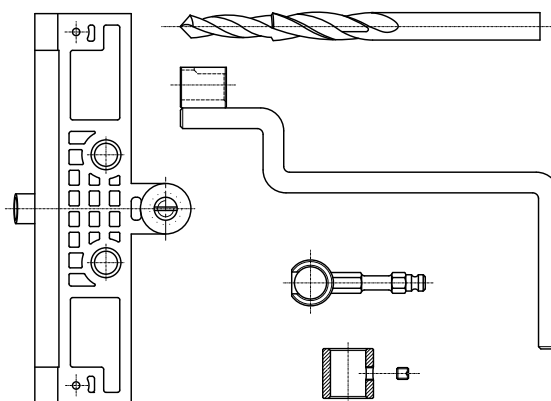
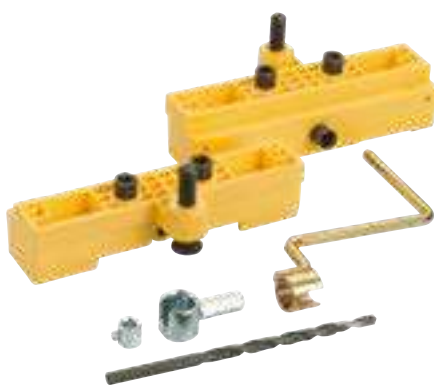
Short link



www.otlav.it - MA 701

MA 701

PVC toolkit for overlay doors with accessories

**CODE****MA701200G019**
For 320 Ø20 hinges**WEIGHT**

653 gr.

Pcs / Box

1

PRICE PCS.

€ 157,80

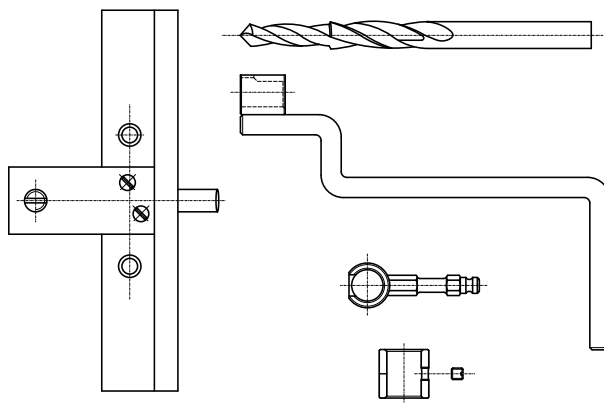
Short link



www.otlav.it - MA 701

MA 701

Wood toolkit for overlay doors with accessories



CODE	WEIGHT	Pcs / Box	PRICE PCS.
MA701150G002 For 320 Ø15 hinges	770 gr.	1	On request

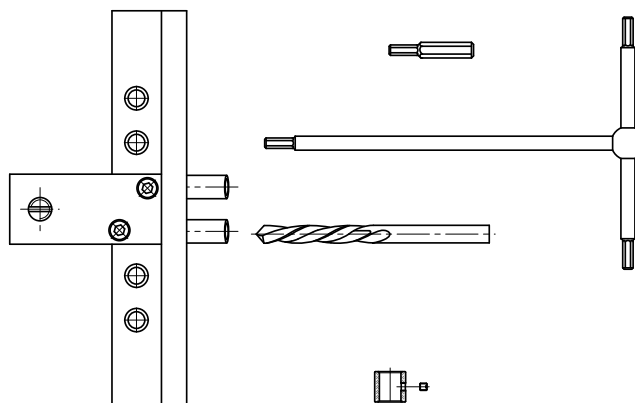
Short link



www.otlav.it - MA 701

MA 701

Aluminium toolkit for overlay doors with accessories



CODE	WEIGHT	Pcs / Box	PRICE PCS.
MA701130G024 For EXACTA Ø13	513 gr.	1	€ 391,40

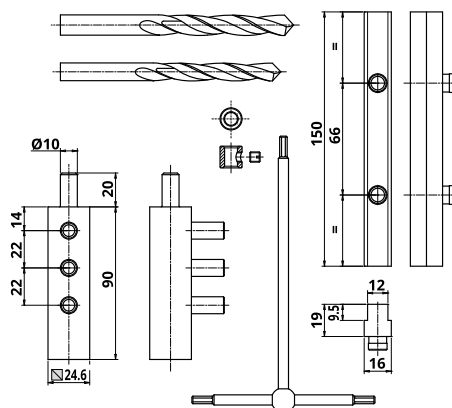
Short link



www.otlav.it - MA 701

MA 701

Aluminium toolkit for overlay doors with accessories



CODE

MA701483G002

For MIXACTA Ø16 - female 483 Ø16 - male URSUS

WEIGHT

427,1 gr.

Pcs / Box

1

PRICE PCS.

On request

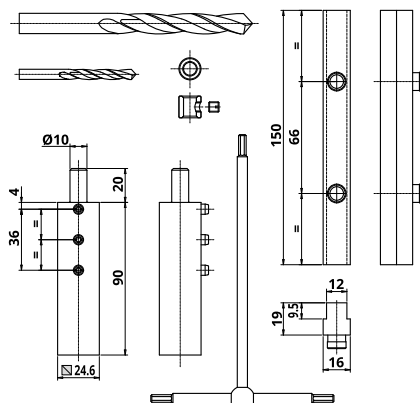
Short link



www.otlav.it - MA 701

MA 703

Aluminium toolkit for overlay doors with accessories



CODE

MA703483G002

For BIXACTA, male with pegs Ø2,5

WEIGHT

427,1 gr.

Pcs / Box

1

PRICE PCS.

€ 240,40

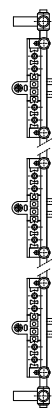
Short link



www.otlav.it - MA 703

MA 801

Rod L. 240 cm with 3 PVC jigs code MC701160G035



CODE	WEIGHT	Pcs / Box	PRICE PCS.
MA801160G028 For EXACTA Ø14, Ø16 and 488 Ø16	1.530 gr.	1	€ 253,30

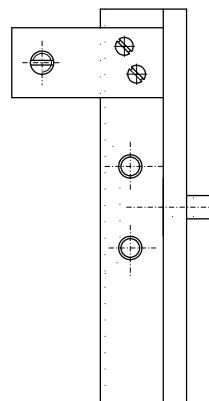
Short link



www.otlav.it - MA 801

MC 701

Wooden jig for overlay doors



CODE	WEIGHT	Pcs / Box	PRICE PCS.
MC701090G002 For Ø9 hinges	230 gr.	1	€ 37,50

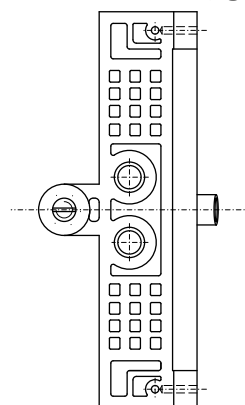
Short link



www.otlav.it - MC 701

MC 701

PVC jig for overlay doors



CODE	WEIGHT	Pcs / Box	PRICE PCS.
MC701130G060 For 355 Ø13, 030 Ø13, 055 Ø13, 057 Ø13, 070 Ø13, 075 Ø13, 080 Ø13, 085 Ø13, 190 Ø13, 210 Ø13 and 300 Ø13 hinges	180 gr.	1	€ 31,60
MC701140G060 For 355 Ø14, 030 Ø14, 055 Ø14, 057 Ø14, 190 Ø14 and 300 Ø14 hinges	220 gr.	1	€ 32,80
MC701160G032 For 320 Ø16 hinges	230 gr.	1	€ 34,50
MC701160G060 For 030 Ø16, 055 Ø16 and 190 Ø16 hinges	230 gr.	1	€ 35,90
MC701200G032 For 320 Ø20 hinges	200 gr.	1	€ 37,30

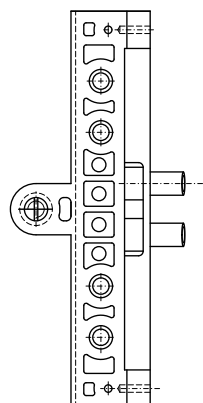
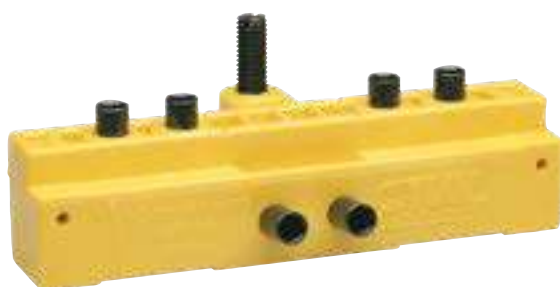
Short link



www.otlav.it - MC 701

MC 701

PVC jig for overlay doors



CODE	WEIGHT	Pcs / Box	PRICE PCS.
MC701160G035 For EXACTA Ø14 and Ø16	220 gr.	1	€ 35,90
MC701200G009 For EXACTA Ø20	200 gr.	1	€ 37,30

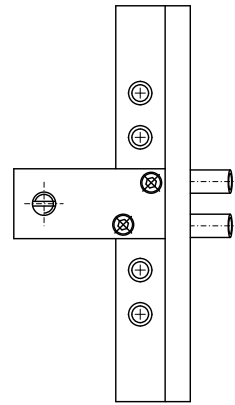
Short link



www.otlav.it - MC 701

MC 701

Aluminium jig for overlay doors



CODE

MC701130G022
For EXACTA Ø13

WEIGHT

230 gr.

Pcs / Box

1

PRICE PCS.

€ 173,90

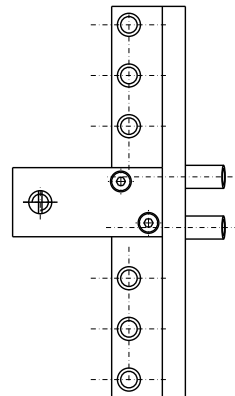
Short link



www.otlav.it - MC 701

MC 701

Aluminium jig for overlay doors



CODE

MC701160G067
For URSUS Ø16

WEIGHT

230 gr.

Pcs / Box

1

PRICE PCS.

€ 153,00

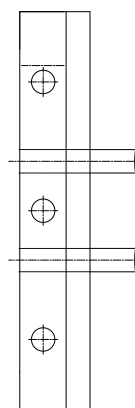
Short link



www.otlav.it - MC 701

MC 703

Wooden jig for overlay doors



CODE	WEIGHT	Pcs / Box	PRICE PCS.
MC703P39G002 For P39 Ø13 male part and female part M7	133 gr.	1	€ 61,06

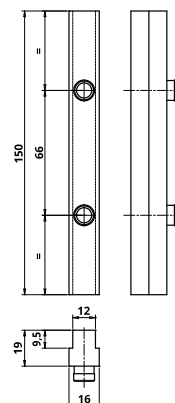
Short link



www.otlav.it - MC 703

MC 703

Aluminium jig for overlay doors



CODE	WEIGHT	Pcs / Box	PRICE PCS.
MC703483G010 For BIXACTA female	165 gr.	1	€ 41,52

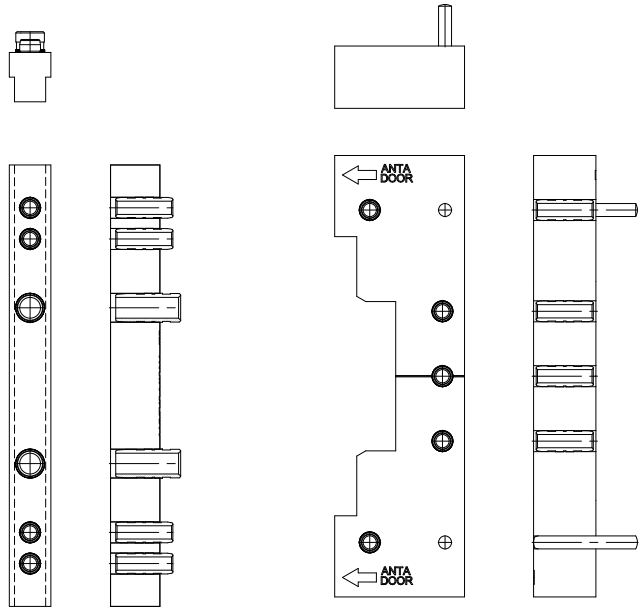
Short link





www.otlav.it - MC 703

MC 703

Aluminium jigs for overlay doors

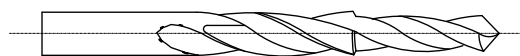


CODE	WEIGHT	Pcs / Box	PRICE PCS.	TOT.
 MC703473G003 For TRIXACTA - door part	140 gr.	1 1 x 1 (Unpacked)	€ 133,80	€ 399,80
 MC703473G006 For TRIXACTA - frame part	450 gr.	1 1 x 1 (Unpacked)	€ 266,00	



MC 710

Step down drill-bit



CODE	WEIGHT	Pcs / Box	PRICE PCS.
MC710090G002 Step down drill-bit Ø5,2 - Ø3,8 - for Ø9	15 gr.	1	€ 18,70
MC710130G002 Step down drill-bit Ø6,7 - Ø5,3 - for Ø13, M8, 320 Ø15	20 gr.	1	€ 21,60
MC710140G002 Step down drill-bit Ø7,2 - Ø5,8 - for Ø14, 320 Ø16	30 gr.	1	€ 28,60
MC710160G002 Step down drill-bit Ø7,7 - Ø6,3 - for Ø16	30 gr.	1	€ 25,90
MC710218G002 Step down drill-bit - for Ø18, Ø20	52 gr.	1	€ 30,20

Short link



www.otlav.it - MC 710

MC 710

Drill-bit Ø5,7



CODE	WEIGHT	Pcs / Box	PRICE PCS.
MC7100M7G002 Drill-bit Ø5,7 - for PVC M7	19 gr.	1	€ 27,30
MC710110G002 Drill-bit Ø5,4 - for Ø11	20 gr.	1	€ 18,70
MC710140G004 Drill-bit Ø7 - for EXACTA Ø14 and Ø16	30 gr.	1	€ 14,92
MC710140G006 Drill-bit Ø6,8 - for EXACTA Ø14, Ø16 and 488 Ø16 soft wood	32 gr.	1	€ 37,30
MC710200G002 Drill-bit Ø8,5 - for EXACTA Ø20	40 gr.	1	€ 19,30

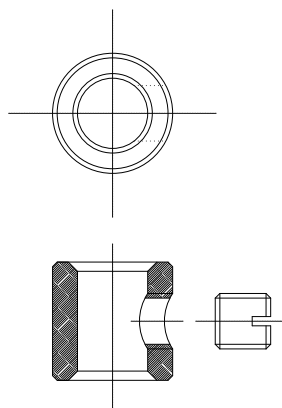
Short link



www.otlav.it - MC 710

MC 711

Drill-bit stop



CODE	WEIGHT	Pcs / Box	PRICE PCS.
MC711620H002 For hinges Ø16- Ø18- Ø20 and EXACTA Ø16- Ø20	20 gr.	1	€ 5,81
MC711914H002 For hinges Ø9- Ø11- Ø13- Ø14- Ø15 and EXACTA Ø14- Ø16	9 gr.	1	€ 5,67

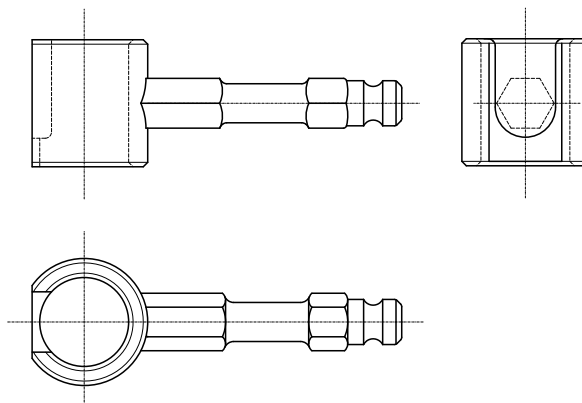
Short link



www.otlav.it - MC 711

MC 712

Drill screwer



CODE	WEIGHT	Pcs / Box	PRICE PCS.
MC712130H002 For Ø13 hinges	30 gr.	1	€ 7,53
MC712140H002 For Ø14 hinges	30 gr.	1	€ 7,65
MC712160H002 For Ø16 hinges	40 gr.	1	€ 8,96

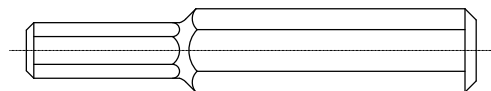
Short link



www.otlav.it - MC 712

MC 712

Drill screwer



CODE	WEIGHT	Pcs / Box	PRICE PCS.
MC712160H004 For EXACTA Ø14 Ø16, URSUS Ø14 Ø16 and 488 Ø16	5 gr.	1	€ 7,65

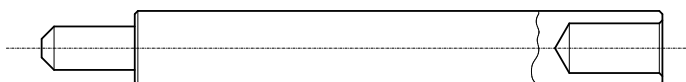
Short link



www.otlav.it - MC 712

MC 713

Registering pin



CODE	WEIGHT	Pcs / Box	PRICE PCS.
MC713130H002 For Ø13 hinges	55,67 gr.	1	€ 7,21
MC713140H002 For Ø14 hinges	82 gr.	1	€ 7,21

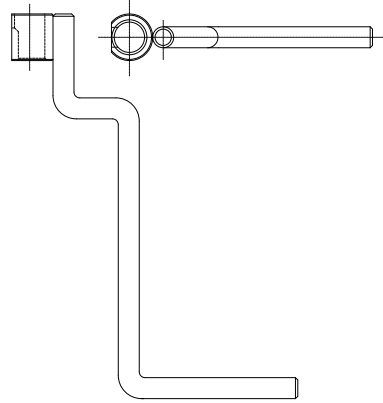
Short link



www.otlav.it - MC 713

MC 714

Manual screwer



CODE	WEIGHT	Pcs / Box	PRICE PCS.
MC714130H002 For Ø13 hinges	145 gr.	1	€ 23,00

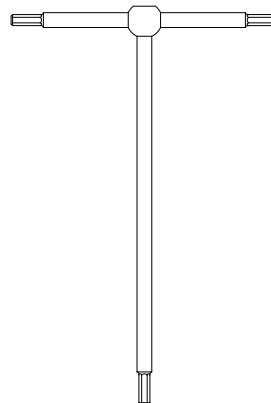
Short link



www.otlav.it - MC 714

MC 714

T-wrench



CODE	WEIGHT	Pcs / Box	PRICE PCS.
MC714160H002 T-wrench imp. 4 - for EXACTA Ø14- Ø16 - 057 Ø13- Ø14- Ø16	60 gr.	1	€ 34,50
MC714200H002 T-wrench imp. 5 - for EXACTA Ø20	100 gr.	1	€ 35,90

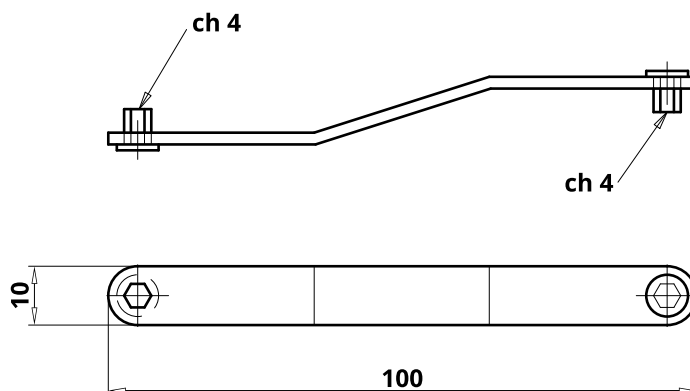
Short link



www.otlav.it - MC 714

TRIMK

S-wrench imp. 4



CODE	WEIGHT	Pcs / Box	PRICE PCS.
MC714CH4H502 For EXACTA Ø14- Ø16 and 057 Ø13- Ø14- Ø16	17 gr.	1	€ 7,21

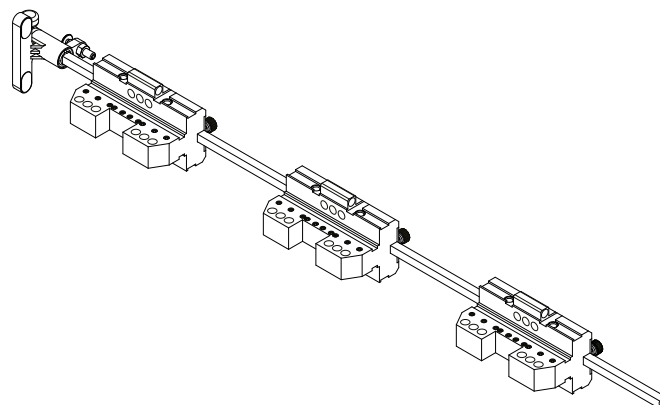
Short link



www.otlav.it - TRIMK

MU 803

Rod L. 240 cm with 3 jigs



CODE	WEIGHT	Pcs / Box	PRICE PCS.
MU803483G002 For BIXACTA 483 Ø16 - male part with pegs Ø2,5	3.538 gr.	1	€ 1.370,00

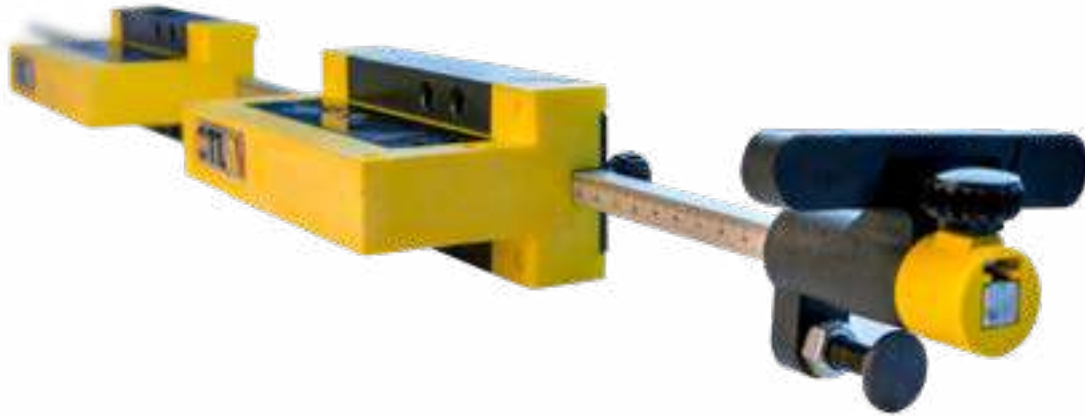
Short link



www.otlav.it - MU 803

MODULAR ROD

ACCURACY, SPEED AND FLEXIBILITY



Unlike the standard hinge drilling systems, with MODULAR ROD, thanks to the device which can lodge two or three special tools that permit the separate door and frame drilling for the subsequent hinge fitting, it is not necessary to place the door on the frame; so that it **is possible to prepare two separate lines to produce the doors, that is to say one for producing the shutters and one for the frames.**

The special symmetric shape of the jig and the reversible

stop ensure the same rod can be used both **for doors and frames whether left or right.**

The use of the shims finally permits to adapt the jigs in case it would be necessary to increase or decrease the drilling distances respect to door or frame.

The **MODULAR** rod jigs are customized according to the kind of frame, to the type of hinge, to the position and angle of the pins as to the door or frame.



1 - The modular construction permits to use the same jigs, by replacing only the blocks, to fix different kinds of Otlav hinges.



2 - The millimetric rod allows the correct positioning of the jigs on the frames and on the doors.



3 - Duly adjusted, the reversible stop permits to position the rod always with a micrometric precision, in different times both on the frames and on the doors.



4 - The first, easy action to drill the frame, is the correct reversible stop Positioning on the frame reference.



5 - Successively proceed by drilling the frame.

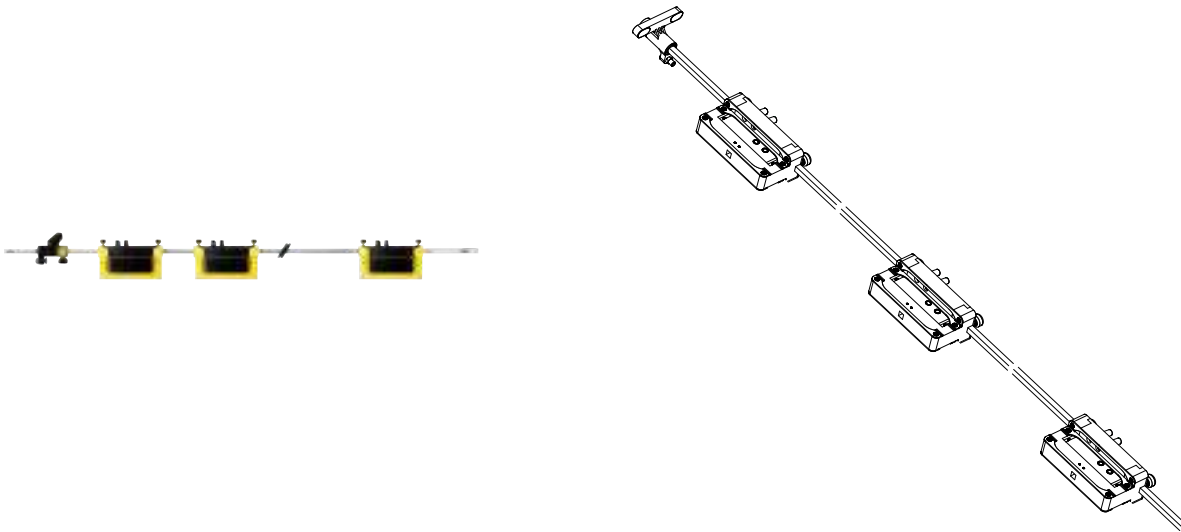


6 - As for the door the process is the same, the correct reversible stop Positioning on the door reference, is the first operation to be done while drilling.



7 - It is then easy to proceed by fitting both the male and the female parts.

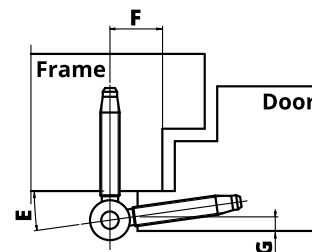
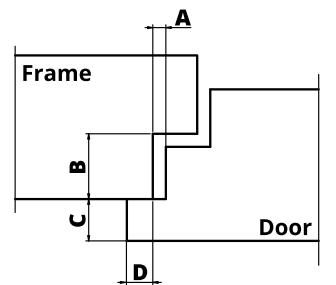
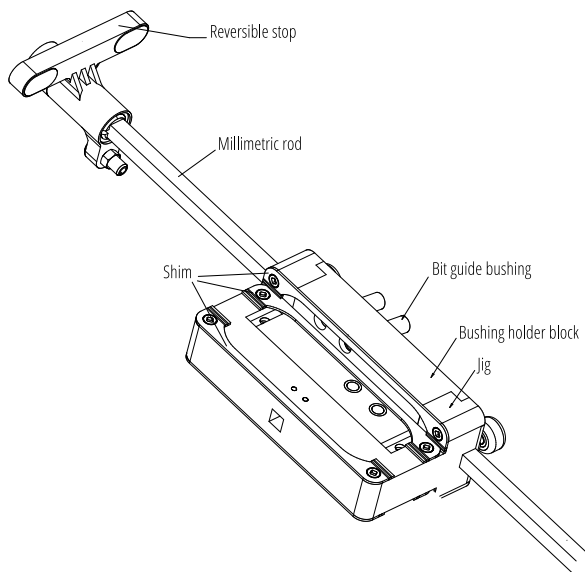




CODE	Pcs / Box	PRICE PCS.
MU8 --- Customized jig for installation of OTLAV hinges equipped with: millimeter rod, reversible stop, 3 drilling jigs and if needed shims.	1	On request

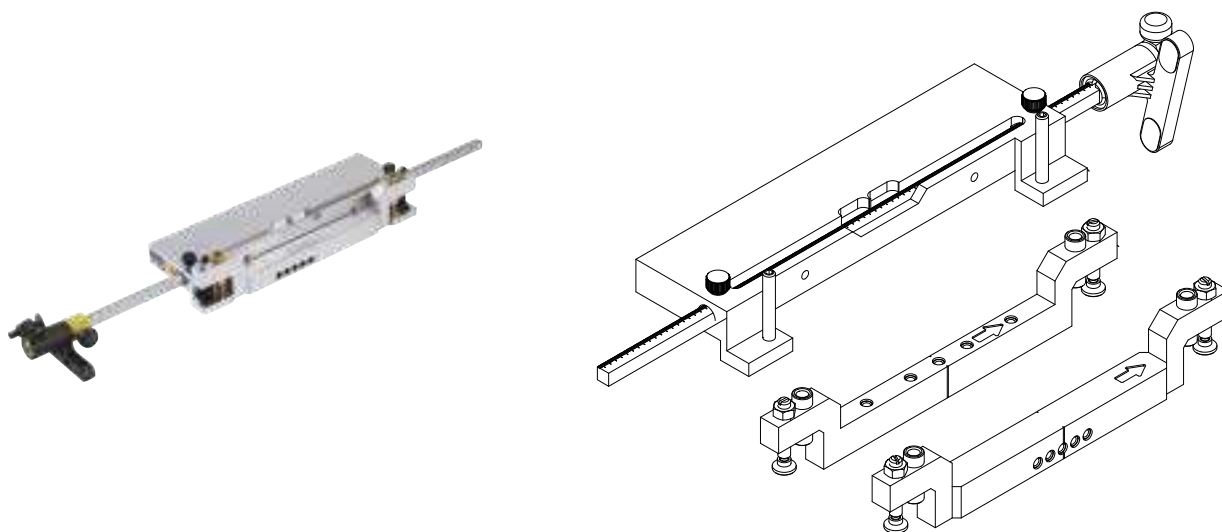
For inquiries you are requested to forward the dimensioned technical drawing of shutter and frame as per sketch here below.

- A:** Light between frame and door.
- B:** First interior frame rabbet.
- C:** Overlapping shim between door and frame.
- D:** Overlapping between door and frame.
- E:** Drilling angle for female pin.
- F:** Axis position male hinge referred to rabbet.
- G:** Axis position female hinge referred to door surface.



MR A

Aluminium jig for overlay doors - for ROLLACTA



CODE	Pcs / Box	PRICE PCS.
 MRA	1	On request



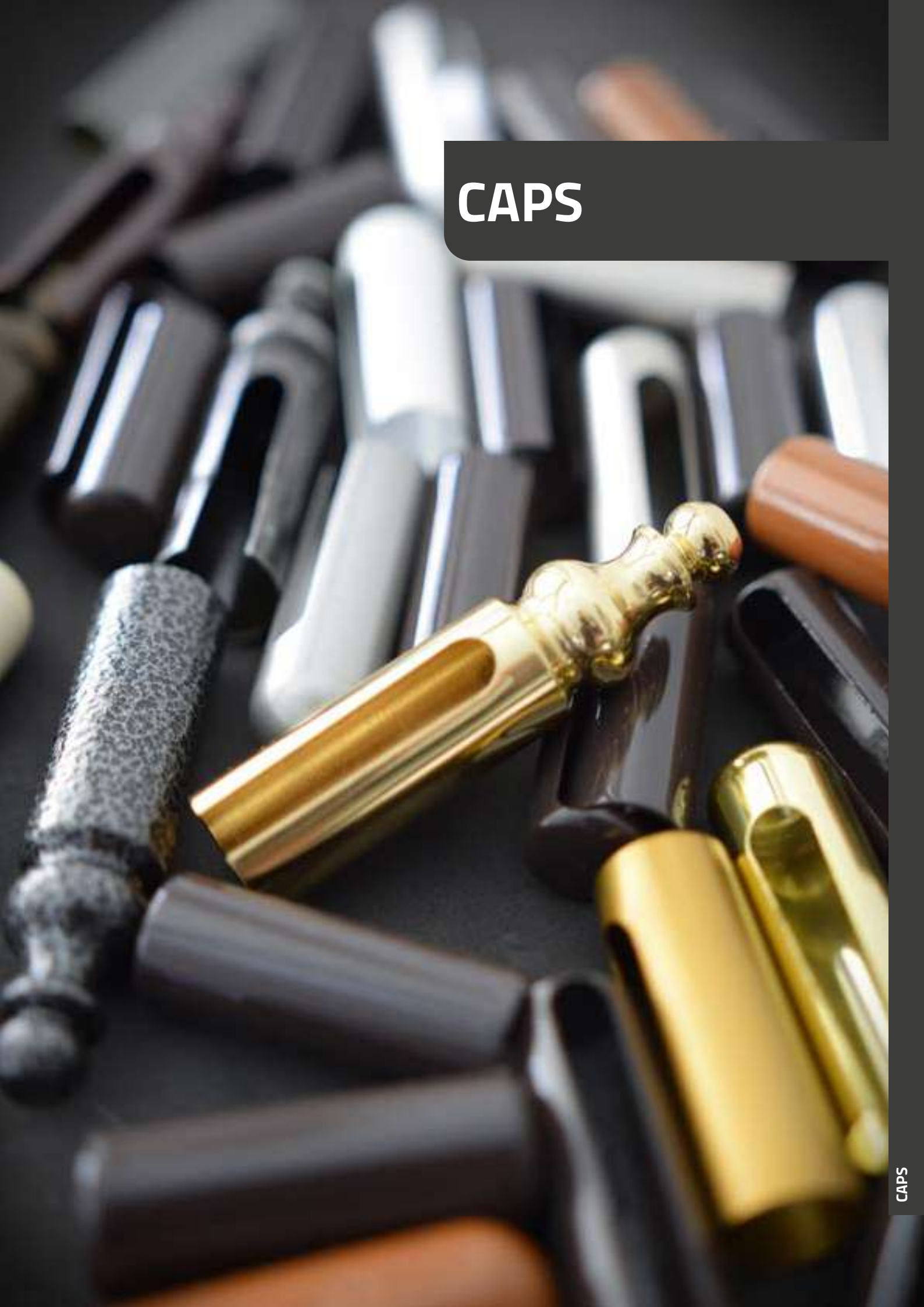
The jig for Rollacta, thanks to its own characteristics, allows an easy, precise and quick installation of the hinges. Composed of a basic part **(A)** suitable to be fixed on all types of UPVC profiles. The kits **(B e C)** are customized according to the used kind of profiles. Suitable to be used equally well on both right and left doors. Graduated rod on request.

Short link



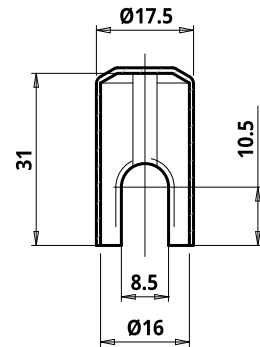
www.otlav.it - MR A

CAPS



815 Ø17,5

Nylon cap for 030, 055 and 057 Ø16



CODE	FINISHING	WEIGHT	Pcs / Box	PRICE PCS.
 GC815175YA01	Gold Nylon	2,12 gr.	720 4 x 180 (Box x pcs. each)	€ 1,448
 GC815175YC01	Matt Nickel Plated Nylon	2,12 gr.	720 4 x 180 (Box x pcs. each)	€ 1,304

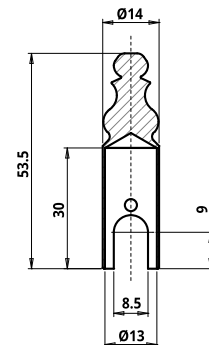
Short link




www.otlav.it - 815 Ø17,5

826 Ø14

Brass cap for 030, 050, 055 and 057 Ø13



CODE	FINISHING	WEIGHT	Pcs / Box	PRICE PCS.
 GC826140L110	Polished Varnished	16,53 gr.	240 4 x 60 (Box x pcs. each)	€ 3,70

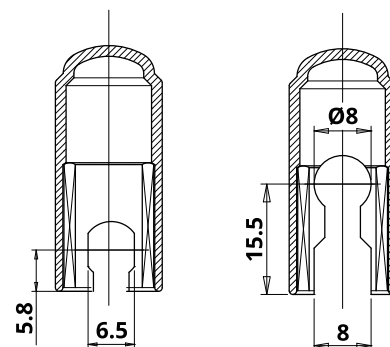
Short link







www.otlav.it - 826 Ø14

818 Ø15

Nylon cap for P09 plastified



CODE	FINISHING	WEIGHT	Pcs / Box	PRICE PCS.	TOT.
 GC818150Y301 Male cap	White Nylon (RAL 9010)	1,8 gr.	1000 1 x 1000 (Box x pcs. each)	€ 0,069	€ 0,135
 GC818150Y302 Female cap	White Nylon (RAL 9010)	1,89 gr.	1000 1 x 1000 (Box x pcs. each)	€ 0,066	
 GC818150Y605 Male cap	White Nylon (RAL 9016)	1,8 gr.	1000 1 x 1000 (Box x pcs. each)	€ 0,063	€ 0,129
 GC818150Y606 Female cap	White Nylon (RAL 9016)	1,89 gr.	1000 1 x 1000 (Box x pcs. each)	€ 0,066	

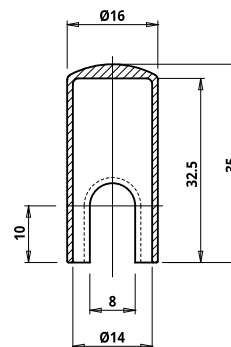
Short link




www.otlav.it - 818 Ø15

836 Ø16

Nylon cap for 055 and 057 Ø14



CODE	FINISHING	WEIGHT	Pcs / Box	PRICE PCS.
 GC836160Y304	White Nylon (RAL 9010)	1,56 gr.	800 4 x 200 (Box x pcs. each)	€ 0,183

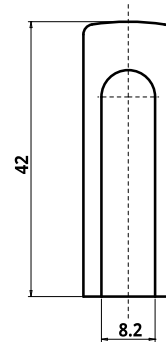
Short link






www.otlav.it - 836 Ø16

838 Ø14

Aluminium cap for EXACTA Ø13



CODE	FINISHING	WEIGHT	Pcs / Box	PRICE PCS.
 GC838140J002	Gold Aluminium	1,8 gr.	800 4 x 200 (Box x pcs. each)	€ 0,833
 GC838140JT02	Satinized Nickel Aluminium	2 gr.	800 4 x 200 (Box x pcs. each)	€ 0,917
 GC838140P302	White (RAL 9010)	1,8 gr.	800 4 x 200 (Box x pcs. each)	€ 1,184

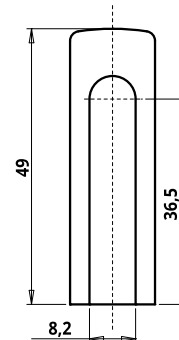
Short link









www.otlav.it - 838 Ø14

838 Ø15

Aluminium cap for POMELLAS, 491 and EXACTA Ø14



CODE	FINISHING	WEIGHT	Pcs / Box	PRICE PCS.
 GC8381509N02	Matt Black	2,68 gr.	680 4 x 170 (Box x pcs. each)	€ 1,504
 GC838150J702	Satinized Silver Aluminium	2,68 gr.	680 4 x 170 (Box x pcs. each)	€ 1,028
 GC838150J004	Gold Aluminium	2,68 gr.	680 4 x 170 (Box x pcs. each)	€ 0,984
 GC838150JT02	Satinized Nickel Aluminium	2 gr.	680 4 x 170 (Box x pcs. each)	€ 1,154
 GC838150JZ02	Bronze Aluminium	2,68 gr.	680 4 x 170 (Box x pcs. each)	€ 1,192
 GC838150PI02	White (RAL 9016)	2,68 gr.	680 4 x 170 (Box x pcs. each)	€ 1,221

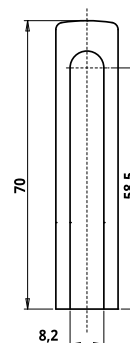
Short link



www.otlav.it - 838 Ø15

838 Ø15

Aluminium cap for URSUS Ø14



CODE	FINISHING	WEIGHT	Pcs / Box	PRICE PCS.
GC838150JT06	Satinized Nickel Aluminium	3,9 gr.	400 4 x 100(Box x pcs. each)	€ 2,274

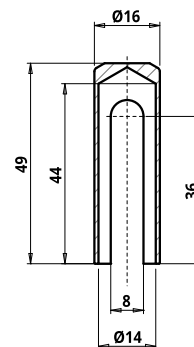
Short link



www.otlav.it - 838 Ø15

838 Ø16

Brass cap for POMELLAS, 491, EXACTA Ø14



CODE	FINISHING	WEIGHT	Pcs / Box	PRICE PCS.
GC838160BN03	Bronze Plated	20,05 gr.	520 4 x 130(Box x pcs. each)	€ 3,95
GC838160L103	Polished Varnished	20,05 gr.	160 4 x 40(Box x pcs. each)	€ 4,25

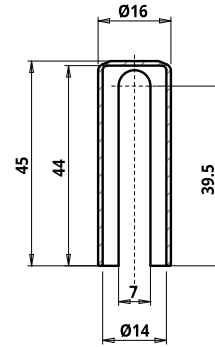
Short link








www.otlav.it - 838 Ø16

838 Ø16

Nylon cap for POMELLAS, 491, EXACTA Ø14



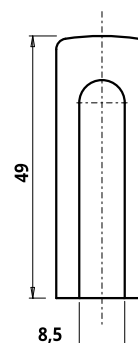
CODE	FINISHING	WEIGHT	Pcs / Box	PRICE PCS.
 GC838160Y201	Black Nylon	2,01 gr.	720 4 x 180 (Box x pcs. each)	€ 0,267
 GC838160Y301	White Nylon (RAL 9010)	2,01 gr.	720 4 x 180 (Box x pcs. each)	€ 0,267
 GC838160Y602	White Nylon (RAL 9016)	2,01 gr.	720 4 x 180 (Box x pcs. each)	€ 0,221
 GC838160YD01	Brown Nylon	2,01 gr.	720 4 x 180 (Box x pcs. each)	€ 0,267
 GC838160YS03	Matt Chrome Plated Nylon	2,33 gr.	520 4 x 130 (Box x pcs. each)	€ 1,445

Short link



www.otlav.it - 838 Ø16

Aluminium cap for NORDEX, BIXACTA, EXACTA Ø16 and URSUS Ø16 female



CODE	FINISHING	WEIGHT	Pcs / Box	PRICE PCS.
 GC8381709F52	Grey (9F)	3,32 gr.	160 4 x 40(Box x pcs. each)	€ 1,646
 GC8381709N02	Matt Black	3,32 gr.	160 4 x 40(Box x pcs. each)	€ 1,78
 GC838170J702	Satinized Silver Aluminium	3,32 gr.	400 4 x 100(Box x pcs. each)	€ 1,233
 GC838170JC02	Satinized Nickel Plated	3,32 gr.	240 8 x 30 (Box x pcs. each)	€ 1,832
 GC838170J002	Gold Aluminium	3,32 gr.	400 4 x 100(Box x pcs. each)	€ 1,174
 GC838170JT02	Satinized Nickel Aluminium	3,32 gr.	400 4 x 100(Box x pcs. each)	€ 1,322
 GC838170JZ02	Bronze Aluminium	3,32 gr.	400 4 x 100(Box x pcs. each)	€ 1,616
 GC838170PI02	White (RAL 9016)	3,32 gr.	160 4 x 40(Box x pcs. each)	€ 1,792
 GC838170PU02	Clay Brown (RAL 8003)	3,32 gr.	160 4 x 40(Box x pcs. each)	€ 1,91

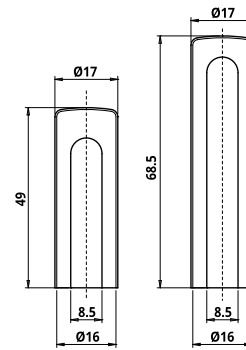
Short link



www.otlav.it - 838 Ø17

838 Ø17

Aluminium cap for URSUS Ø16



CODE	FINISHING	WEIGHT	Pcs / Box	PRICE PCS.	TOT.
GC8381709N02 Female cap	Matt Black	3,32 gr.	160 4 x 40 (Box x pcs. each)	€ 1,78	€ 5,50
GC8381709N04 Male cap	Matt Black	4 gr.	160 4 x 40 (Box x pcs. each)	€ 3,72	
GC838170J702 Female cap	Satinized Silver Aluminium	3,32 gr.	400 4 x 100 (Box x pcs. each)	€ 1,233	€ 4,173
GC838170J706 Male cap	Satinized Silver Aluminium	4 gr.	240 8 x 30 (Box x pcs. each)	€ 2,94	
GC838170JC02 Female cap	Satinized Nickel Plated	3,32 gr.	240 8 x 30 (Box x pcs. each)	€ 1,832	€ 5,002
GC838170JC06 Male cap	Satinized Nickel Plated	4 gr.	240 8 x 30 (Box x pcs. each)	€ 3,17	

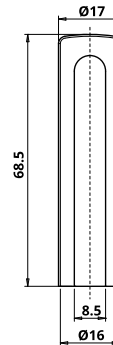
Short link



www.otlav.it - 838 Ø17

838 Ø17

Aluminium cap for URSUS PVC



CODE	FINISHING	WEIGHT	Pcs / Box	PRICE PCS.
GC8381709P02	White Nylon (RAL 9016)	4 gr.	160 4 x 40 (Box x pcs. each)	On request
GC838170JC06	Satinized Nickel Plated	4 gr.	240 8 x 30 (Box x pcs. each)	€ 3,17

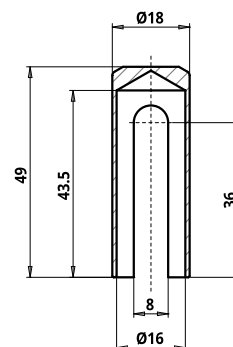
Short link





www.otlav.it - 838 Ø17

838 Ø18

Brass cap for NORDEX, BIXACTA and EXACTA Ø16



CODE	FINISHING	WEIGHT	Pcs / Box	PRICE PCS.
 GC838180BN04	Bronze Plated	23 gr.	400 4 x 100(Box x pcs. each)	€ 4,66
 GC838180L104	Polished Varnished	23 gr.	160 4 x 40(Box x pcs. each)	€ 5,12

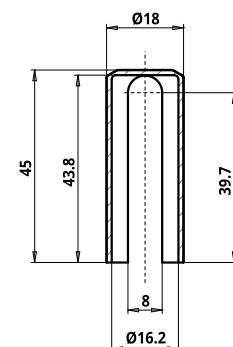
Short link



www.otlav.it - 838 Ø18

838 Ø18

Nylon cap for NORDEX, BIXACTA and EXACTA Ø16



CODE	FINISHING	WEIGHT	Pcs / Box	PRICE PCS.
 GC838180Y208	Black Nylon	2,41 gr.	480 4 x 120(Box x pcs. each)	€ 0,221
 GC838180Y305	White Nylon (RAL 9010)	2,41 gr.	480 4 x 120(Box x pcs. each)	€ 0,221
 GC838180Y503	Blue White Nylon	2,41 gr.	480 4 x 120(Box x pcs. each)	€ 0,221
 GC838180Y603	White Nylon (RAL 9016)	2,41 gr.	480 4 x 120(Box x pcs. each)	€ 0,221
 GC838180Y807	Dark Brown Nylon	2,41 gr.	480 4 x 120(Box x pcs. each)	€ 0,221
 GC838180YB03	Chrome Nylon	2,41 gr.	480 4 x 120(Box x pcs. each)	€ 1,306
 GC838180YC01	Matt Nickel Plated Nylon	2,87 gr.	160 4 x 40(Box x pcs. each)	€ 1,646
 GC838180YD05	Brown Nylon	2,41 gr.	480 4 x 120(Box x pcs. each)	€ 0,207
 GC838180YS04	Matt Chrome Plated Nylon	2,87 gr.	480 4 x 120(Box x pcs. each)	€ 1,306

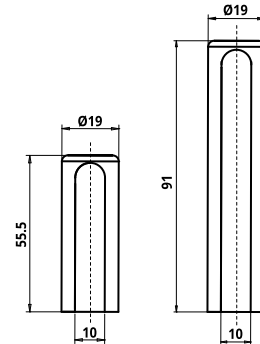
Short link



www.otlav.it - 838 Ø18

838 Ø19

Aluminium cap for URSUS Ø18



CODE	FINISHING	WEIGHT	Pcs / Box	PRICE PCS.	TOT.
GC838190J703 Male cap	Satinized Silver Aluminium	4,55 gr.	240 8 x 30 (Box x pcs. each)	€ 3,22	€ 5,552
GC838190J704 Female cap	Satinized Silver Aluminium	3,18 gr.	240 8 x 30 (Box x pcs. each)	€ 2,332	
GC838190JC03 Male cap	Satinized Nickel Plated	4,55 gr.	240 8 x 30 (Box x pcs. each)	On request	
GC838190JC04 Female cap	Satinized Nickel Plated	3,18 gr.	240 8 x 30 (Box x pcs. each)	On request	
GC838190J003 Male cap	Gold Aluminium	4,55 gr.	240 8 x 30 (Box x pcs. each)	€ 3,44	€ 6,05
GC838190J004 Female cap	Gold Aluminium	3,18 gr.	240 8 x 30 (Box x pcs. each)	€ 2,61	

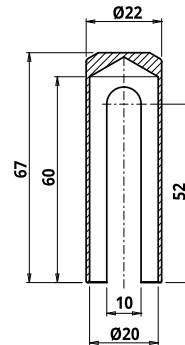
Short link



www.otlav.it - 838 Ø19

838 Ø22

Brass cap for EXACTA Ø20



CODE	FINISHING	WEIGHT	Pcs / Box	PRICE PCS.
GC838220BN04	Bronze Plated	39,64 gr.	4 x 50 (Box x pcs. each)	On request
GC838220H303	Black Engraved Zinc Plated	39,64 gr.	4 x 50 (Box x pcs. each)	On request
GC838220L104	Polished Varnished	39,64 gr.	4 x 20 (Box x pcs. each)	On request

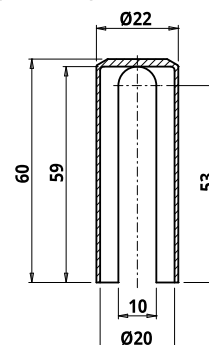
Short link




www.otlav.it - 838 Ø22

838 Ø22

Nylon cap for EXACTA Ø20



CODE	FINISHING	WEIGHT	Pcs / Box	PRICE PCS.
 GC838220V802	Polished Gold	3,64 gr.	200 4 x 50(Box x pcs. each)	€ 1,214
 GC838220VZ02	Bronze Plated	3,64 gr.	200 4 x 50(Box x pcs. each)	€ 1,214
 GC838220Y201	Black Nylon	3,64 gr.	200 4 x 50(Box x pcs. each)	€ 0,411
 GC838220Y301	White Nylon (RAL 9010)	3,64 gr.	200 4 x 50(Box x pcs. each)	€ 0,411
 GC838220YC01	Matt Nickel Plated Nylon	4,6 gr.	80 4 x 20(Box x pcs. each)	€ 2,642
 GC838220YD01	Brown Nylon	3,64 gr.	200 4 x 50(Box x pcs. each)	€ 0,411
 GC838220YS03	Matt Chrome Plated Nylon	4,6 gr.	200 4 x 50(Box x pcs. each)	€ 1,761

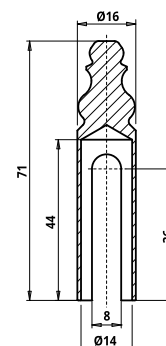
Short link






www.otlav.it - 838 Ø22

839 Ø16

Brass cap for POMELLAS, 491 and EXACTA Ø14



CODE	FINISHING	WEIGHT	Pcs / Box	PRICE PCS.
 GC839160BN03	Bronze Plated	32,55 gr.	360 4 x 90(Box x pcs. each)	€ 5,60
 GC839160L103	Polished Varnished	32,55 gr.	160 4 x 40(Box x pcs. each)	€ 5,83
 GC839160PG02	Old Silver	32,55 gr.	360 4 x 90(Box x pcs. each)	On request

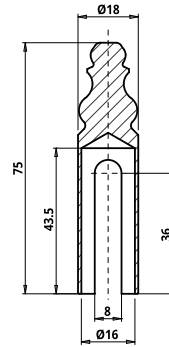
Short link






www.otlav.it - 839 Ø16

839 Ø18

Brass cap for NORDEX, BIXACTA and EXACTA Ø16



CODE	FINISHING	WEIGHT	Pcs / Box	PRICE PCS.
 GC839180BN03	Bronze Plated	41,05 gr.	300 4 x 75 (Box x pcs. each)	€ 6,57
 GC839180G002	Natural Brass	41,05 gr.	300 4 x 75 (Box x pcs. each)	€ 6,22
 GC839180L103	Polished Varnished	41,05 gr.	160 4 x 40 (Box x pcs. each)	€ 7,03

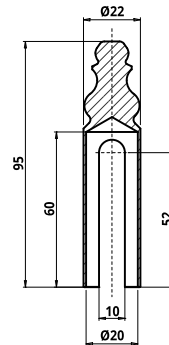
Short link





www.otlav.it - 839 Ø18

839 Ø22

Brass cap for EXACTA Ø20



CODE	FINISHING	WEIGHT	Pcs / Box	PRICE PCS.
 GC839220BN04	Bronze Plated	66 gr.	160 4 x 40 (Box x pcs. each)	€ 12,21
 GC839220L103	Polished Varnished	66 gr.	80 4 x 20 (Box x pcs. each)	€ 12,56

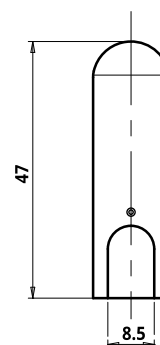
Short link





www.otlav.it - 839 Ø22

844 Ø14

Aluminium cap for 070, 075, 080 and 085 Ø13



CODE	FINISHING	WEIGHT	Pcs / Box	PRICE PCS.
 GC844140JA02	Blue Satinized Nickel Aluminium	2,65 gr.	680 4 x 170 (Box x pcs. each)	€ 0,797
 GC844140PI02	White (RAL 9016)	2,65 gr.	248 4 x 62 (Box x pcs. each)	€ 1,124

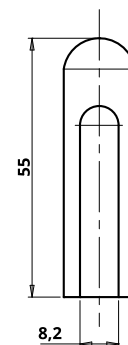
Short link







www.otlav.it - 844 Ø14

846 Ø15

Aluminium cap for POMELLAS, 491 and EXACTA Ø14



CODE	FINISHING	WEIGHT	Pcs / Box	PRICE PCS.
 GC846150J704	Satinized Silver Aluminium	2,95 gr.	600 4 x 150 (Box x pcs. each)	€ 1,468
 GC846150JA03	Blue Satinized Nickel Aluminium	2,95 gr.	600 4 x 150 (Box x pcs. each)	€ 1,468
 GC846150JT03	Satinized Nickel Aluminium	2,95 gr.	600 4 x 150 (Box x pcs. each)	€ 1,028
 GC846150PI02	White (RAL 9016)	2,95 gr.	180 4 x 45 (Box x pcs. each)	€ 1,571

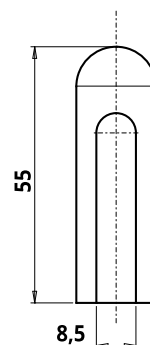
Short link



www.otlav.it - 846 Ø15

846 Ø17

Aluminium cap for NORDEX, BIXACTA and EXACTA Ø16



CODE	FINISHING	WEIGHT	Pcs / Box	PRICE PCS.
 GC846170J702	Satinized Silver Aluminium	3,42 gr.	400 4 x 100 (Box x pcs. each)	€ 1,761
 GC846170JA02	Blue Satinized Nickel Aluminium	3,42 gr.	400 4 x 100 (Box x pcs. each)	€ 1,468
 GC846170J002	Gold Aluminium	3,42 gr.	400 4 x 100 (Box x pcs. each)	€ 1,761
 GC846170JT02	Satinized Nickel Aluminium	3,42 gr.	400 4 x 100 (Box x pcs. each)	€ 1,468
 GC846170P302	White (RAL 9010)	3,42 gr.	160 4 x 40 (Box x pcs. each)	€ 1,616
 GC846170PI02	White (RAL 9016)	3,42 gr.	160 4 x 40 (Box x pcs. each)	€ 1,91
 GC846170PU02	Clay Brown (RAL 8003)	3,42 gr.	160 4 x 40 (Box x pcs. each)	€ 2,055

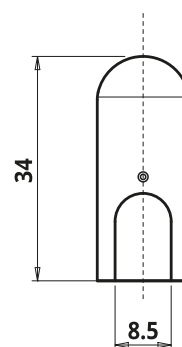
Short link






www.otlav.it - 846 Ø17

847 Ø14

Aluminium cap for O30, O50, O55, O57 and O70 Ø13



CODE	FINISHING	WEIGHT	Pcs / Box	PRICE PCS.
 GC847140J704	Satinized Silver Aluminium	1,84 gr.	1200 4 x 300 (Box x pcs. each)	€ 1,028
 GC847140JA04	Blue Satinized Nickel Aluminium	1,84 gr.	1200 4 x 300 (Box x pcs. each)	On request
 GC847140J006	Gold Aluminium	1,84 gr.	1200 4 x 300 (Box x pcs. each)	On request

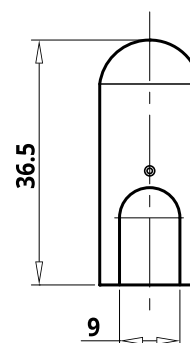
Short link






www.otlav.it - 847 Ø14

847 Ø15

Aluminium cap for 055 and 057 Ø14



CODE	FINISHING	WEIGHT	Pcs / Box	PRICE PCS.
 GC847150J702	Satinized Silver Aluminium	2,17 gr.	1000 4 x 250 (Box x pcs. each)	€ 1,322
 GC847150JI02	Silver Aluminium	2,17 gr.	1000 4 x 250 (Box x pcs. each)	On request
 GC847150J004	Gold Aluminium	2,17 gr.	1000 4 x 250 (Box x pcs. each)	On request

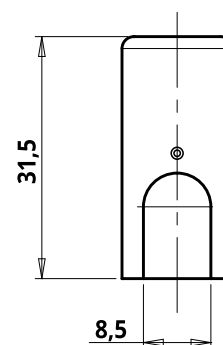
Short link






www.otlav.it - 847 Ø15

849 Ø14

Aluminium cap for 030, 050, 055, 057 and 070 Ø13



CODE	FINISHING	WEIGHT	Pcs / Box	PRICE PCS.
 GC849140J712	Satinized Silver Aluminium	1,6 gr.	1200 4 x 300 (Box x pcs. each)	€ 0,677
 GC849140J014	Gold Aluminium	1,6 gr.	1200 4 x 300 (Box x pcs. each)	€ 0,954
 GC849140PI12	White (RAL 9016)	1,6 gr.	248 4 x 62 (Box x pcs. each)	€ 1,112

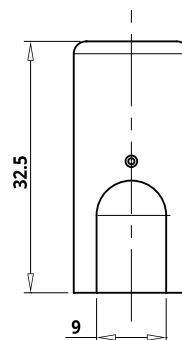
Short link





www.otlav.it - 849 Ø14

849 Ø15

Aluminium cap for 055 and 057 Ø14



CODE	FINISHING	WEIGHT	Pcs / Box	PRICE PCS.
 GC849150J702	Satinized Silver Aluminium	2,01 gr.	1000 4 x 250 (Box x pcs. each)	€ 0,951
 GC849150J002	Gold Aluminium	2,01 gr.	1000 4 x 250 (Box x pcs. each)	On request

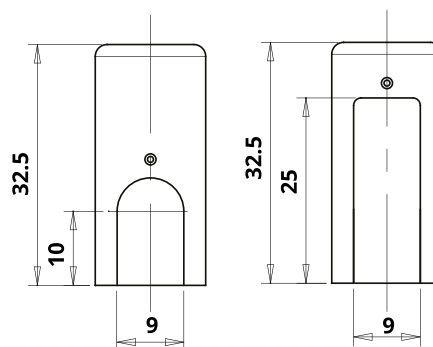
Short link





www.otlav.it - 849 Ø15

858 Ø15

Kit containing 6 aluminium caps 3 for male and 3 for female of P58 Ø14 hinges



CODE	FINISHING	WEIGHT	Pcs / Box	PRICE PCS.
 GC858150J703	Satinized Silver Aluminium	14 gr.	100 1 x 100 (Box x KIT x pcs. each)	On request
 GC858150J003	Gold Aluminium	14 gr.	100 1 x 100 (Box x KIT x pcs. each)	On request

Short link



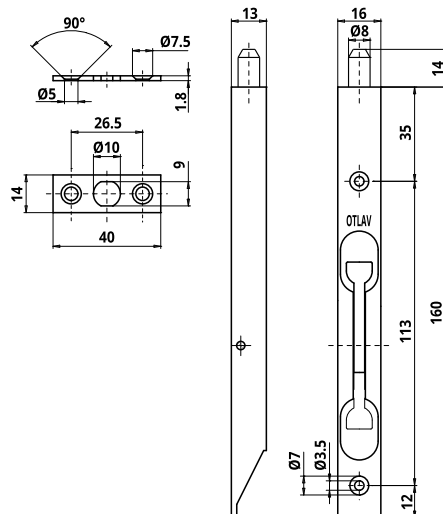
www.otlav.it - 858 Ø15

FLUSHBOLTS



LC 260 160

Lever steel flushbolt - Length 160 mm - Width 16



CODE	FINISHING	WEIGHT	Pcs / Box	PRICE PCS.
LC260160H002	Zinc Plated	73,55 gr.	240 12 x 20 (Box x pcs. each)	€ 2,484
LC260160N008	Nickel Plated	73,55 gr.	240 12 x 20 (Box x pcs. each)	€ 2,81
LC260160O002	Brass Plated	73,55 gr.	240 12 x 20 (Box x pcs. each)	€ 2,89
LC260160PK02	Bronze	73,55 gr.	240 12 x 20 (Box x pcs. each)	€ 3,07

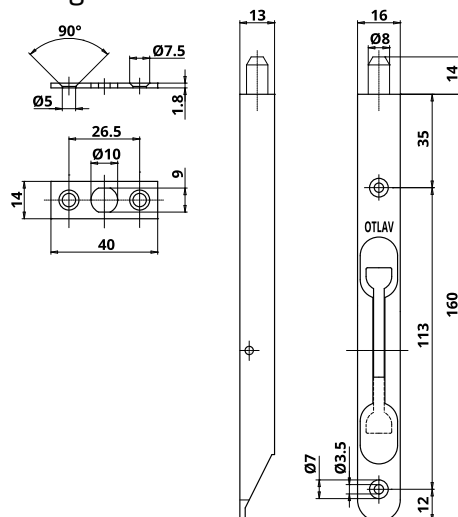
Short link



www.otlav.it - LC 260 160

LC 260 160

Lever steel flushbolt - Length 160 mm - Width 16 - Round edge



CODE	FINISHING	WEIGHT	Pcs / Box	PRICE PCS.
LC260160H012	Zinc Plated	72,61 gr.	240 12 x 20 (Box x pcs. each)	€ 2,56
LC260160N006	Nickel Plated	72,61 gr.	240 12 x 20 (Box x pcs. each)	€ 2,91

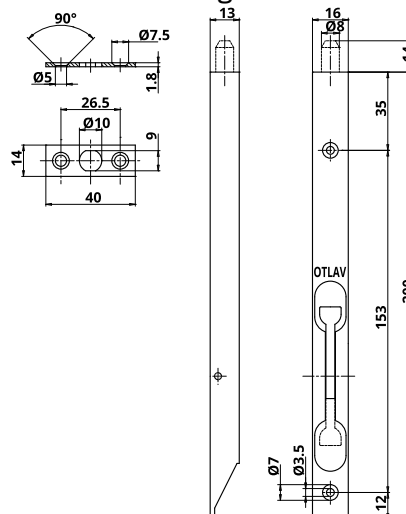
Short link



www.otlav.it - LC 260 160

LC 260 200

Lever steel flushbolt - Length 200 mm - Width 16



CODE	FINISHING	WEIGHT	Pcs / Box	PRICE PCS.
LC260200H002	Zinc Plated	90,85 gr.	180 9 x 20(Box x pcs. each)	€ 2,66
LC260200N008	Nickel Plated	90,85 gr.	180 9 x 20(Box x pcs. each)	€ 3,92
LC2602000002	Brass Plated	90,85 gr.	180 9 x 20(Box x pcs. each)	€ 3,36
LC260200PK02	Bronze	90,85 gr.	180 9 x 20(Box x pcs. each)	€ 3,26

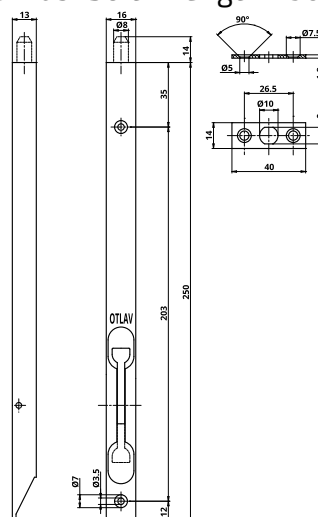
Short link



www.otlav.it - LC 260 200

LC 260 250

Lever steel flushbolt - Length 250 mm - Width 16



CODE	FINISHING	WEIGHT	Pcs / Box	PRICE PCS.
LC260250H004	Zinc Plated	110,58 gr.	180 9 x 20(Box x pcs. each)	€ 2,99
LC2602500002	Brass Plated	110,58 gr.	180 9 x 20(Box x pcs. each)	€ 3,98
LC260250PK02	Bronze	110,58 gr.	180 9 x 20(Box x pcs. each)	€ 4,09

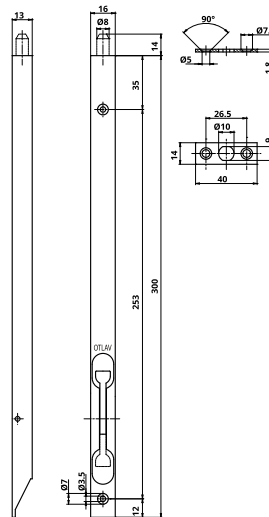
Short link



www.otlav.it - LC 260 250

LC 260 300

Lever steel flushbolt - Length 300 mm - Width 16



CODE	FINISHING	WEIGHT	Pcs / Box	PRICE PCS.
LC260300H002	Zinc Plated	133,4 gr.	120 6 x 20(Box x pcs. each)	€ 2,36
LC2603000002	Brass Plated	133,4 gr.	120 6 x 20(Box x pcs. each)	€ 3,63

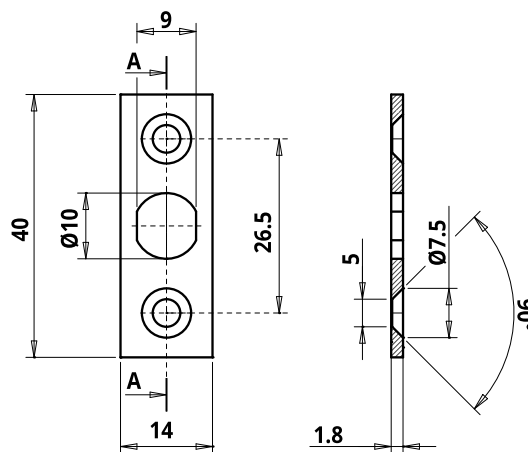
Short link



www.otlav.it - LC 260 300

NP 040

Plate with 3 holes



CODE	FINISHING	WEIGHT	Pcs / Box	PRICE PCS.
NP040140H002	Zinc Plated	5,3 gr.	2400 8 x 300(Box x pcs. each)	€ 0,108

Short link



www.otlav.it - NP 040

GENERAL CONDITIONS OF SALE

This document contains the general conditions of sale (hereafter 'General Conditions') of OTLAV S.p.A., VAT No. 01171050261, Registered Office in Via A. Padovan, 2, 31025 S. Lucia di Piave (TV), Italy (hereafter 'Vendor').

1. Subject

1.1 These General Conditions regulate all sales agreements for the Vendor's products (hereafter 'Products') to be entered into by the Vendor and each purchaser of its Products (hereafter 'Purchaser').

1.2 Waivers or amendments to these General Conditions shall be valid only if expressly accepted in writing by the Vendor, and shall refer only to the specific sales in question.

Therefore, all provisions endorsed on the purchase order or other Purchaser's document, be they in contrast or in addition to these General Conditions, shall be considered null and void unless they are expressly accepted in writing by the Vendor.

2. Conclusion of Sales Agreement

2.1 The Vendor's offer is to be considered valid for a period of thirty (30) days from the date it is made, unless otherwise indicated in the offer. Therefore, the Vendor shall have no obligation to consider any purchase orders received after the end of such term.

2.2 The order transmitted by the Purchaser to the Vendor on the basis of the offer shall contain accurate identification of the Products, the quantity required and any other element essential to conclude the sales agreement.

2.3 The sales agreement shall be considered concluded when the Purchaser receives written order confirmation from the Vendor. Such written confirmation can also be forwarded by e-mail or fax. Alternatively, the Vendor may exercise its discretion and accept the Purchaser's order without sending a formal order confirmation. In no way can express or implicit acceptance of an order by the Vendor be interpreted as acceptance of the Purchaser's general conditions, nor as waiving the application of these General Conditions of Sale.

2.4 Agents and brokers do not commit the Vendor in any way and any orders received from said agents and brokers shall be considered subject to a written order confirmation from the Vendor.

2.5 Following acceptance of an order by the Vendor, the Purchaser may not cancel such order without the Vendor's written consent, which may be subject to a refund of all costs incurred by the Vendor. The Vendor shall have the right to receive damages in the event of unauthorised cancellation of orders by the Purchaser.

3. Products

3.1 Information about Products contained in catalogues, price lists, brochures, websites or other similar instruments, as well as samples, are purely indicative/illustrative. Product conformity shall be assessed exclusively by comparison with the characteristics mentioned in the offer.

3.2 The Vendor reserves the right to modify the Products and technical/sales documentation as it sees fit, without altering the essential features.

3.3 Any requests from the Purchaser for modification after the order has been sent must be made in writing and will be charged for separately.

3.4 The Vendor is not liable for any errors in processing orders, if the Purchaser provides incomplete, missing or wrong indications of the Article Code.

3.5 In the case of bespoke products made specifically for the Purchaser (hereafter 'Special Products') the Vendor reserves the right to prepare a special technical drawing that describes the dimensions and technical characteristics of the product in question. Such document shall be signed and sealed for acceptance by the Purchaser. Acceptance of a technical drawing nulls and replaces all other technical descriptions provided at the preliminary or offer stage. The Vendor cannot be held responsible for errors or omissions deriving from incorrect or incomplete information transmitted by the Purchaser. It is the Purchaser's task to check the required technical characteristics by examining the working project transmitted for its approval before production begins.

3.6 With regard to Special Products, the Vendor may charge the Purchaser with the cost of preparing equipment for the manufacture of such articles. By paying the cost of the equipment the Purchaser acquires the right for the Vendor to use such equipment exclusively for the manufacture of the Special Products for the Purchaser. However, the Vendor remains the owner of the equipment. Should the Purchaser fail to issue orders for a year or a year has gone by from the last production batch with no further orders issued for the Special Products in question, the Purchaser shall lose the above-mentioned exclusive right and at the same time the Vendor shall be free to use the equipment for any reason whatsoever, including scrapping due to lack of use.

4. Retention of Title

4.1 The parties expressly agree that the Vendor shall maintain full ownership of the Products sold until the sum due has been fully settled. Therefore, the Purchaser acquires ownership only after paying the entire price agreed, as well as ancillary expenses, but assumes all risks after taking delivery, as per art. 1523 Italian Civil Code.

4.2 Before the entire price agreed has been paid, the Purchaser cannot let the Products be confiscated or seized without declaring the Vendor's ownership (immediately informing the latter) subject to the operation of the acceleration clause, if just one of the above-mentioned obligations is breached.

4.3 Until full payment of the price the Vendor may send its inspectors to examine the Products in the place where they are stored.

4.4 Where required, the Purchaser shall cooperate with the Vendor in fulfilling the formalities needed to ensure the effectiveness of this retention of title clause in the Purchaser's country.

5. Prices

5.1 Sales prices are calculated according to the supply terms agreed from time to time and are net of any VAT; they may also include any other charges and costs (e.g. transport costs) if indicated on the invoice.

Prices are calculated in Euro.

5.2 If production costs increase in the period between order confirmation or receipt of payment in the case of advance payment, and the scheduled date of delivery of the Products due to factors beyond the control of the Vendor, such as increases in the cost of raw materials, electricity and labour costs (e.g. collective wage agreements) or in the cost of other production factors, the price given in the offer may be reviewed at any time to take such variations into account. Subject to agreements relating to Special Products, either of the Parties may withdraw from the agreement if the Purchaser does not accept the price variations proposed by the Vendor, and the Purchaser shall have no right to damages, refunds or indemnities.

5.3 The Vendor reserves the right to change the prices in the price list at any time, with immediate effect and without notice. Variations to the price lists shall be applied to agreements entered into after the variation comes into effect.

6. Terms of Payment

6.1 Terms of payment are indicated in every order confirmation issued by the Vendor and sent to the Purchaser for each individual sales agreement.

6.2 Unless otherwise agreed, all payments shall be made to the Vendor by bank transfer to the bank indicated by the Vendor. Payments made to collection agents must be duly authorised.

6.3 Where payment by letter of credit has been agreed, such letter of credit shall be issued by a leading bank that adopts the Uniform Customs and Practice for Documentary Credit issued by the International Chamber of Commerce (ICC) in effect on the date the sales agreement is concluded.

6.4 Failure to pay all or part of the sales price on any established due date will give the Vendor the right to apply interest, without the need for formal notice, at the rate applied by the ECB to main refinancing operations, increased by eight percentage points, pursuant to art.4 Italian Legislative Decree No. 231 of 9 October 2002, which receives CE Directive 35/2000, until the date of settlement, subject to any other remedy in the Vendor's favour included in these General Conditions and/or law.

6.5 Failure to settle any sum within 14 (fourteen) days of the established due date gives the Vendor the right to suspend deliveries, also for different existing agreements and to terminate the sales agreement immediately, subject to the right to obtain damages, including the refund of legal expenses connected to credit recovery operations.

6.6 Payments are considered settled when they are actually credited to the Vendor's current account.

7. Product Delivery and Documentation

7.1 Products are delivered to the Purchaser according to the delivery terms agreed from time to time.

7.2 The Vendor shall provide the Purchaser with a Declaration of Performance (DOP) for the Products (where required under the terms of EU Regulation 305/11 and any later amendments and integrations and/or according to other statutory provisions) by publication on its website. A copy on paper may be sent to the Purchaser if requested in writing.

7.3 The Vendor shall provide packing according to the normal method in use.

7.4 As delivery terms agreed between the Parties are indicative, any delays cannot justify claims for refunds or order cancellation by the Purchaser. Any penalty clauses for delayed delivery shall have no effect on the Vendor. In the event of deferred payment, delivery terms shall begin from the date of order confirmation; in the event of payment in advance or by letter of credit, delivery terms shall begin from the date of payment or notice from the bank of the opening of a letter of credit in compliance with the Vendor's requirements. The Vendor reserves the right to make partial deliveries as and when the individual parts are ready for dispatch.

In any case, the Vendor shall have no liability for delayed deliveries due to force majeure, as per art. 10 hereof.

7.5 The Purchaser may apply to the Vendor in writing for collection and transport to be carried out by a courier or shipping agent on its behalf. Should the Vendor accept, the courier or shipping agent shall be considered directly appointed by the Purchaser, who shall be charged with all the risks and expenses involved.

7.6 From consignment of the Products to the first courier, notwithstanding the agreed delivery terms all the risks relating to the Products are transferred to the Purchaser, who shall also be charged with the costs of storage, custody and insurance, or whatever else.

7.7 For Special Products, unless otherwise agreed, the Vendor reserves the right to deliver goods 10% above or below the quantities ordered, due to technical and production needs.

8. Complaints on Delivery and Returns

8.1 The Purchaser shall carefully inspect the Products delivered as soon as possible after receiving them. Any complaints regarding packing, quantity or faulty parts, and in general all complaints regarding defects evident on delivery, shall be sent to the Vendor in writing (by registered letter with return receipt,

PEC, fax or email) no later than eight (8) days from receipt of the Products. With the Vendor's prior written authorisation the parts deemed to be faulty shall be returned in their original packing and the cost of transport and insurance charged to the Purchaser. The Purchaser shall specify the complaint in a separate note which indicates the date and number of the Vendor's invoice to which the returned parts refer. Failure to notify defects promptly and to return the faulty part (when authorised), shall cause the Purchaser to lose the right to claim for the above-mentioned defects.

8.2 Returned goods shall reach the Vendor properly packed and accompanied by a document which clearly states the details of the relative invoice for each individual product. Any returns the Vendor finds to have been tampered with or wrongly used will not be replaced or refunded and will be sent back to the Purchaser, who will be charged any expenses and risks. Returns of Special Products, discontinued articles or goods with defects for which the Vendor is not liable will not be accepted.

9. Guarantee

9.1 The Vendor guarantees that the Products sold have the essential qualities for the use to which they will be put, according to the Product technical specifications and order confirmation, and comply with Italian law as well as the applicable EU Standards and/or any other standards specified in the Vendor's offer. With reference to Products for which the Vendor provides a Declaration of Performance (DOP) pursuant to EU Regulation 305/2011, the Vendor guarantees the Product's conformity to the contents of such Declaration.

The above-mentioned guarantee covers all defects that appear in the Products as a result of normal use and that derive exclusively from defects in materials or workmanship extant before delivery.

The guarantee is issued to the Purchaser only and cannot be extended to successive purchasers of the Products, or third parties in general.

9.2 For the guarantee issued by the Vendor to be valid, the Purchaser shall scrupulously observe the indications in the installation instructions, if applicable, and in the Declaration of Performance (DOP) provided by the Vendor. The guarantee does not apply if the Purchaser is not up to date with payments, if it has not used the Products according to the above-mentioned instructions, if it has made alterations or tampered with the Products or used them for a purpose different from their intended use, or in all possible ways that cause damage or faulty operation due to the fault or negligence of the Purchaser, its employees and auxiliary workers or third parties in general, including incorrect installation or maintenance.

9.3 The Vendor's guarantee does not cover any damage due to wear caused by installation and use that does not comply with the terms of the Declaration of Performance (DOP) or the installation instructions. Neither does the Vendor's guarantee cover any damage due to incorrect storage of Products held entirely or partly in a warehouse by the Purchaser prior to installation, use or resale to end customers.

9.4 Subject to art.8 of these General Conditions (Complaints on Delivery and Returns), the Purchaser shall report any defects in the Products to the Vendor in writing within 8 (eight) days of their discovery. Such report shall be forwarded by fax or e-mail, followed by a registered letter with return receipt. Any report of defects shall specify precisely the defect found and the Products involved. Any other form of report is excluded, particularly those by word of mouth.

Failure to provide the above promptly will deprive the Purchaser of the right to invoke the Vendor's guarantee according to these General Conditions and/or law.

With prior authorisation, the faulty material shall be sent by the Purchaser to the Vendor's facilities for the necessary checks. Transport costs for authorised returns shall be paid by the Purchaser. The faulty parts will become the Vendor's property after replacement.

9.5 If the Vendor's inspection confirms the reported defect, the Vendor may exercise its incontestable judgement to replace the faulty Product or eliminate the defects. Faulty Products shall be replaced ex the Vendor's works.

9.6 The guarantee granted under the terms of this article 9 is the only, exclusive guarantee provided to the Purchaser and replaces every other form whatsoever of expressed or implicit guarantee, whether provided for by law or trade customs. The remedies granted to the Purchaser on the basis of these General Conditions shall be considered the only, exclusive remedies.

In addition, the Vendor's contractual and/or non-contractual liability for direct or indirect damage deriving from the Products supplied, or from any breach of contract by the Vendor, is also expressly excluded, except in the case of willful misconduct or gross negligence.

The Purchaser shall indemnify and hold harmless the Vendor from and against damage caused by elements of the Product supplied by the Purchaser (including, but not limited to, components, plans, etc.).

9.7 This agreement also expressly excludes the Purchaser's right to suspend or delay payments in the event of complaints; neither can the Purchaser independently reduce prices and/or offset sums owed by it for Product prices with amounts the Purchaser deems due to it for any reason.

10. Force Majeure

10.1 The Vendor shall not be liable to the Purchaser for breach of any clause in these General Conditions and/or sales agreement, if fulfilment is made impossible or excessively costly due to unpredicted events beyond its control. Such events include, by way of example but not limited to, the following: fires, floods, earthquakes, explosions, accidents, wars, uprisings, insurrections, sabotage, epidemics or pandemics, restrictions due to quarantine, strikes, labour shortages, transport stops, lack of electricity, raw materials, components

or machinery for the manufacture of the Products, natural events, acts by any public authority, including foreign, and significant increases in production costs.

10.2 If a force majeure impedes or delays delivery of the Products to the Purchaser, or the fulfilment of any one of the Vendor's other obligations for a period exceeding six (6) consecutive months, the Vendor shall have the right to terminate the sales agreement with no liability of any kind towards the Purchaser.

11. Distinguishing Marks on Products

11.1 The Purchaser undertakes not to delete or remove the Vendor's signs and other distinguishing or identification marks on the Products and/or on the Vendor's documents.

11.2 It is understood that neither these General Conditions nor individual sales agreements grant the Purchaser any rights whatsoever (e.g. licenses or other) to the Vendor's distinguishing marks. Any use by the Purchaser of the Vendor's distinguishing marks is prohibited, unless the Vendor authorises such use in writing.

12. Termination of Sales Agreement

The Vendor has the right to immediately terminate the sales agreement entered into on the basis of these General Conditions, and in the cases expressly provided for in these Conditions and applicable regulations, if the Purchaser's economic situation changes in such a way as to compromise its ability to meet its obligations or if the Purchaser is, for example, put into liquidation, insolvency or subjected to other bankruptcy procedures.

In such case, the Vendor shall have the right to require full settlement of any sums still due from the Purchaser.

13. Industrial and Intellectual Property Rights

13.1 Unless the Parties have agreed otherwise in writing, the Vendor is and remains the exclusive owner of all industrial and intellectual property rights connected with the Products supplied, including their single parts, documentation and material prepared in executing the agreement (e.g. drawings, graphs, plans, samples, files, and other material developed to provide design services).

13.2 In any case, the Vendor shall keep the only and exclusive ownership of every and any pre-existing industrial property developed by the Vendor before entering into the agreement with the Purchaser, as well as all the industrial property the Vendor may develop at any time later without using the Purchaser's confidential information or industrial property.

13.3 Each party shall protect the other in the event of breaches of third party's industrial and intellectual property rights, on the understanding that the party responsible for the breach is immediately informed in writing by the other party. If final judgement finds that due to the Vendor's fault the Product breaches the rights of third parties, the Vendor may choose whether to replace, alter or withdraw the Product with no further liability.

14. Confidentiality

Any information provided by the Vendor to the Purchaser with reference to a sales agreement or potential sale shall be considered at all times strictly confidential, whatever the way or means in which the information is provided. The Purchaser may use such information for the sole purpose of assessing or fulfilling a sales agreement with the Vendor, with the exclusion of any other purpose. The Purchaser may not reveal or disclose any such information to third parties, with the exception of a limited number of its employees or consultants who necessarily need to have it.

15. Severability

If any one of the clauses in these General Conditions is considered invalid or ineffective, such invalidity or ineffectiveness shall not compromise the validity of the other clauses, which shall continue to be valid.

16. Incoterms

Unless otherwise agreed in writing, any delivery terms agreed between the Vendor and Purchaser shall be interpreted pursuant to the International Chamber of Commerce (ICC) INCOTERMS in force on the date of the sales agreement.

17. Applicable law

These General Conditions and any sales agreement entered into in compliance with them are regulated by Italian law.

18. Jurisdiction and Competent Court

18.1 Any controversy arising from these General Conditions and/or from sales agreements entered into pursuant to them shall fall under Italian jurisdiction and the Court of Treviso shall have exclusive competence.

18.2 Waiving art.18.1, it is agreed that as an alternative to the above, and at its sole discretion, the Vendor shall have the right to sue the Purchaser in the competent Court in the latter's jurisdiction.



OTLAV S.p.A
Via Angelo Padovan 2
31025 Santa Lucia di Piave (TV) - Italy
tel. +39 0438 4611 - fax +39 0438 439252
www.otlav.it - info@otlav.it