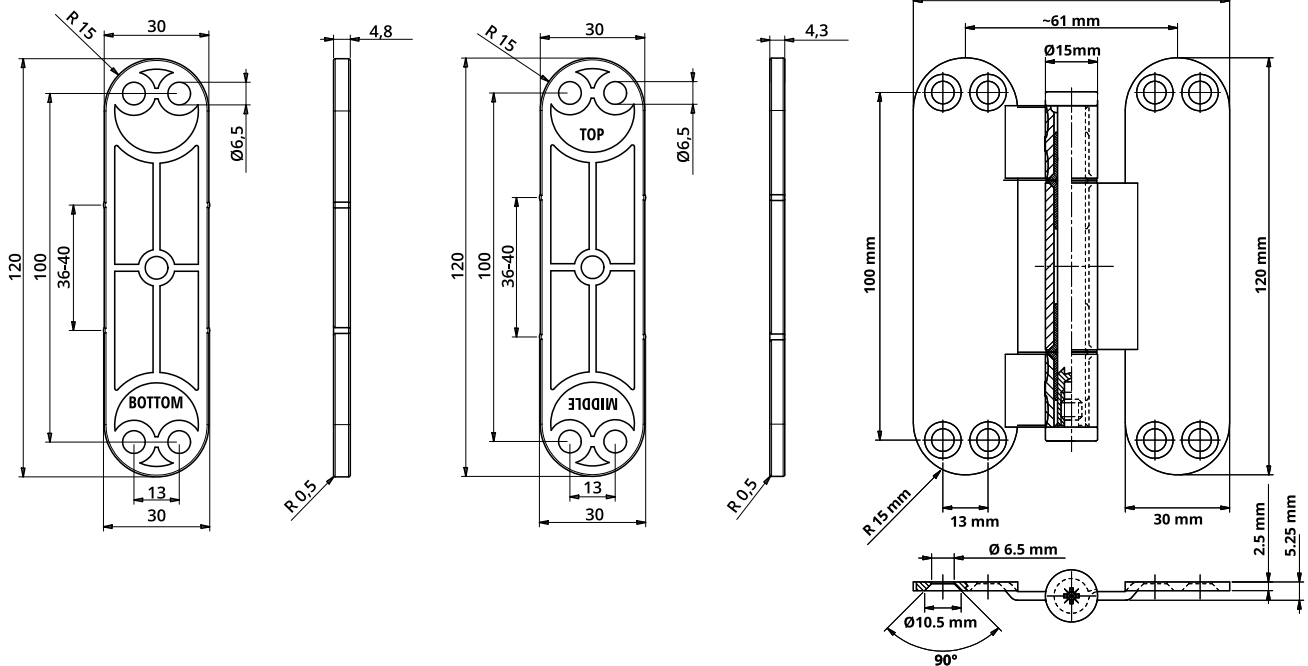
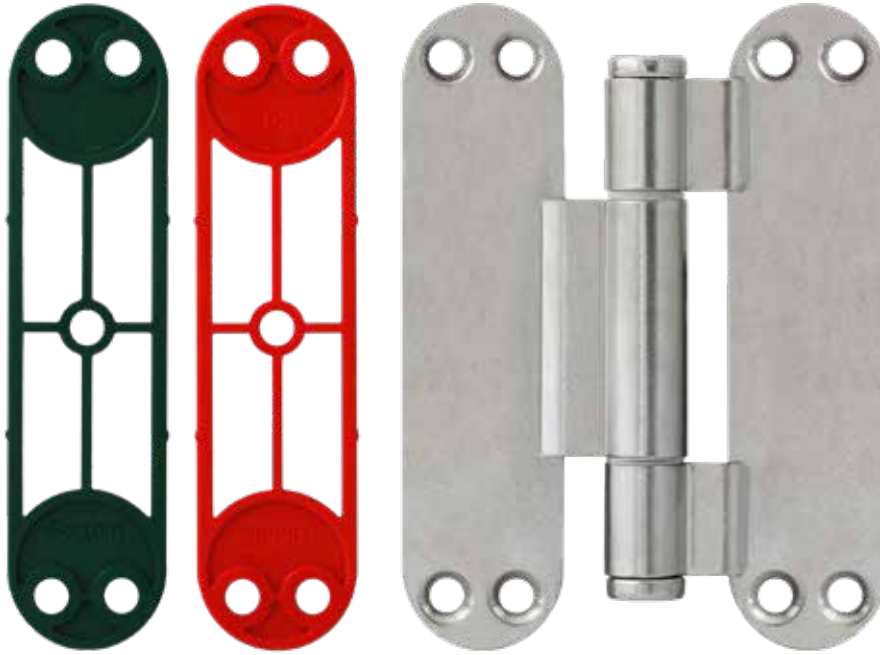


TECHNICAL SHEET CI335150N035

Plate hinge



Technical features

- The hinge is suitable to be installed on doors and frames in wood.
- Material of hinge: steel.
- The hinge can be fitted right and left.
- The hinge is suitable to be installed on doors and frames with IN300 millings.
- Equipped with spacers that allows to prevent the natural sinking of the door.
- Kit composed by: 3 hinges, 4 green spacer, 4 red spacer and 24 screws cod. VI045035H001

Technical data

Capacity with three hinges*	40 Kg.
-----------------------------	--------

* Tested with 90x210cm doors

Finishing

Nickel plated	NO
---------------	----