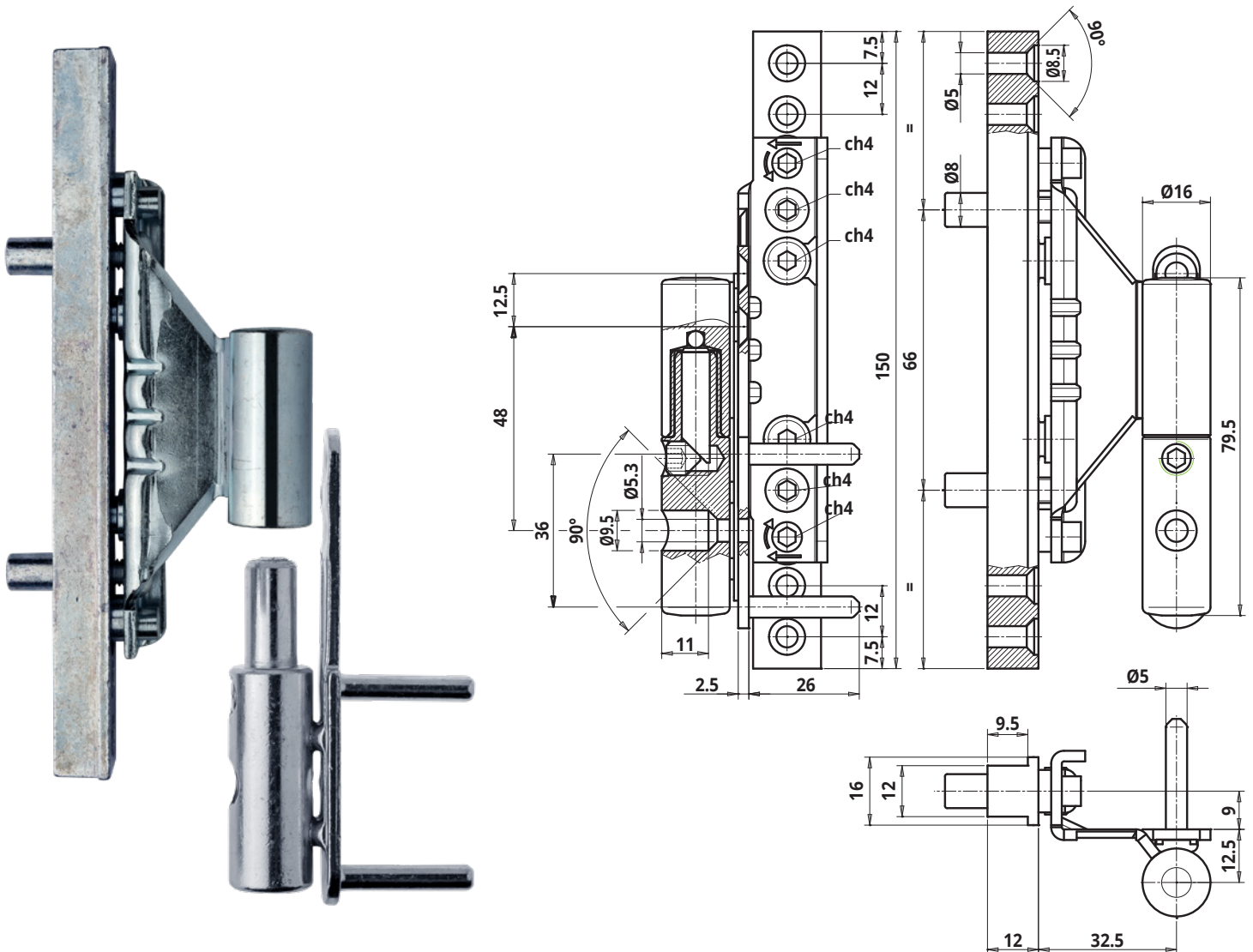


# TECHNICAL SHEET BIXACTA AXIS 9

Adjustable hinge for entrance doors in aluminum, PVC and wood  
cod. CF483160H519 + CG482160H517



## Technical features

- The hinge is suitable for profiles with European fitting groove with 9 mm axis, which is widely used in the world of aluminum, but also in wooden and PVC frames.
- Inserting the hinge directly into the hardware groove ensures stability and high loading capacities.
- Equipped with 3-way adjustments that can be settled by means of just one 4 mm hex-spanner.
- Door opening DIN right.
- Door opening angle 180°.
- CE certified

## Technical data

Capacity*	80 Kg.
Side adjustment	± 3 mm
Height adjustment	± 5 mm
Depth adjustment	± 1,5 mm

\* Tested with 90x210 cm doors according UNI EN1935:2004 norm - For more information on the number of hinges to be used according to the weight and dimension of the door, please see the loading charts available on the website [www.otlav.it](http://www.otlav.it).

## Accessories

A wide range of caps for covering the hinge available in different styles, finishes and materials: ABS, aluminum, solid brass.

## Finishing

Zinc plated	H5
-------------	----