



EN

# CATALOGUE 2026

Hinges for doors and windows  
Accessories for frames





## **1956 - 2026**

70 years of history, carried in the hearts of the over 2,000 employees who have passed through Otlav. Each one leaving their own mark.

Not a single drop of that wealth of knowledge or sacrifice has been lost.

We have treasured it, and now we are passing it on to the many young people who began their journey right here, with us, in the real and wonderful world of work. What an amazing emotion-packed adventure!

Unbridled enthusiasm has overcome many disappointments, each time making us more resilient.

**Fabio Padovan**



**OTLAV S.p.A** produces and sells hinges for doors and windows and other accessories for frames. **Founded in 1956 by entrepreneur Angelo Padovan, Otlav has produced more than 2,2 billion of hinges since 1956.**

With more than 100 registered patents, Otlav ensures high quality standards and **is present with its wide range of products in over 80 countries worldwide.**

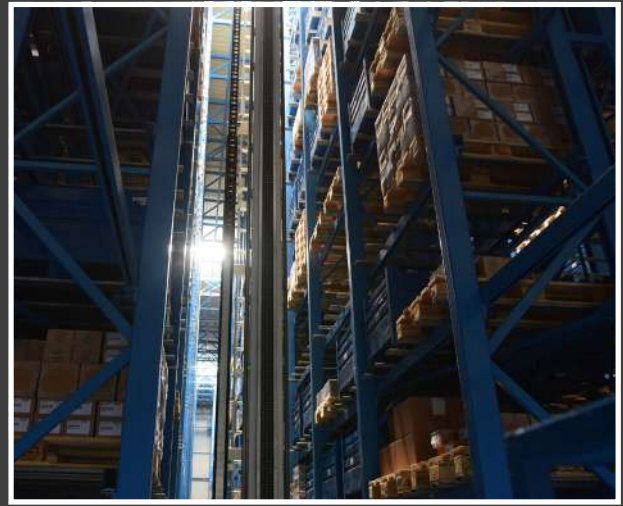
In 2007 the current production site was inaugurated in Santa Lucia di Piave, built with excellent technologies and cutting-edge operational tools. It's a jewel of automation and allows to reduce the management and production costs, reason why it is frequently visited by technicians from all over the world.

Basing on these investments Otlav has intensified its two main features:

- Continued investment in cutting-edge technology and production machinery.
- Complete autonomy and self-responsibility in the whole production chain, which is property of Otlav.



For the transportation of all necessary material, "OAMH" makes use of special automatic trolleys designed and built specifically for OTLAV, called **LGV (Laser Guided Vehicle)**. These trolleys transport and distribute the necessary materials to individual machinery for seamless working in a completely automatic way. Speed, safety and precision.

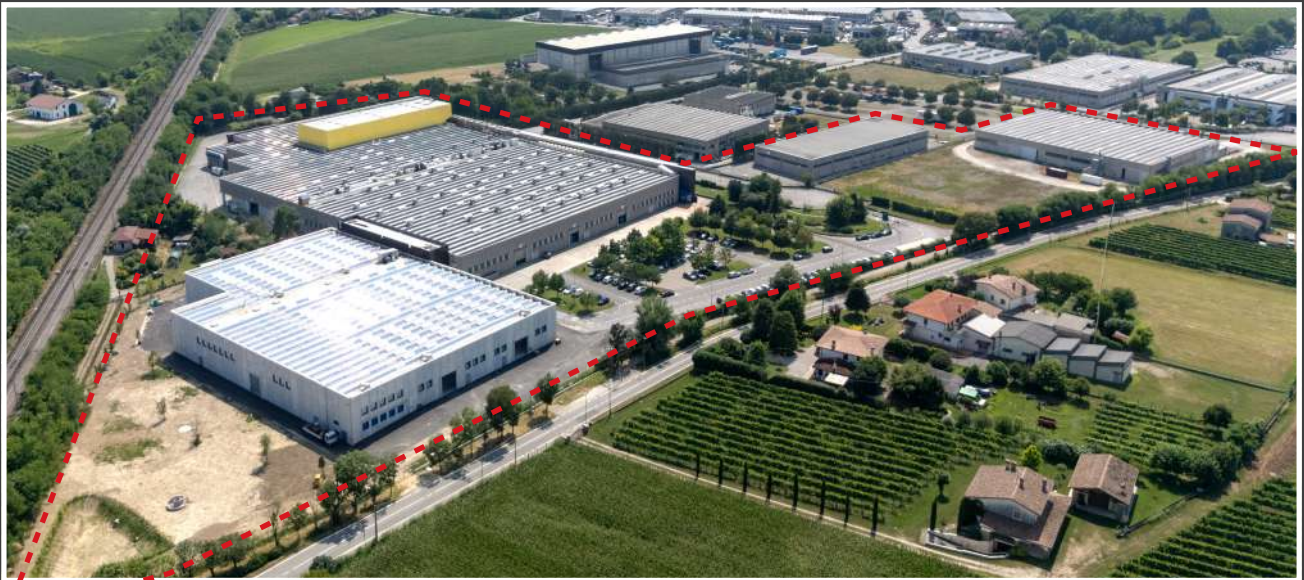


Rationalization of space, optimization of logistics and exploitation of integrated automation: all of these account for respectively the flow or transportation of materials and the streaming of information.

**The goal is to cut costs by rendering the hinges increasingly competitive with an unparalleled level of quality.**

The means through which this goal is achieved is by the implementation of a complex automated system from the instant when the raw material enters the factory to the exit of the finished product, without any sort of interference from the outside.

**"OAMH"** "Otlav Automatic Material Handling" is a project developed after five years of research and studies all around the world; a technological jewel created by designing at first the best logistical location, and then a subsequent lay out, and eventually the container to cover these structures: an unmistakable technological masterpiece, which is 20 meters high.



**----- OTLAV boundary 2025**

In 2021, due to the continuous increase in demand and the need to store large quantities of raw materials, a 2,200 m<sup>2</sup> warehouse was purchased next to the production site;

In 2023, the 6,000 m<sup>2</sup> expansion work on the east side was completed. In 2025, an additional 4,500 m<sup>2</sup> warehouse was purchased on the west side. The current area occupied by OTLAV plant is 73,000 m<sup>2</sup>, of which 32,000 are covered.

In four years, Otlav production surface has increased by 66%.

(In the photo the expansion works - 19 October 2022)

# CATALOGUE

We have compiled this list in order to help our customers as much as possible when they are making out their orders, to eliminate the possibility of mistakes and subsequently, to shorten the delivery times of our products.

The codes of all the articles available in the OTLAV warehouse are listed clearly and precisely and each code refers to a single article.

For example, there is a code for the complete hinge (code CI), the male part (code CG) and the female part (code CF), or the hinge cap (code GC). In each case, the product is described in detail, with code, type, finishing, packaging and price.

The price is given in Euros and the price is the sum of the prices that make up a hinge, i.e. the price of the male part (code CG) plus the price of the female part (code CF), or the price of a complete hinge (code CI).

**Important:** we recommend you to pay the utmost attention when using this List, especially in the initial stages, because **ONLY COMPLETE, EXACT CODES ARE CONSIDERED VALID**, in order to avoid regrettable hitches.

This price list can undergo products and prices modifications without notice, for updating refer exclusively to the online price list published on website [www.otlav.com](http://www.otlav.com).

Further information regarding OTLAV products, such as quality reports, tests and others, is available on the website: [www.otlav.com](http://www.otlav.com).

# CODE STRUCTURE

## AA BBB CCC DD EE

The ordering code has been prepared using the following method:

### AA = GROUP

- AI = door alignment device,
- CE = bush,
- CF = female part,
- CG = male part,
- CI = complete hinge,
- CR = pintle,
- FP = pivot,
- GC = cap,
- IN = concealed hinge,
- JC JR = fixing plate,
- LC = flushbolts,
- MA = complete tools box,
- MC = jig,
- NP = plate,
- NT = bolt hinge,
- RO = washer,
- TE = head,
- TO = hole cover,
- TP = door closer.

### BBB = MODEL

**CCC** = DIAMETER or REFERENCE SIZE (hinges = diameter; bolts = length). For tools, it indicates the diameter of the article for which they have been made. It is specified in teens of millimeter: for example Ø13 = 130.

**DD** = SURFACE FINISHING of the particular product.

**EE** = PROCEEDING NUMBER which identify the article.

---

**NB: OTLAV may not be held responsible for any errors that occur due to an incomplete, absent or incorrect article code during the dispatching of orders.**

<b>TESTS</b>	<b>8</b>	CE 048 Ø15	93	JR 513	161
<b>FINISHING</b>	<b>12</b>	FP 096 Ø8	93	JR 519	162
<b>INVISACTA</b>	<b>15</b>	TE 012 Ø15	94	JR 520	163
IE 236	16	<b>Hinges for WOOD</b>	<b>93</b>	JR 521	163
IE 244	17	030 Ø13	96	JR 523	164
INVISACTA IN230	18	030 Ø14	97	PP 007	164
INVISACTA IN232	20	030 Ø16	97	PP 105	165
INVISACTA IN235	21	031 Ø16	98	RO 720	166
INVISACTA IN299	22	050 Ø13	99	SALVADITA	168
INVISACTA IN300	23	055 Ø13	100	<b>TOOLS</b>	<b>169</b>
INVISACTA IN301	25	055 Ø14	101	MA 700	170
INVISACTA IN303	26	055 Ø16	103	MA 701	171
INVISACTA IN305	27	057 Ø13	104	MA 703	175
INVISACTA IN310	28	057 Ø14	105	MA 801	176
INVISACTA IN311	29	P58 Ø14	106	MC 701	176
INVISACTA IN343	30	070 Ø13	107	MC 703	179
INVISACTA IN570	31	075 Ø13	107	MC 710	180
INVISACTA IN573	32	085 Ø13	108	MC 711	181
335 Ø15	33	133 Ø16	109	MC 712	182
AI 230	34	190 Ø13	110	MC 713	183
AI 300	34	190 Ø14	111	MC 714	184
GC 230	35	190 Ø16	112	TRIMK	185
GC 230 EASY CLIP	36	210 Ø13	113	MU 803	185
GC 300	37	300 Ø13	114	MU 8	187
GC 300 EASY CLIP	38	300 Ø14	114	MR A	188
JC 522	39	320 Ø15	115	<b>CAPS</b>	<b>189</b>
MU 800	39	320 Ø16	115	473 Ø19	190
MU INV AL	40	320 Ø18	116	476 Ø20	190
MU INV ABS	41	320 Ø20	117	815 Ø17,5	191
NP 120	42	NT 021	118	826 Ø14	191
PP 105	44	S08 Ø11	119	818 Ø15	192
TP230	44	S17 Ø14	120	836 Ø16	192
<b>PVC</b>	<b>45</b>	<b>PINTLES</b>	<b>121</b>	838 Ø14	193
P09 Ø13	46	CE 014 Ø14	121	838 Ø15	193
P36 Ø13	47	CE 030 Ø16	122	838 Ø16	195
P38 Ø13	48	<b>ADJUSTABLE HINGES</b>	<b>123</b>	838 Ø17	195
P50 Ø15	50	URSUS PLUS	124	838 Ø18	197
TRIXACTA	53	URSUS 250	125	838 Ø19	198
MIXACTA 2D	56	POMELLAS	127	838 Ø22	198
BIXACTA	60	488 Ø16	129	839 Ø16	200
MIXACTA 3D	67	491 Ø14	130	839 Ø18	200
URSUS PVC	69	EXACTA	132	839 Ø22	201
ROLLACTA	71	URSUS	141	844 Ø14	201
<b>STAINLESS STEEL Hinges</b>	<b>77</b>	<b>Hinges for METAL profiles</b>	<b>147</b>	846 Ø15	202
101 Ø15	78	031 Ø16	148	846 Ø17	202
335 Ø15	79	095 Ø14	149	847 Ø14	203
355 Ø13	80	102 Ø15	149	847 Ø15	203
355 Ø14	80	320 Ø18	150	849 Ø14	204
EXACTA	81	335 Ø15	151	849 Ø15	204
P50 Ø15	82	EXACTA	152	<b>FLUSH BOLTS</b>	<b>205</b>
<b>DIN-NORM</b>		750 Ø18	153	LC 260 160	206
<b>Hinges for German profiles</b>	<b>83</b>	<b>Hinges for FURNITURE</b>	<b>155</b>	LC 260 200	207
100 Ø15	84	530 Ø9	156	LC 260 250	208
101 Ø15	85	530 Ø11	156	LC 260 300	209
102 Ø15	86	605 Ø9	157	LC 260 400	210
335 Ø15	87	605 Ø11	158	LC 260 600	211
341 Ø15	91	<b>ACCESSORIES</b>	<b>159</b>	NP 040	212
CE 335 Ø15	91	AI S98	160	<b>GENERAL CONDITIONS OF SALE</b>	<b>213</b>
CE 022 Ø15	92	CERNIPANNI	160		
CE 047 Ø15	92	JR 512	161		

# OTLAV TESTS

## Hinge carrying capacity

As required by European regulations and by Regulation (EU) No. 305/2011 **all OTLAV hinges are subjected to stringent resistance tests to check performance both during the design phase and regularly during manufacturing.**

The I.U.S. (Intensive Use Simulator) is the testing system used in the OTLAV Test Laboratories.

It consists of a rigid structure made up of uprights and crosspieces to which the door or window being tested is fixed and by integrated automated systems that simulate the movement of the door/window during normal use. The special configuration of the I.U.S. faithfully reproduces the fixing of the door/window to the support it is intended for. It is also able to recreate extreme situations helping to considerably increase safety margins.

The hinges are subjected to different types of tests as envisaged by the harmonized standard UNI EN 1935/2004 and by standard 14648/2008:

- Test for resistance to wear.
- Test for loading and overloading.
- Test for resistance to extraction (of the pin from the support to which it has been fixed).
- Test for resistance to torsion.
- Test for resistance to bending.
- Test for resistance to mishandling such as breaking down the door (British Standard Institute, PAS 23/1,1999) and RAL tests.

A number of digital and analogue measuring instruments assembled on the I.U.S and connected to computerized data capturing devices, measure in real time the following significant values during the tests: deformation, movements, load capacity variations, number of cycles.

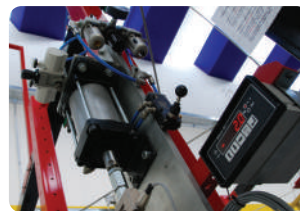
Constant visual and acoustic checks are also carried out to detect any anomalies not registered by the instruments, for example such as powder due to mechanical wear or creaking. The I.U.S. can test windows or doors up to 250x150 cm and weighing more than 250 Kg.

### EC Certificates and Performance Declarations

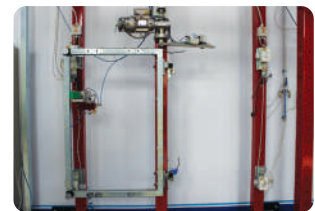
Tests on the hinges are also carried out at external bodies able to certify that the company manufactures according to rigid, systematically monitored production plans and that the products pass the tests envisaged by the standard UNI EN 1935:2004 they are thereby able to issue, if needed, the EC certificate or certify the data provided by OTLAV in the "performance declarations".



View of the OTLAV test laboratories I.U.S. (Intensive Use Simulator)



Test for resistance to extraction



Test for resistance to wear



Test for resistance to water and wind (in external laboratories)



Test for resistance to wear (detail)



Test for resistance to fire (in external laboratories)



Test for resistance to wear, OTLAV I.U.S.



# OTLAV TESTS

## Hinge carrying capacity

More than 65 years of technical experience in door and window hinges is a remarkable achievement, but the day-to-day challenge is the constant search for new findings demonstrating improvements in performance, safety and appearance.

Resistance, carrying capacity and reliability contained in a harmonious design, even if concealed, are the achievements reached and maintained over time by all the OTLAV models.

The hinge, initially comprised of a body and a threaded pin welded together to form the male and female parts, has been improved over time through different models with plates, pins and screws leading to **highly sophisticated models adjustable on 3 axes**.

Now thanks to constant research and checks over manufacturing, **we have developed hinges which can support more than the maximum capacity indicated by the Standard UNI EN 1935:2002**:

- 200,000 cycles (opening and closing);
- door mass of 160 kg;
- overload stress for safety levels up to 480 Kg on door systems.

When a hinge offers enormous potential, the choice of the model and number of hinges used must be evaluated considering other factors which improve conditions of use in addition to the indications in the Standard UNI EN 1935:2002 which suggests a minimum of 3 hinges for each door based on its mass.

The dimensions of the door/window, material used, thickness and anchorage points subject to requirements are all exclusive choices of our customers based on their experience. The performance levels declared by OTLAV provide good information to identify the hinges based on both the conditions of use and of the location of the door/window (public or private places, schools or offices, hotels or homes etc.) and the levels of care during use.

**The load capacity of the hinges is declared by OTLAV on the basis of the tests necessary to obtain CE certification (UNI EN 1935: 2002 standard for single-axis hinges, European Assessment Document EAD-020001-01-0405 for multi-axis hinges), if Otlav declares more than 160 Kg (the maximum required by law), the declaration is made on the basis of the durability test of 200,000 cycles.**

### **i** NOTE

The weight of the door/window which can be supported by a hinge depends on many factors:

1. dimensions of the shutter;
2. number of hinges;
3. positioning of the hinges;
4. type and quality of material used for the door/window;
5. accuracy, precision and experience when mounting the door/window to ensure the hinges are perfectly aligned;
6. distance of the male part from the frame must not be more than 6 mm;
7. thickness of the door/window material at the anchorage point.

Our technicians are available for support and any clarification required.

### LOAD CAPACITY TABLE

#### Hinges for doors up to 80 kg

Door height mm	600	800	900	1000	1050	1100	1150	1200	1250	1300
2700	4	4	4	5	5	5	5	5	3	3
2400	4	4	4	5	5	5	5	5	3	3
2300	3	3	4	4	5	5	5	3	3	3
2200	3	3	3	4	4	4	3	3	3	3
2100	3	3	3	3	4	3	3	3	3	3
2000	3	3	3	3	3	3	3	3	3	3
1900	3	3	3	3	3	3	3	3	3	3
1800	3	3	3	3	3	3	3	3	3	3
1200	3	3	3	3	Ctd	Ctd	Ctd	Ctd	Ctd	Ctd
800	3	3	3	3	Ctd	Ctd	Ctd	Ctd	Ctd	Ctd

- X** Suggested number of hinges
- 3** Switch to a hinge of one higher class, use 3 hinges.
- 3** Switch to a hinge of two higher class, use 3 hinges.
- Ctd** Non-standard door sizes, please contact the technical department

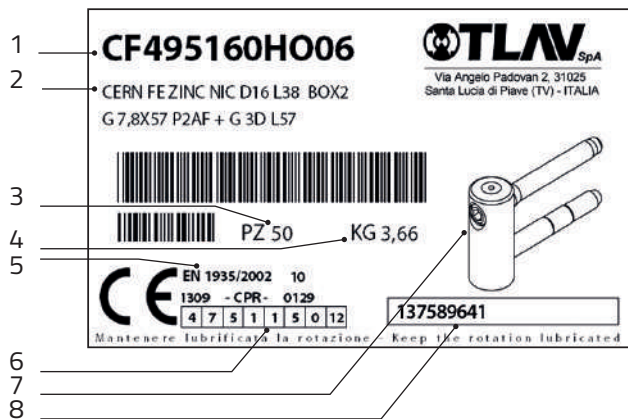
Tables showing the number of hinges to use depending on the hinge model, the width and height of the door/window, can be accessed in our website: [www.otlav.com](http://www.otlav.com)

### **i** DOORS OF CONSIDERABLE WIDTH

The UNI EN 1935 norm – appendix D – states that **doors and windows of considerable width increase the bending moment acting on the hinges, and therefore the hinges should be compensated by a reduction in the maximum mass of the supported leaf**. In other words, if the door has a particularly wide leaf, the hinge must have a load capacity greater than the actual weight of the door. For example, in the case of a door measuring 145 cm in width by 215 cm in height and weighing 130 kg, according to the European regulations it is necessary to use a hinge with a load capacity of 200 kg. For more information, please refer to the UNI EN 1935 norm.

# OTLAV TESTS

## How to read the labels



### Example of a label placed on a box of Otlav products.

- 1) Product code.
- 2) Product description.
- 3) Number of pieces contained in the box.
- 4) Weight of box.
- 5) References to standards, accredited institution and EC certificate number.

### 6) 8-digit coding system on performance.

- 7) Concise drawing of the product.
- 8) Manufacturing batch.

To aid understanding of the performance requirements shown in the labels on OTLAV products, as per Standard UNI EN 1935:2002, we have provided below a summary of the evaluation criteria shown in the 8-digit coding system (see point 6 of the label above):

4	7	5	1	1	5	0	12
digit 1	digit 2	digit 3	digit 4	digit 5	digit 6	digit 7	digit 8

### Digit 1 – Category of use.

- *Grade 1 - light use:* hinges used on doors or windows in homes or in other residential areas and in buildings where there is a low frequency of use by people highly incentivized to take care and with a low probability of accidents or incorrect use.
- *Grade 2 - medium use:* hinges used on doors in homes or in other residential areas and other buildings where there is an average frequency of use by people fairly incentivized to take care and with a slight probability of accidents or incorrect use.
- *Grade 3 - heavy use:* hinges used on doors in buildings where there is a high frequency of use by the public or by other people with little incentive to take care and with a high probability of accidents or incorrect use.
- *Grade 4 - severe use* (digit 8: grades 12, 13 and 14): hinges used on doors subjected to frequent and violent use.

### Testing methods.

The tests to evaluate the required performance levels have been carried out on two hinges fixed to rigid testing equipment or a single hinge subjected to vertical load testing.

### Digit 2 - Durability.

- Grade 3 = 10,000 cycles
- Grade 4 = 25,000 cycles
- Grade 7 = 200,000 cycles

The hinged item is rotated, simulating opening and closing of the door by 90 degrees for the number of cycles required by the grade being tested. Via this test, it is verified that by the end of the test, the wear of the hinge does not damage the functionality of the hinge.

At the end of the test, the vertical and horizontal deviations of the door must remain within the required limits.

### Digit 3 - Door mass.

It's the weight of the door on which the hinge to be tested is mounted.

- Grade 0: 10 kg
- Grade 1: 20 kg
- Grade 2: 40 kg
- Grade 3: 60 kg
- Grade 4: 80 kg
- Grade 5: 100 kg
- Grade 6: 120 kg
- Grade 7: 160 kg

### Digit 4 - Suitability for use on fire rated or smoke rated doors.

- Grade 0: no.
- Grade 1: yes.

The door is tested to determine if the material is able to endure fire (see Appendix B of Standard EN 1935:2002 for the additional requirements).

### Digit 5 - Safety.

- Grade 1: the hinge satisfies the essential requirements of safety in use.

**Load deformation test:** a load equal to the door mass is applied: the deformations recorded during and after the load must remain within certain specified limits and there must be no change in the functional performance. Incorrect use of a door over a short time period is reproduced via this test.

**Overload test:** a load twice the door mass being tested is applied: the hinges and the door must not present any deformation or breakage and the door must not drop even if the hinge no longer works. An exceptionally negative event is reproduced via this test.

**Shear load test:** this test is carried out separately on a three pins hinge (not mounted on a door). The central part of the hinge (bushing) is loaded with a predetermined weight as per a table. This test is made to verify that the central pin does not sustain any deformations which can damage the functionality of the hinge.

### Digit 6 - Corrosion resistance.

The level of corrosion resistance is defined via a salt spray test according to Standard ISO 9227 and evaluated according to Standard EN 1670. The Salt Spray test is carried out on samples corroded by a saline solution in a special test cabinet. The time necessary for the onset of oxidation establishes the grade of resistance from 0 to 5.

See following pages.

### Digit 7 - Resistance to burglary.

- Grade 0: No.
- Grade 1: Yes. Hinges are suitable for use on doors requiring a degree of security.

### Digit 8 - Hinge grade.

Overall rating for the hinge (in ascending order from 1 to 14).

## OTLAV TESTS

### Resistance of finishing

Formation of rust on steel is a natural and inevitable chemical phenomenon which occurs regardless of the location and the conditions. The longer the start is delayed, the more the functionality and appearance of the door/window is guaranteed. The propensity of steel to corrode can be reduced by adopting measures to protect it, based on external coatings or finishing which tend to isolate it from aggressive atmospheric conditions. Correct use of a hinge must therefore take into account the location in which it will be used and resistance of the finishing to rusting. When using hinges in a protected environment or in mild and stable environmental conditions it is possible to choose from a wide range of finishing. When using hinges in an aggressive environment we recommend choosing from those with corrosion resistant finishing used together with OTLAV caps.

**At Myrtus, the galvanic treatment company of OTLAV Group, all the finishes are subjected to a specific resistance test.**

The salt spray test, carried out according to the UNI regulations detailed below, is an accelerated corrosion test which enables the resistance to corrosion of a material or a coating to be evaluated qualitatively. The sample to be examined is placed inside a test chamber at a constant temperature, humidity and pressure: inside the chamber a saline solution is atomized which then attacks the protective coating of the hinge. At predetermined intervals the samples are observed and any changes are registered up until the appearance of traces of oxidation or spots of red rust.

There is no direct relation between the resistance to salt spray and the life of hinges exposed to atmospheric agents in different environments, therefore this test must be considered as a comparative or indicative method of relative quality (not an absolute figure).



OTLAV is also environmental friendly oriented having the **"Infinitely Recyclable" certification (Myrtus was the first company in Italy to obtain the certification)**, which acknowledges metal products which can be smelted and recreated an infinite number of times, without giving rise to waste products or other harmful elements for the ecosystem.

#### Salt spray chamber:

Angelantoni ACS mod. DCTC600

#### Test carried out according to regulations:

UNI-ISO 9227 type NSS SS DIN 50021 ASTM B 117 SIS 184190 NFX 41-002

#### Salt concentration:

5% +/- 0,5%

#### Collected volume:

1,5 cc hour - Mass 1033 Kg/m<sup>3</sup> - pH 6,9

#### Chamber temperature:

35 °C +/- 1 °C

#### Pressure:

1,5 bar

Samples are arranged in a radial pattern on the test specimen holder



Salt spray chamber: Angelantoni ACS mod. DCTC600.

### **i** NOTE!

**Especially hostile areas and agents and inappropriate conduct can accelerate the decline of steel even if treated:**

- 1) salts or acids and other oxidizing agents present in the air and especially concentrated in marine areas, in livestock shelters and in urban areas are aggressive factors;
- 2) the same degree of corrosion can be found in rooms or work sites poorly ventilated, in which chemical treatments such as painting or finishing of floors have been carried out;
- 3) high humidity and repeated temperature changes typical of rooms or places not lived in are a certain cause of the onset of oxidation;
- 4) incorrect storage, handling without care or cleaning of the product with corrosive or abrasive products can damage the aesthetic and structural integrity of the product even before mounting it.

# FINISHING

Finishing Description CLASS\*

**NOTE** The resistance grade of a finish does not necessarily determine the resistance grade of the hinge, as it may consist of parts with different finishes. To know the resistance grade of a hinge, it is necessary to refer to the product's DOP (Declaration of Performance).

## Finishing on steel and zamak

<b>8H</b>	Super Zinc Plated	3	<b>HN</b>	Black Zinc Plated	2	<b>PI</b>	White (RAL 9016)	4
<b>9F</b>	Grey (9F)	4	<b>HO</b>	Zinc Nickel 7µ High resistance to corrosion	5	<b>PK</b>	Bronze	4
<b>9N</b>	Matt Black	4	<b>IM</b>	Matt Stainless Steel High resistance to corrosion	5	<b>PU</b>	Clay Brown (RAL 8003)	4
<b>9P</b>	Matt White (RAL 9010)	4	<b>K1</b>	Polished Gold	2	<b>RØ</b>	Burnished	0
<b>B1</b>	Special Bronze Plated	1	<b>NØ</b>	Nickel Plated	1	<b>T1</b>	Satinized Chrome Plated	3
<b>BN</b>	Bronze Plated	1	<b>N1</b>	Static Nickel Plated	1	<b>VØ</b>	Polished Gold	2
<b>BO</b>	Bronze Plated	1	<b>N4</b>	Matt Nickel Plated	1	<b>V7</b>	Satinized Silver	4
<b>GØ</b>	Natural Steel	0	<b>N7</b>	Satinized Nickel Plated	2	<b>VD</b>	Chrome Plated	3
<b>G2</b>	Varnished Phosphatized	1	<b>NN</b>	Nickel Plated	1	<b>VM</b>	Matt Gold	4
<b>HØ</b>	Zinc Plated	1	<b>OØ</b>	Brass Plated	1	<b>VN</b>	Satinized Nickel Plated	4
<b>H2</b>	Black Varnished Zinc Plated	3	<b>P2</b>	Black	4	<b>VO</b>	Polished Gold	2
<b>H5</b>	Black Engraved Zinc Plated	2	<b>P3</b>	White (RAL 9010)	4	<b>VS</b>	Brushed Bronze	2
<b>H8</b>	Zinc Plated 12µ	1	<b>P9</b>	Grey (RAL 7035)	4			

## Plastified finishing

<b>9F</b>	Grey (9F)	4	<b>P2</b>	Black	4	<b>PU</b>	Clay Brown (RAL 8003)	4
<b>9N</b>	Matt Black	4	<b>P3</b>	White (RAL 9010)	4	<b>V7</b>	Satinized Silver	4
<b>90</b>	Bronze Plated Aluminium	4	<b>P9</b>	Grey (RAL 7035)	4	<b>VN</b>	Satinized Nickel Plated	4
<b>9P</b>	Matt White (RAL 9016)	4	<b>PI</b>	White (RAL 9016)	4			
<b>9W</b>	Black Brown Aluminium (RAL 8022)	4	<b>PK</b>	Bronze	4			

\* Resistance class

The destined use indicated in the table refers to the grade of resistance to corrosion in salt spray (NSS type) as envisaged by standard UNI EN 1670 2007 (sixth figure according to UNI EN 1935).

Resistance class	Description	Life
0	Resistance to corrosion not defined.	<24h
1	Low resistance to corrosion, use in internal dry environments (i.e. internal doors to living areas).	24h
2	Moderate resistance to corrosion, use in internal areas that may have humidity (i.e. internal doors in basements or bathrooms).	48h
3	High resistance to corrosion, use in external protected areas (i.e. protected main external doors).	96h
4	Very high resistance to corrosion, use in external areas (i.e. unprotected main external doors).	240h
5	Exceptional resistance to corrosion, use in external areas with corrosive environmental conditions (i.e. external doors/windows in maritime areas or livestock shelters).	>480h

## Finishing on aluminium

<b>9F</b>	Grey (9F)	5	<b>J2</b>	Satinized Nickel Plated Aluminium	5	<b>P3</b>	White (RAL 9010)	5
<b>9N</b>	Matt Black	5	<b>J7</b>	Satinized Silver Aluminium	5	<b>PI</b>	White (RAL 9016)	5
<b>90</b>	Bronze Plated Aluminium	5	<b>JA</b>	Blue Satinized Nickel Aluminium	5	<b>PU</b>	Clay Brown (RAL 8003)	5
<b>9P</b>	Matt White (RAL 9016)	5	<b>JC</b>	Satinized Nickel Plated Aluminium	5	<b>VM</b>	Matt Gold	4
<b>9R</b>	Bronze Plated Aluminium	5	<b>JO</b>	Polished Gold Aluminium	5	<b>VS</b>	Brushed Bronze	4
<b>9W</b>	Black Brown Aluminium (RAL 8022)	5	<b>JT</b>	Satinized Nickel Aluminium	5			
<b>J1</b>	Satinized Silver Aluminium	5	<b>JZ</b>	Bronze Aluminium	5			

## Finishing on nylon

<b>4F</b>	Grey (9F)	4	<b>V8</b>	Polished Gold Nylon	4	<b>Y8</b>	Dark Brown Nylon	5
<b>4M</b>	Matt Gold Nylon	4	<b>VO</b>	Polished Gold	4	<b>YA</b>	Polished Gold Nylon	4
<b>4N</b>	Matt Black	4	<b>VZ</b>	Bronze Nylon	4	<b>YC</b>	Matt Nickel Plated Nylon	4
<b>4R</b>	Bronze Plated Nylon	4	<b>Y2</b>	Black Nylon	5	<b>YD</b>	Brown Nylon	5
<b>71</b>	Matt Silver Nylon	5	<b>Y3</b>	White Nylon (RAL 9010)	5	<b>YS</b>	Matt Chrome Plated Nylon	4
<b>72</b>	Matt Nickel Nylon	5	<b>Y5</b>	Blue White Nylon	5			
<b>8P</b>	Matt White Nylon (RAL 9016)	5	<b>Y6</b>	White Nylon (RAL 9016)	5			

## Finishing on brass

<b>BN</b>	Bronze Plated	1	<b>H3</b>	Black Engraved Zinc Plated	1	<b>PG</b>	Old Silver	4
<b>GØ</b>	Natural Brass	0	<b>L1</b>	Polished Varnished	2			

### Definition

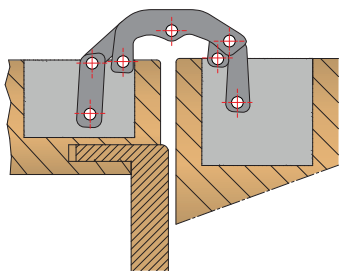
## DIN right and DIN left

A hinge is **DIN right** when pulling the door, it is placed on the right side and **DIN left** when pulling the door it is placed on the left side of the door.



# INVISACTA

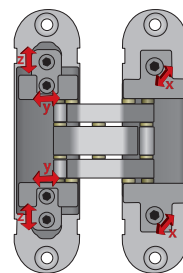
## HINGES FOR FLUSH DOOR



### 7 JUNCTION FULCRUMS

**No sliding wear**

7 fulcrum points allow little friction, good flow, solidity and high loading capacity; no contact between the different bearing units thanks to nylon bushes with high friction resistance.

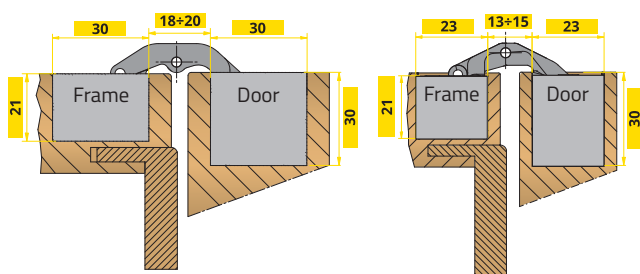


### 3 ADJUSTMENTS

**With only one hex spanner**

The clamping screws, placed in the outer casings, are not used for hinge adjustment, therefore they remain stable for a long time.

IN570, IN310, IN303, IN300, IN305, IN230 and IN235 models



### MINIMAL DIMENSIONS

**Slot on frame side: 21 mm**

A 21 mm depth slot on the frame side makes it unique and enables its perfect integration in reduced spaces. No need to cut the architrave which can be flush mounted.

IN303, IN300, IN305, IN301, IN230 and IN235 models



### REVERSIBILITY

**Invisacta hinges are all reversible**

Mounted in the centre of the door thickness\*, Invisacta allows the door reversibility, optimizing both stock and installation logistics.

\* IN570, IN303, IN300 and IN305 models

## COMPATIBILITY

**Same milling, different hinges.**

#### IN230

Doors up to 60 kg



#### IN232

Doors up to 30 kg



#### IN235

Doors up to 40 kg



#### IE236

Doors up to 40 kg



#### AI230

Door alignment device



Milling 23x120 mm

#### IN303

Doors up to 80 kg



#### IN300

Doors up to 60 kg



#### IN305

Doors up to 40 kg



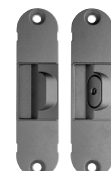
#### CI335

Doors up to 40 kg



#### AI300

Door alignment device



Milling 30x120 mm

# INVISACTA

HINGES FOR FLUSH DOORS

INVISACTA

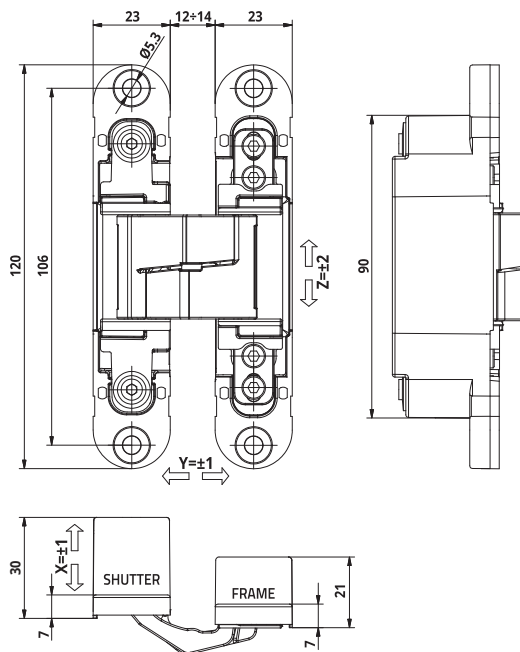



# IE 236

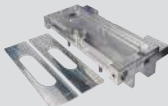




3D adjustable concealed hinge - capacity 40 kg



Satinized Silver



CODE	FINISHING	WEIGHT	Pcs / Box	PRICE PCS.
 <b>IE236120V703</b> Hinge with nylon caps included	Satinized Silver	260 gr	42 1 x 42 (Box x pcs. each)	€ 15,15

ACCESSORIES	 <b>Aluminium jig</b> Page 40	 <b>Nylon jig</b> Page 41	 <b>Plate and shims</b> Page 43	 <b>Wedge</b> Page 44	 <b>Cap for hole</b> Page 44
-------------	--	--	--	--	--

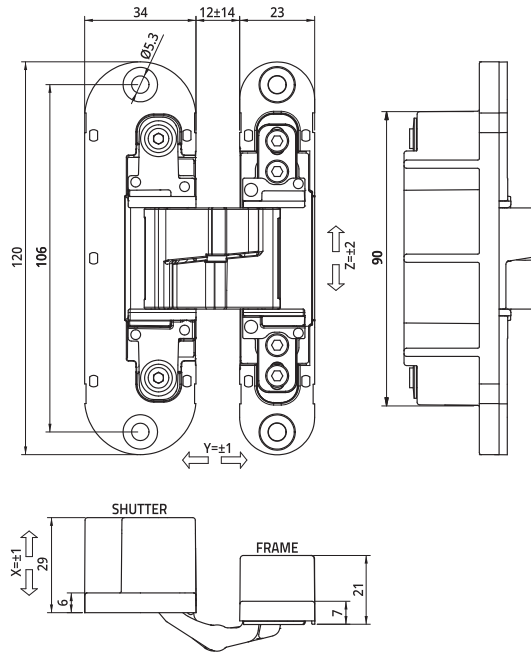
Short link



www.otlav.it - IE 236



Satinized Silver



CODE	FINISHING	WEIGHT	Pcs / Box	PRICE PCS.
 <b>IE244120V703</b> Hinge with nylon caps included	Satinized Silver	260 gr	32 1 x 32 (Box x pcs. each)	€ 16,67

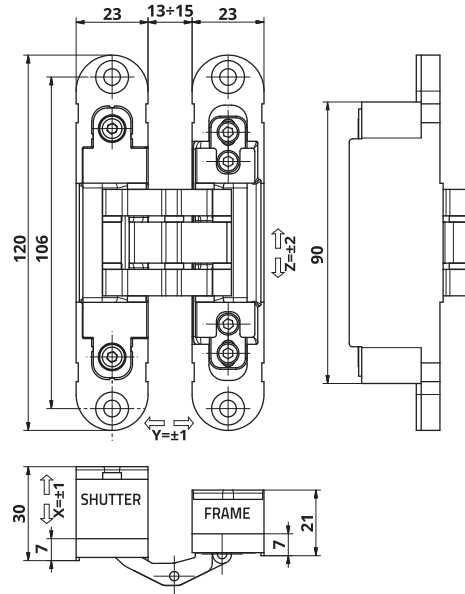










# INVISACTA IN230



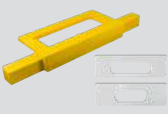




3D adjustable concealed hinge - capacity 60 kg



Satinized Silver



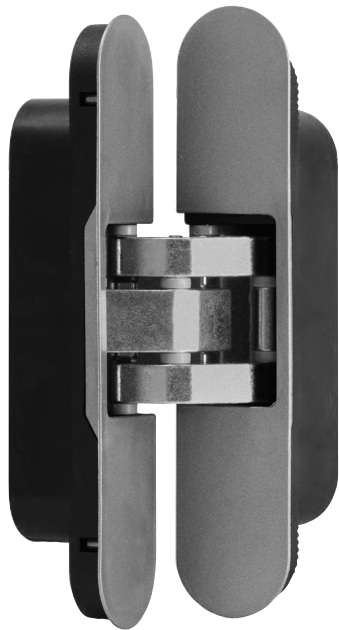
CODE	DOP	FINISHING	WEIGHT	Pcs / Box	PRICE PCS.								
 <b>IN2301209N02</b> Hinge	<table border="1"><tr><td>2</td><td>7</td><td>3</td><td>1</td><td>1</td><td>4</td><td>0</td><td>10</td></tr></table>	2	7	3	1	1	4	0	10	Matt Black	425 gr	18 3 x 6 (Box x pcs. each)	€ 32,55
2	7	3	1	1	4	0	10						
 <b>GC2300109N22</b> Aluminium caps 4 pieces kit		Matt Black	4,92 gr	144 kit 8 x 18 (Box x kit each)	€ 2,608								
 <b>GC230P10Y222</b> Nylon caps 4 pieces kit - <b>EASY CLIP</b>		Matt Black	4 gr	144 kit 8 x 18 (Box x kit each)	€ 0,808								
 <b>IN2301209P02</b> Hinge	<table border="1"><tr><td>2</td><td>7</td><td>3</td><td>1</td><td>1</td><td>4</td><td>0</td><td>10</td></tr></table>	2	7	3	1	1	4	0	10	Matt White (RAL 9016)	425 gr	18 3 x 6 (Box x pcs. each)	€ 31,80
2	7	3	1	1	4	0	10						
 <b>GC2300109P22</b> Aluminium caps 4 pieces kit		Matt White (RAL 9016)	4,92 gr	144 kit 8 x 18 (Box x kit each)	€ 1,024								
 <b>GC230P10Y622</b> Nylon caps 4 pieces kit - <b>EASY CLIP</b>		Matt White (RAL 9016)	4 gr	144 kit 8 x 18 (Box x kit each)	€ 0,808								
 <b>IN230120B002</b> Hinge	<table border="1"><tr><td>2</td><td>7</td><td>3</td><td>1</td><td>1</td><td>1</td><td>0</td><td>10</td></tr></table>	2	7	3	1	1	1	0	10	Bronze Plated	425 gr	18 3 x 6 (Box x pcs. each)	€ 31,80
2	7	3	1	1	1	0	10						
 <b>GC2300109O22</b> Aluminium caps 4 pieces kit		Bronze Plated	4,92 gr	144 kit 8 x 18 (Box x kit each)	€ 3,40								
 <b>GC230P104R24</b> Varnished nylon caps 4 pieces kit - <b>EASY CLIP</b>		Bronze Plated	4 gr	144 kit 8 x 18 (Box x kit each)	On request								

ACCESSORIES	 <b>Door alignment device</b> Page 34	 <b>Aluminium jig</b> Page 40	 <b>Nylon jig</b> Page 41	 <b>Plate and shims</b> Page 43	 <b>Wedge</b> Page 44	 <b>Cap for hole</b> Page 44	<p>Short link</p>  <p>www.otlav.it - IN230</p>
-------------	--	--	--	--	---	---	---

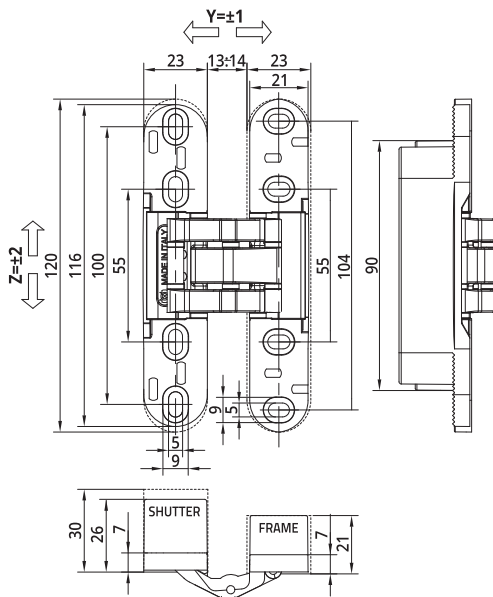
CODE	DOP	FINISHING	WEIGHT	Pcs / Box	PRICE PCS.
 <b>IN230120H004</b> Hinge	<b>2 7 3 1 1 1 0 10</b>	Zinc Plated	425 gr	18 3 x 6 (Box x pcs. each)	€ 29,70
 <b>GC230010J122</b> Aluminium caps 4 pieces kit		Satinized Silver	4,92 gr	144 kit 8 x 18 (Box x kit each)	€ 1,024
 <b>GC230P107122</b> Nylon caps 4 pieces kit - <b>EASY CLIP</b>		Matt Silver	4 gr	144 kit 8 x 18 (Box x kit each)	€ 0,808
 <b>GC230PS07102</b> Overlapped nylon caps 4 pieces kit - <b>EASY CLIP</b>		Matt Silver	4 gr	144 kit 8 x 18 (Box x kit each)	€ 0,544
 <b>IN230120V702</b> Hinge	<b>2 7 3 1 1 4 0 10</b>	Satinized Silver	425 gr	18 3 x 6 (Box x pcs. each)	€ 31,80
 <b>GC230010J122</b> Aluminium caps 4 pieces kit		Satinized Silver	4,92 gr	144 kit 8 x 18 (Box x kit each)	€ 1,024
 <b>GC230P107122</b> Nylon caps 4 pieces kit - <b>EASY CLIP</b>		Matt Silver	4 gr	144 kit 8 x 18 (Box x kit each)	€ 0,808
 <b>GC230PS07102</b> Overlapped nylon caps 4 pieces kit - <b>EASY CLIP</b>		Matt Silver	4 gr	144 kit 8 x 18 (Box x kit each)	€ 0,544
 <b>IN230120VM02</b> Hinge	<b>2 7 3 1 1 4 0 10</b>	Matt Gold	425 gr	18 3 x 6 (Box x pcs. each)	€ 36,90
 <b>GC230010VM22</b> Aluminium caps 4 pieces kit		Matt Gold	4,92 gr	144 kit 8 x 18 (Box x kit each)	€ 1,852
 <b>GC230P104M24</b> Varnished nylon caps 4 pieces kit - <b>EASY CLIP</b>		Matt Gold	4 gr	144 kit 8 x 18 (Box x kit each)	On request
 <b>IN230120VN02</b> Hinge	<b>2 7 3 1 1 4 0 10</b>	Satinized Nickel Plated	425 gr	18 3 x 6 (Box x pcs. each)	€ 31,80
 <b>GC230010J222</b> Aluminium caps 4 pieces kit		Satinized Nickel Plated	4,92 gr	144 kit 8 x 18 (Box x kit each)	€ 1,024
 <b>GC230P107222</b> Nylon caps 4 pieces kit - <b>EASY CLIP</b>		Matt Nickel	4 gr	144 kit 8 x 18 (Box x kit each)	€ 0,808
 <b>IN230120V002</b> Hinge	<b>2 7 3 1 1 2 0 10</b>	Polished Gold	425 gr	18 3 x 6 (Box x pcs. each)	€ 46,80
 <b>GC230010J025</b> Aluminium caps 4 pieces kit		Polished Gold	4,92 gr	144 kit 8 x 18 (Box x kit each)	€ 1,364
 <b>GC230P10V024</b> Varnished nylon caps 4 pieces kit - <b>EASY CLIP</b>		Polished Gold	4 gr	144 kit 8 x 18 (Box x kit each)	On request
 <b>IN230120VS02</b> Hinge	<b>2 7 3 1 1 2 0 10</b>	Brushed Bronze	425 gr	18 3 x 6 (Box x pcs. each)	€ 39,20
 <b>GC230010VS22</b> Aluminium caps 4 pieces kit		Brushed Bronze	4,92 gr	144 kit 8 x 18 (Box x kit each)	€ 21,12

# INVISACTA IN232

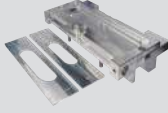




2D adjustable concealed hinge - capacity 30 kg



Zinc Plated



CODE	FINISHING	WEIGHT	Pcs / Box	PRICE PCS.
 <b>IN232120HO</b> Hinge with nylon caps included	Zinc Plated	186 gr	42 1 x 42 (Box x pcs. each)	€ 11,79

<b>ACCESSORIES</b>	 <b>Aluminium jig</b> Page 40	 <b>Nylon jig</b> Page 41	 <b>Plate and shims</b> Page 43	 <b>Wedge</b> Page 44	 <b>Cap for hole</b> Page 44
--------------------	--	--	--	--	--

Short link



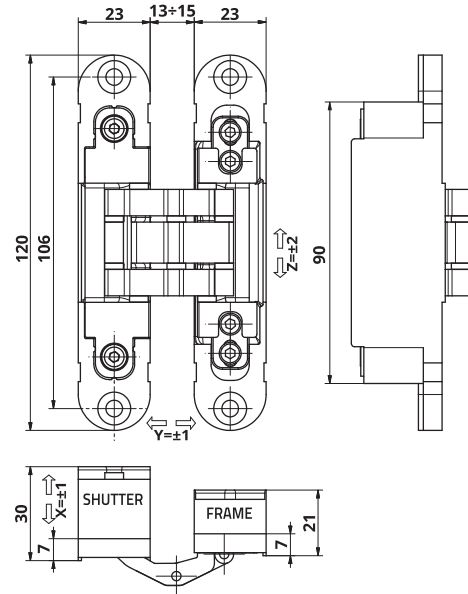
www.otlav.it - IN232

# INVISACTA IN235


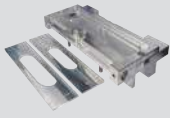
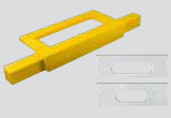




3D adjustable concealed hinge - capacity 40 kg



Satinized Silver



CODE	DOP	FINISHING	WEIGHT	Pcs / BOX	PRICE PCS.
 <b>IN2351209N07</b> Hinge with aluminium caps included	2   7   2   0   1   4   0   7	Matt Black	295 gr	42 1 x 42 (Box x pcs. each)	€ 23,20
 <b>IN2351209P17</b> Hinge with aluminium caps included	2   7   2   0   1   4   0   7	Matt White (RAL 9016)	299 gr	42 1 x 42 (Box x pcs. each)	€ 23,20
 <b>IN235120H008</b> Hinge with aluminium caps included	2   7   2   0   1   1   0   7	Zinc Plated	295 gr	42 1 x 42 (Box x pcs. each)	€ 22,20
 <b>IN235120V003</b> Hinge with aluminium caps included	2   7   2   0   1   2   0   7	Polished Gold	295 gr	42 1 x 42 (Box x pcs. each)	€ 23,90
 <b>IN235120V708</b> Hinge with aluminium caps included	2   7   2   0   1   4   0   7	Satinized Silver	295 gr	42 1 x 42 (Box x pcs. each)	€ 23,00
 <b>IN235120VN08</b> Hinge with aluminium caps included	2   7   2   0   1   4   0   7	Satinized Nickel Plated	295 gr	42 1 x 42 (Box x pcs. each)	€ 23,00

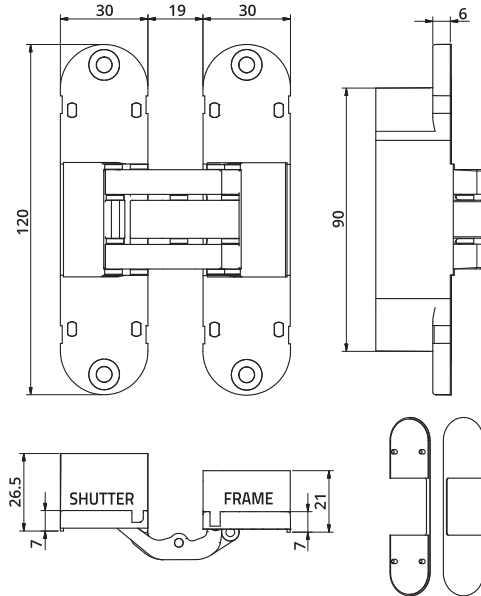
ACCESSORIES	 <b>Door alignment device</b> Page 34	 <b>Aluminium jig</b> Page 40	 <b>Nylon jig</b> Page 41	 <b>Plate and shims</b> Page 43	 <b>Wedge</b> Page 44	 <b>Cap for hole</b> Page 44	Short link  www.otlav.it - IN235
-------------	--	--	--	--	---	---	---

# INVISACTA IN299

Concealed hinge - capacity 40 kg



Satinized Silver



CODE	FINISHING	WEIGHT	Pcs / Box	PRICE PCS.
 <b>IN299120V705</b> Hinge with nylon caps included	Satinized Silver	225 gr	32 1 x 32 (Box x pcs. each)	€ 14,28

<b>ACCESSORIES</b>	 <b>Door alignment device</b> Page 34	 <b>Aluminium jig</b> Page 40	 <b>Nylon jig</b> Page 41	 <b>Plate and shims</b> Page 42	 <b>Wedge</b> Page 44
--------------------	--	--	--	--	---

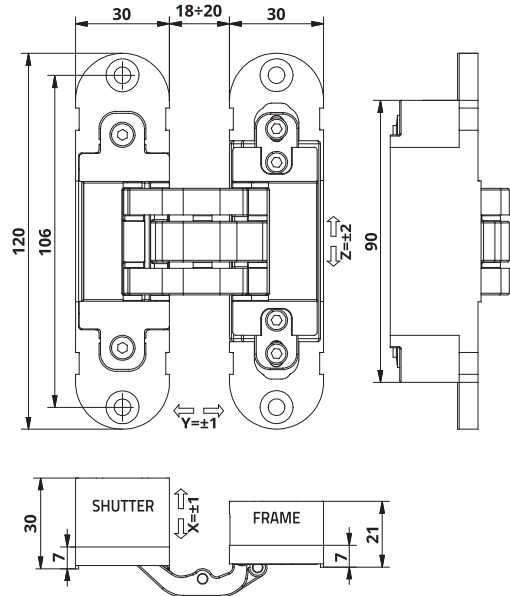
Short link








www.otlav.it - IN299



Satinized Silver



CODE	DOP	FINISHING	WEIGHT	Pcs / Box	PRICE PCS.								
 <b>IN3001209N02</b> Hinge	<table border="1"><tr><td>2</td><td>7</td><td>3</td><td>1</td><td>1</td><td>4</td><td>0</td><td>10</td></tr></table>	2	7	3	1	1	4	0	10	Matt Black	600 gr	18 3 x 6 (Box x pcs. each)	€ 33,50
2	7	3	1	1	4	0	10						
 <b>GC3000109N22</b> Aluminium caps 4 pieces kit		Matt Black	6,4 gr	144 kit 8 x 18 (Box x kit each)	€ 2,764								
 <b>GC300P10Y222</b> Nylon caps 4 pieces kit - <b>EASY CLIP</b>		Matt Black	4 gr	144 kit 8 x 18 (Box x kit each)	€ 0,832								
 <b>IN3001209P02</b> Hinge	<table border="1"><tr><td>2</td><td>7</td><td>3</td><td>1</td><td>1</td><td>4</td><td>0</td><td>10</td></tr></table>	2	7	3	1	1	4	0	10	Matt White (RAL 9016)	600 gr	18 3 x 6 (Box x pcs. each)	€ 31,50
2	7	3	1	1	4	0	10						
 <b>GC3000109P22</b> Aluminium caps 4 pieces kit		Matt White (RAL 9016)	6,4 gr	144 kit 8 x 18 (Box x kit each)	€ 1,112								
 <b>GC300P10Y622</b> Nylon caps 4 pieces kit - <b>EASY CLIP</b>		Matt White (RAL 9016)	4 gr	144 kit 8 x 18 (Box x kit each)	€ 0,832								
 <b>IN300120B002</b> Hinge	<table border="1"><tr><td>2</td><td>7</td><td>3</td><td>1</td><td>1</td><td>1</td><td>0</td><td>10</td></tr></table>	2	7	3	1	1	1	0	10	Bronze Plated	600 gr	18 3 x 6 (Box x pcs. each)	€ 31,50
2	7	3	1	1	1	0	10						
 <b>GC3000109R22</b> Aluminium caps 4 pieces kit		Bronze Plated	6,4 gr	144 kit 8 x 18 (Box x kit each)	€ 1,112								
 <b>GC300P104R24</b> Varnished nylon caps 4 pieces kit - <b>EASY CLIP</b>		Bronze Plated	4 gr	144 kit 8 x 18 (Box x kit each)	On request								

**FOLLOW** →


















ACCESSORIES	 <b>Door alignment device</b> Page 34	 <b>Aluminium jig</b> Page 40	 <b>Nylon jig</b> Page 41	 <b>Plate and shims</b> Page 42	 <b>Wedge</b> Page 44
-------------	--	--	--	--	---

Short link



www.otlav.it - IN300

# INVISACTA IN300

CODE	DOP	FINISHING	WEIGHT	Pcs / Box	PRICE PCS.								
 <b>IN300120H004</b> Hinge	<table border="1"><tr><td>2</td><td>7</td><td>3</td><td>1</td><td>1</td><td>1</td><td>0</td><td>10</td></tr></table>	2	7	3	1	1	1	0	10	Zinc Plated	600 gr	18 3 x 6 (Box x pcs. each)	€ 29,40
2	7	3	1	1	1	0	10						
 <b>GC300010J122</b> Aluminium caps 4 pieces kit		Satinized Silver	6,4 gr	144 kit 8 x 18 (Box x kit each)	€ 1,112								
 <b>GC300P107122</b> Nylon caps 4 pieces kit - <b>EASY CLIP</b>		Matt Silver	4 gr	144 kit 8 x 18 (Box x kit each)	€ 0,832								
 <b>IN300120V702</b> Hinge	<table border="1"><tr><td>2</td><td>7</td><td>3</td><td>1</td><td>1</td><td>4</td><td>0</td><td>10</td></tr></table>	2	7	3	1	1	4	0	10	Satinized Silver	600 gr	18 3 x 6 (Box x pcs. each)	€ 31,50
2	7	3	1	1	4	0	10						
 <b>GC300010J122</b> Aluminium caps 4 pieces kit		Satinized Silver	6,4 gr	144 kit 8 x 18 (Box x kit each)	€ 1,112								
 <b>GC300P107122</b> Nylon caps 4 pieces kit - <b>EASY CLIP</b>		Matt Silver	4 gr	144 kit 8 x 18 (Box x kit each)	€ 0,832								
 <b>IN300120VM02</b> Hinge	<table border="1"><tr><td>2</td><td>7</td><td>3</td><td>1</td><td>1</td><td>4</td><td>0</td><td>10</td></tr></table>	2	7	3	1	1	4	0	10	Matt Gold	600 gr	18 3 x 6 (Box x pcs. each)	€ 37,80
2	7	3	1	1	4	0	10						
 <b>GC300010VM22</b> Aluminium caps 4 pieces kit		Matt Gold	6,4 gr	144 kit 8 x 18 (Box x kit each)	€ 2,32								
 <b>GC300P104M24</b> Varnished nylon caps 4 pieces kit - <b>EASY CLIP</b>		Matt Gold	4 gr	144 kit 8 x 18 (Box x kit each)	On request								
 <b>IN300120VN02</b> Hinge	<table border="1"><tr><td>2</td><td>7</td><td>3</td><td>1</td><td>1</td><td>4</td><td>0</td><td>10</td></tr></table>	2	7	3	1	1	4	0	10	Satinized Nickel Plated	600 gr	18 3 x 6 (Box x pcs. each)	€ 31,50
2	7	3	1	1	4	0	10						
 <b>GC300010J225</b> Aluminium caps 4 pieces kit		Satinized Nickel Plated	6,4 gr	144 kit 8 x 18 (Box x kit each)	€ 1,112								
 <b>GC300P107222</b> Nylon caps 4 pieces kit - <b>EASY CLIP</b>		Matt Nickel	4 gr	144 kit 8 x 18 (Box x kit each)	€ 0,832								
 <b>IN300120VO02</b> Hinge	<table border="1"><tr><td>2</td><td>7</td><td>3</td><td>1</td><td>1</td><td>2</td><td>0</td><td>10</td></tr></table>	2	7	3	1	1	2	0	10	Polished Gold	600 gr	18 3 x 6 (Box x pcs. each)	€ 46,30
2	7	3	1	1	2	0	10						
 <b>GC300010JO25</b> Aluminium caps 4 pieces kit		Polished Gold	6,4 gr	144 kit 8 x 18 (Box x kit each)	€ 1,364								
 <b>GC300P10VO24</b> Varnished nylon caps 4 pieces kit - <b>EASY CLIP</b>		Polished Gold	4 gr	144 kit 8 x 18 (Box x kit each)	On request								
 <b>IN300120VS02</b> Hinge	<table border="1"><tr><td>2</td><td>7</td><td>3</td><td>1</td><td>1</td><td>2</td><td>0</td><td>10</td></tr></table>	2	7	3	1	1	2	0	10	Brushed Bronze	600 gr	18 3 x 6 (Box x pcs. each)	€ 41,65
2	7	3	1	1	2	0	10						
 <b>GC300010VS22</b> Aluminium caps 4 pieces kit		Brushed Bronze	6,4 gr	144 kit 8 x 18 (Box x kit each)	€ 21,12								

ACCESSORIES



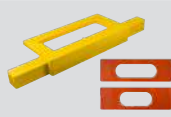
**Door alignment device**

Page 34



**Aluminium jig**

Page 40



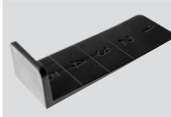
**Nylon jig**

Page 41



**Plate and shims**

Page 42



**Wedge**

Page 44

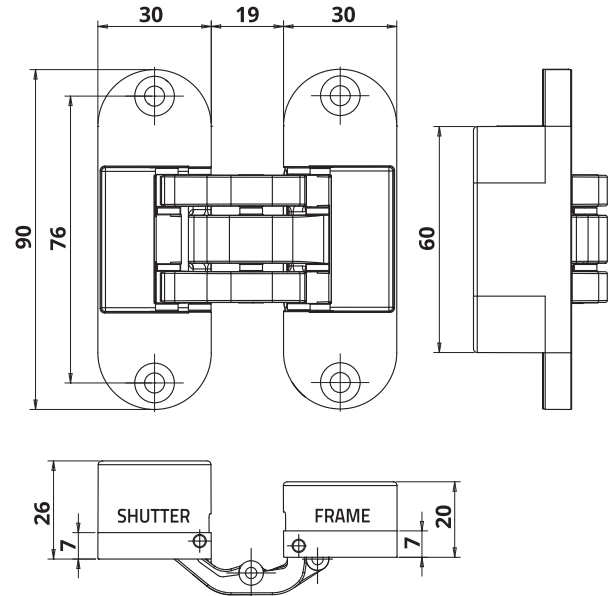
Short link



www.otlav.it - IN300

# INVISACTA IN301

Concealed hinge - capacity 40 kg



Satinized Silver

CODE	DOP	FINISHING	WEIGHT	Pcs / Box	PRICE PCS.
 IN301090V702	2 7 2 0 1 0 0 7	Satinized Silver	250 gr	54 3 x 18 (Box x pcs. each)	€ 18,70

Short link



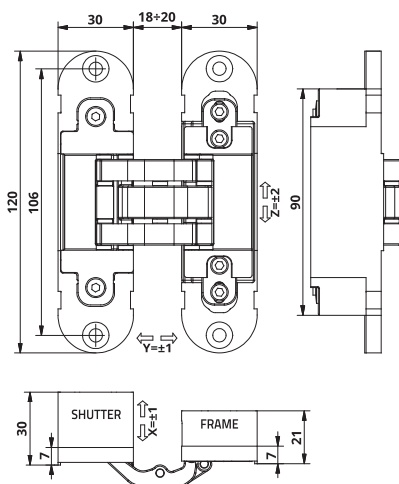
www.otlav.it - IN301





















# INVISACTA IN303

3D adjustable concealed hinge - capacity 80 kg



Satinized Silver



CODE	DOP	FINISHING	WEIGHT	Pcs / Box	PRICE PCS.								
 <b>IN3031209N02</b> Hinge	<table border="1"><tr><td>3</td><td>7</td><td>4</td><td>1</td><td>1</td><td>4</td><td>0</td><td>11</td></tr></table>	3	7	4	1	1	4	0	11	Matt Black	524 gr	18 3 x 6 (Box x pcs. each)	€ 44,80
3	7	4	1	1	4	0	11						
 <b>GC3000109N22</b> Aluminium caps - 4 pieces kit		Matt Black	6,4 gr	144 kit 8 x 18 (Box x kit each)	€ 2,764								
 <b>GC300P10Y222</b> Nylon caps - 4 pieces kit - EASY CLIP		Matt Black	4 gr	144 kit 8 x 18 (Box x kit each)	€ 0,832								
 <b>IN3031209P02</b> Hinge	<table border="1"><tr><td>3</td><td>7</td><td>4</td><td>1</td><td>1</td><td>4</td><td>0</td><td>11</td></tr></table>	3	7	4	1	1	4	0	11	Matt White (RAL 9016)	524 gr	18 3 x 6 (Box x pcs. each)	€ 44,80
3	7	4	1	1	4	0	11						
 <b>GC3000109P22</b> Aluminium caps - 4 pieces kit		Matt White (RAL 9016)	6,4 gr	144 kit 8 x 18 (Box x kit each)	€ 1,112								
 <b>GC300P10Y622</b> Nylon caps - 4 pieces kit - EASY CLIP		Matt White (RAL 9016)	4 gr	144 kit 8 x 18 (Box x kit each)	€ 0,832								
 <b>IN303120V702</b> Hinge	<table border="1"><tr><td>3</td><td>7</td><td>4</td><td>1</td><td>1</td><td>4</td><td>0</td><td>11</td></tr></table>	3	7	4	1	1	4	0	11	Satinized Silver	524 gr	18 3 x 6 (Box x pcs. each)	€ 42,50
3	7	4	1	1	4	0	11						
 <b>GC300010J122</b> Aluminium caps - 4 pieces kit		Satinized Silver	6,4 gr	144 kit 8 x 18 (Box x kit each)	€ 1,112								
 <b>GC300P107122</b> Nylon caps - 4 pieces kit - EASY CLIP		Matt Silver	4 gr	144 kit 8 x 18 (Box x kit each)	€ 0,832								
 <b>IN303120VM02</b> Hinge	<table border="1"><tr><td>3</td><td>7</td><td>4</td><td>1</td><td>1</td><td>4</td><td>0</td><td>11</td></tr></table>	3	7	4	1	1	4	0	11	Matt Gold	524 gr	18 3 x 6 (Box x pcs. each)	€ 47,50
3	7	4	1	1	4	0	11						
 <b>GC300010VM22</b> Aluminium caps - 4 pieces kit		Matt Gold	6,4 gr	144 kit 8 x 18 (Box x kit each)	€ 2,32								
 <b>GC300P104M24</b> Nylon caps - 4 pieces kit - EASY CLIP		Matt Gold	4 gr	144 kit 8 x 18 (Box x kit each)	On request								
 <b>IN303120VN02</b> Hinge	<table border="1"><tr><td>3</td><td>7</td><td>4</td><td>1</td><td>1</td><td>4</td><td>0</td><td>11</td></tr></table>	3	7	4	1	1	4	0	11	Satinized Nickel Plated	524 gr	18 3 x 6 (Box x pcs. each)	€ 42,50
3	7	4	1	1	4	0	11						
 <b>GC300010J225</b> Aluminium caps - 4 pieces kit		Satinized Nickel Plated	6,4 gr	144 kit 8 x 18 (Box x kit each)	€ 1,112								
 <b>GC300P107222</b> Nylon caps - 4 pieces kit - EASY CLIP		Matt Nickel	4 gr	144 kit 8 x 18 (Box x kit each)	€ 0,832								
 <b>IN303120V002</b> Hinge	<table border="1"><tr><td>3</td><td>7</td><td>4</td><td>1</td><td>1</td><td>2</td><td>0</td><td>11</td></tr></table>	3	7	4	1	1	2	0	11	Polished Gold	524 gr	18 3 x 6 (Box x pcs. each)	€ 69,85
3	7	4	1	1	2	0	11						
 <b>GC300010J025</b> Aluminium caps - 4 pieces kit		Polished Gold	6,4 gr	144 kit 8 x 18 (Box x kit each)	€ 1,364								
 <b>GC300P10V024</b> Nylon caps - 4 pieces kit - EASY CLIP		Polished Gold	4 gr	144 kit 8 x 18 (Box x kit each)	On request								
 <b>IN303120VS02</b> Hinge	<table border="1"><tr><td>3</td><td>7</td><td>4</td><td>1</td><td>1</td><td>2</td><td>0</td><td>11</td></tr></table>	3	7	4	1	1	2	0	11	Brushed Bronze	524 gr	18 3 x 6 (Box x pcs. each)	€ 51,52
3	7	4	1	1	2	0	11						
 <b>GC300010VS22</b> Aluminium caps - 4 pieces kit		Brushed Bronze	6,4 gr	144 kit 8 x 18 (Box x kit each)	€ 21,12								

UL marked models available on request

<b>ACCESSORIES</b>	 <b>Door alignment device</b> Page 34	 <b>Aluminium jig</b> Page 40	 <b>Nylon jig</b> Page 41	 <b>Plate and shims</b> Page 42	 <b>Wedge</b> Page 44
--------------------	--	--	--	--	---

Short link



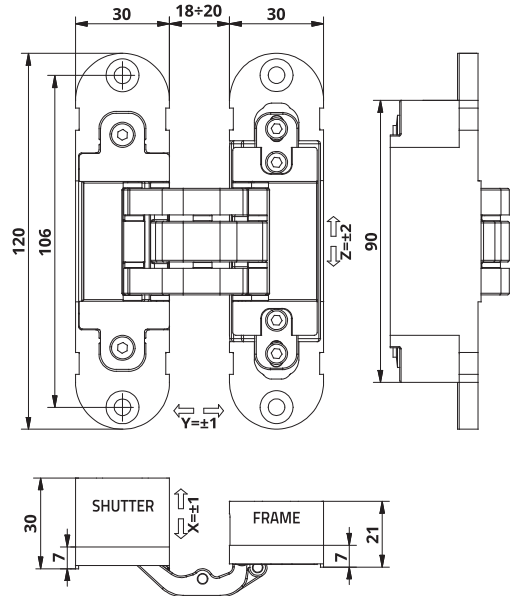
www.otlav.it - IN303

# INVISACTA IN305

3D adjustable concealed hinge - capacity 40 kg



Satinized Silver



CODE	DOP	FINISHING	WEIGHT	Pcs / Box	PRICE PCS.
 <b>IN3051209N04</b> Hinge with aluminium caps included	2   7   2   0   1   4   0   7	Matt Black	372 gr	32 1 x 32 (Box x pcs. each)	On request
 <b>IN3051209P04</b> Hinge with aluminium caps included	2   7   2   0   1   4   0   7	Matt White (RAL 9016)	372 gr	32 1 x 32 (Box x pcs. each)	€ 28,90
 <b>IN305120H003</b> Hinge with nylon caps included	2   7   2   0   1   0   0   7	Zinc Plated	372 gr	32 1 x 32 (Box x pcs. each)	€ 19,68
 <b>IN305120V705</b> Hinge with aluminium caps included	2   7   2   0   1   4   0   7	Satinized Silver	372 gr	32 1 x 32 (Box x pcs. each)	€ 28,00
 <b>IN305120VN04</b> Hinge with aluminium caps included	2   7   2   0   1   4   0   7	Satinized Nickel Plated	372 gr	32 1 x 32 (Box x pcs. each)	€ 28,00

<b>ACCESSORIES</b>	 <b>Door alignment device</b> Page 34	 <b>Aluminium jig</b> Page 40	 <b>Nylon jig</b> Page 41	 <b>Plate and shims</b> Page 42	 <b>Wedge</b> Page 44
--------------------	--	--	--	--	---

Short link



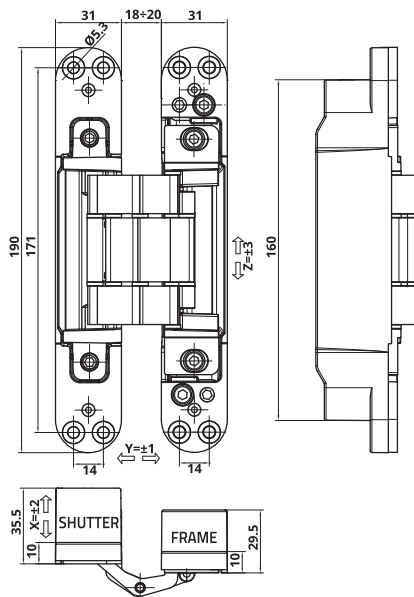
www.otlav.it - IN305

# INVISACTA IN310

3D adjustable concealed hinge - capacity 120 kg



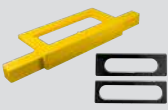


Satinized Silver



CODE	DOP	FINISHING	WEIGHT	Pcs / Box	PRICE PCS.								
 <b>IN3101909N03</b> Hinge with screws and caps included	<table border="1"><tr><td>4</td><td>7</td><td>6</td><td>1</td><td>1</td><td>4</td><td>1</td><td>13</td></tr></table>	4	7	6	1	1	4	1	13	Matt Black	1.430 gr	2 2 x 1 (Box x pcs. each)	€ 111,60
4	7	6	1	1	4	1	13						
 <b>IN3101909P03</b> Hinge with screws and caps included	<table border="1"><tr><td>4</td><td>7</td><td>6</td><td>1</td><td>1</td><td>4</td><td>1</td><td>13</td></tr></table>	4	7	6	1	1	4	1	13	Matt White (RAL 9016)	1.430 gr	2 2 x 1 (Box x pcs. each)	€ 111,60
4	7	6	1	1	4	1	13						
 <b>IN310190V703</b> Hinge with screws and caps included	<table border="1"><tr><td>4</td><td>7</td><td>6</td><td>1</td><td>1</td><td>4</td><td>1</td><td>13</td></tr></table>	4	7	6	1	1	4	1	13	Satinized Silver	1.430 gr	2 2 x 1 (Box x pcs. each)	€ 105,20
4	7	6	1	1	4	1	13						
 <b>IN310190VD03</b> Hinge with screws and caps included	<table border="1"><tr><td>4</td><td>7</td><td>6</td><td>1</td><td>1</td><td>4</td><td>1</td><td>13</td></tr></table>	4	7	6	1	1	4	1	13	Chrome Plated	1.430 gr	2 2 x 1 (Box x pcs. each)	€ 154,40
4	7	6	1	1	4	1	13						
 <b>IN310190VN03</b> Hinge with screws and caps included	<table border="1"><tr><td>4</td><td>7</td><td>6</td><td>1</td><td>1</td><td>4</td><td>1</td><td>13</td></tr></table>	4	7	6	1	1	4	1	13	Satinized Nickel Plated	1.430 gr	2 2 x 1 (Box x pcs. each)	€ 105,20
4	7	6	1	1	4	1	13						
 <b>IN310190V003</b> Hinge with screws and caps included	<table border="1"><tr><td>4</td><td>7</td><td>6</td><td>1</td><td>1</td><td>4</td><td>1</td><td>13</td></tr></table>	4	7	6	1	1	4	1	13	Polished Gold	1.430 gr	2 2 x 1 (Box x pcs. each)	€ 154,40
4	7	6	1	1	4	1	13						
 <b>IN310190VS03</b> Hinge with screws and caps included	<table border="1"><tr><td>4</td><td>7</td><td>6</td><td>1</td><td>1</td><td>4</td><td>1</td><td>13</td></tr></table>	4	7	6	1	1	4	1	13	Brushed Bronze	1.430 gr	2 2 x 1 (Box x pcs. each)	€ 158,90
4	7	6	1	1	4	1	13						

UL marked models available on request

ACCESSORIES	 <b>Fixing plate</b> Page 39	 <b>Aluminium jig</b> Page 40	 <b>Nylon jig</b> Page 41
-------------	---	--	--

Short link



www.otlav.it - IN310

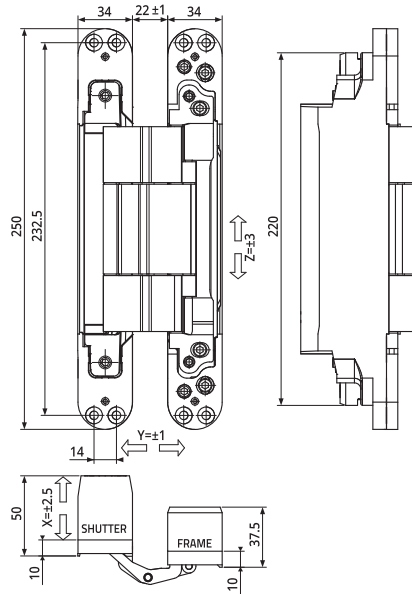





# INVISACTA IN343

3D adjustable concealed hinge - capacity 200 kg



Satinized Silver



CODE	DOP	FINISHING	WEIGHT	Pcs / Box	PRICE PCS.
 <b>IN3432509N03</b> Hinge with screws and caps included	4   7   7   1   1   4   1   14*	Matt Black	2.500 gr	2 2 x 1 (Box x pcs. each)	€ 152,00
 <b>IN343250V703</b> Hinge with screws and caps included	4   7   7   1   1   4   1   14*	Satinized Silver	2.500 gr	2 2 x 1 (Box x pcs. each)	€ 152,00
 <b>IN343250VN03</b> Hinge with screws and caps included	4   7   7   1   1   4   1   14*	Satinized Nickel Plated	2.500 gr	2 2 x 1 (Box x pcs. each)	€ 152,00

\*tested CE with 200 kg door

Short link



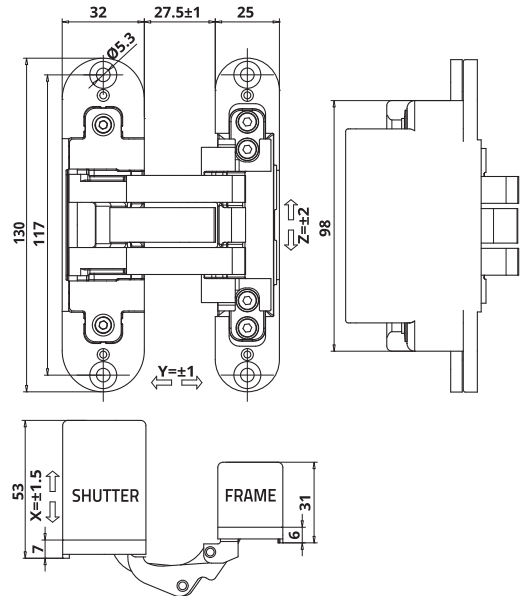
www.otlav.it - IN343





# INVISACTA IN570

3D offset adjustable concealed hinge - capacity 60 kg



Satinized Silver



CODE	DOP	FINISHING	WEIGHT	Pcs / Box	PRICE PCS.
 <b>IN5701309N03</b> Hinge with caps included	2   7   3   0   1   4   0   10	Matt Black	870 gr	12 12 x 1 (Box x pcs. each)	€ 69,00
 <b>IN570130V703</b> Hinge with caps included	2   7   3   0   1   4   0   10	Satinized Silver	870 gr	12 12 x 1 (Box x pcs. each)	€ 67,50
 <b>IN570130VM03</b> Hinge with caps included	2   7   3   0   1   4   0   10	Matt Gold	870 gr	12 12 x 1 (Box x pcs. each)	€ 71,40
 <b>IN570130VN03</b> Hinge with caps included	2   7   3   0   1   4   0   10	Satinized Nickel Plated	870 gr	12 12 x 1 (Box x pcs. each)	€ 67,50

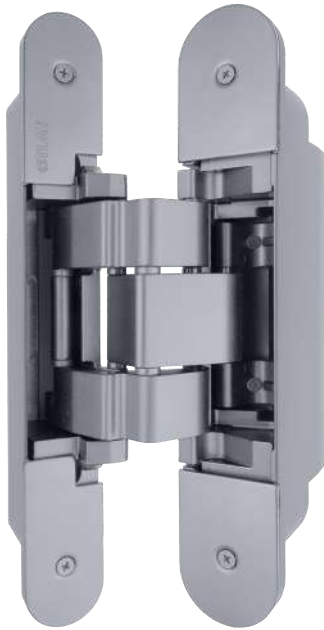
Short link



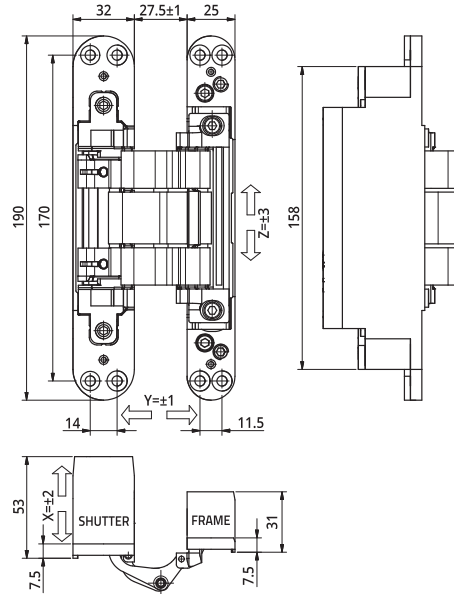
www.otlav.it - IN570




# INVISACTA IN573

3D offset adjustable concealed hinge - capacity 100 kg



Satinized Silver

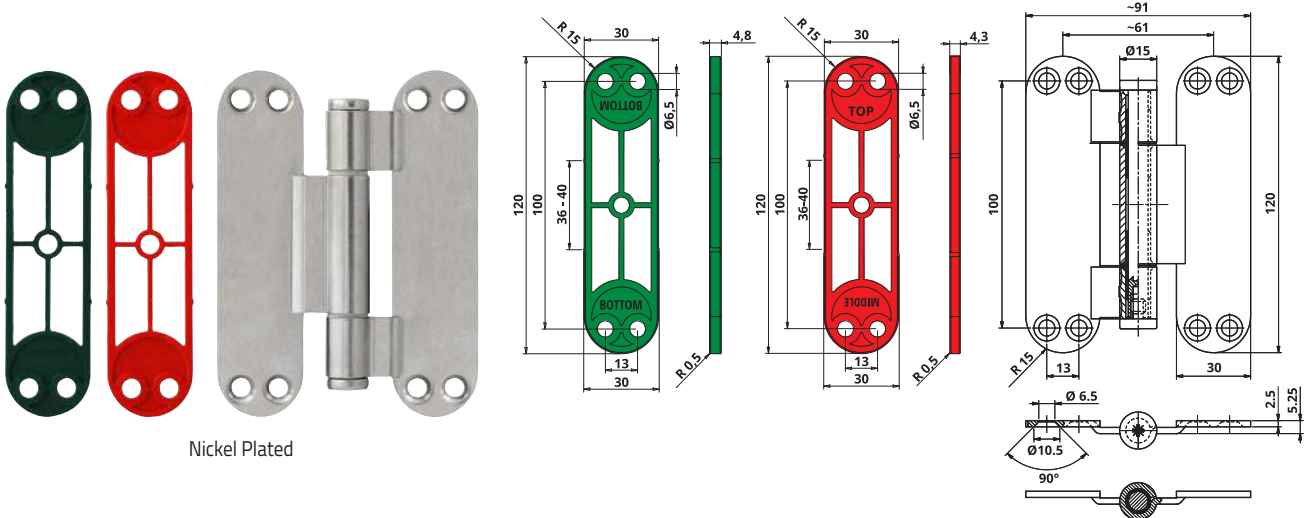


CODE	DOP	FINISHING	WEIGHT	Pcs / Box	PRICE PCS.
 <b>IN5731909N03</b> Hinge with caps included	2   7   3   0   1   4   0   12	Matt Black	1.450 gr	6 6 x 1 (Box x pcs. each)	On request
 <b>IN573190V703</b> Hinge with caps included	2   7   3   0   1   4   0   12	Satinized Silver	1.450 gr	6 6 x 1 (Box x pcs. each)	On request
 <b>IN573190VN03</b> Hinge with caps included	2   7   3   0   1   4   0   12	Satinized Nickel Plated	1.450 gr	6 6 x 1 (Box x pcs. each)	On request

Short link



www.otlav.it - IN573



Nickel Plated

CODE	FINISHING	WEIGHT	Pcs / Box	PRICE PCS.
 <b>CI335150N035</b> Hinge with plates consistent with IN300, IN303 and IN305 milling - Kit containing 3 hinges, 4 green spacers, 4 red spacers and 24 screws.	Nickel Plated	902,5 gr	16 4 x 4 (Box x kit each)	€ 31,70

ACCESSORIES	 <b>Aluminium jig</b> Page 40	 <b>Nylon jig</b> Page 41
-------------	--	--

Short link



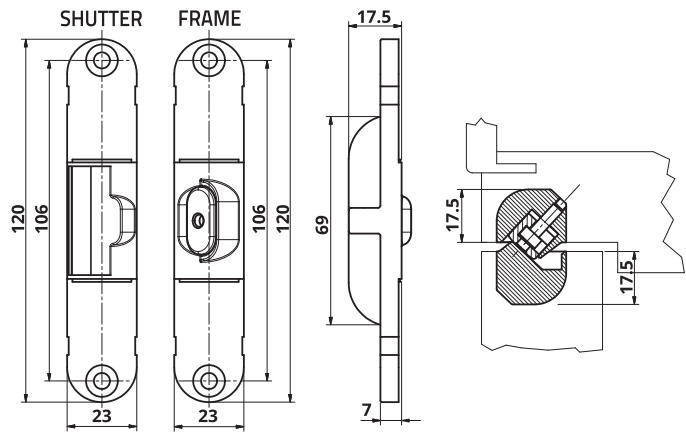
www.otlav.it - 335 Ø15



## AI 230

Door alignment device for IN230 and IN235



Satinized Silver



CODE	FINISHING	WEIGHT	Pcs / Box	PRICE PCS.
 <b>AI230120V702</b> Door alignment device	Satinized Silver	202 gr	72 8 x 9(Box x pcs. each)	€ 10,34
 <b>GC230010J122</b> Aluminium cap - 4 pieces kit	Satinized Silver	4,92 gr	144 kit 8 x 18(Box x kit each)	€ 1,024

Short link



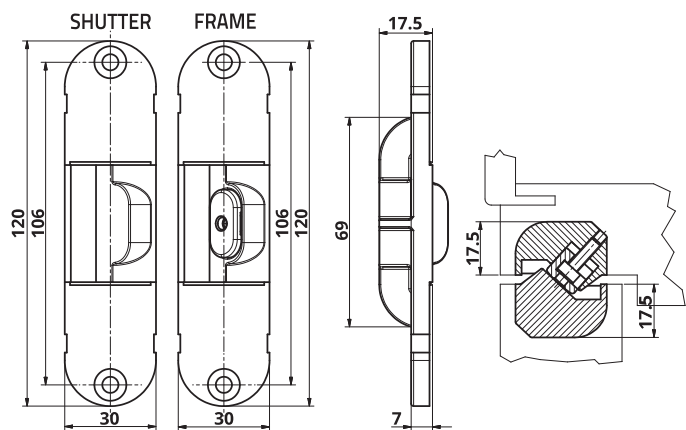
www.otlav.it - AI 230



## AI 300

Door alignment device for IN300, IN303 and IN305



Satinized Silver



CODE	FINISHING	WEIGHT	Pcs / Box	PRICE PCS.
 <b>AI300120V702</b> Door alignment device	Satinized Silver	234 gr	48 8 x 6(Box x pcs. each)	€ 10,34
 <b>GC300010J122</b> Aluminium cap - 4 pieces kit	Satinized Silver	6,4 gr	144 kit 8 x 18(Box x kit each)	€ 1,112

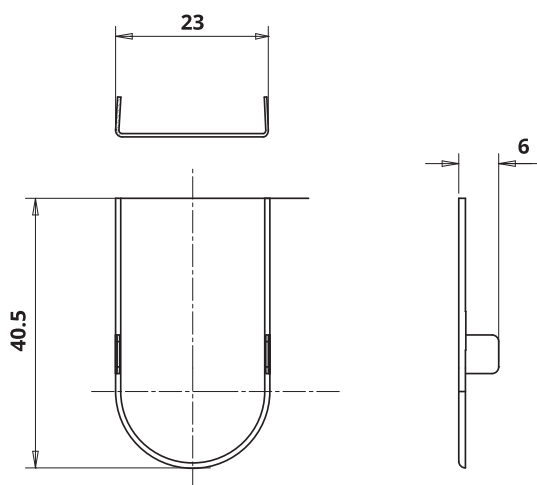
Short link



www.otlav.it - AI 300



Satinized Silver



CODE	FINISHING	WEIGHT	Pcs / Box	PRICE PCS.
 <b>GC2300109N22</b> Aluminium caps - 4 pieces kit	Matt Black	4,92 gr	144 kit 8 x 18 (Box x kit each)	€ 2,608
 <b>GC2300109O22</b> Aluminium caps - 4 pieces kit	Bronze Plated	4,92 gr	144 kit 8 x 18 (Box x kit each)	€ 3,40
 <b>GC2300109P22</b> Aluminium caps - 4 pieces kit	Matt White (RAL 9016)	4,92 gr	144 kit 8 x 18 (Box x kit each)	€ 1,024
 <b>GC230010J122</b> Aluminium caps - 4 pieces kit	Satinized Silver	4,92 gr	144 kit 8 x 18 (Box x kit each)	€ 1,024
 <b>GC230010J222</b> Aluminium caps - 4 pieces kit	Satinized Nickel Plated	4,92 gr	144 kit 8 x 18 (Box x kit each)	€ 1,024
 <b>GC230010JO25</b> Aluminium caps - 4 pieces kit	Polished Gold	4,92 gr	144 kit 8 x 18 (Box x kit each)	€ 1,364
 <b>GC230010VM22</b> Aluminium caps - 4 pieces kit	Matt Gold	4,92 gr	144 kit 8 x 18 (Box x kit each)	€ 1,852
 <b>GC230010VS22</b> Aluminium caps - 4 pieces kit	Brushed Bronze	4,92 gr	144 kit 8 x 18 (Box x kit each)	€ 21,12

Short link



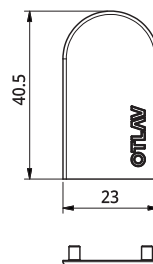
www.otlav.it - GC 230





## GC 230 EASY CLIP

EASY CLIP Nylon caps for INVISACTA IN230 and IN235



Matt Silver



CODE	FINISHING	WEIGHT	Pcs / Box	PRICE PCS.
 <b>GC230P107222</b> Nylon caps - 4 pieces kit	Matt Nickel	4 gr	144 kit 8 x 18(Box x kit each)	€ 0,808
 <b>GC230P104M24</b> Varnished nylon caps - 4 pieces kit	Matt Gold	4 gr	144 kit 8 x 18(Box x kit each)	On request
 <b>GC230P10Y222</b> Nylon caps - 4 pieces kit	Matt Black	4 gr	144 kit 8 x 18(Box x kit each)	€ 0,808
 <b>GC230P10Y622</b> Nylon caps - 4 pieces kit	Matt White (RAL 9016)	4 gr	144 kit 8 x 18(Box x kit each)	€ 0,808
 <b>GC230P104R24</b> Varnished nylon caps - 4 pieces kit	Bronze Plated	4 gr	144 kit 8 x 18(Box x kit each)	On request
 <b>GC230P107122</b> Nylon caps - 4 pieces kit	Matt Silver	4 gr	144 kit 8 x 18(Box x kit each)	€ 0,808
 <b>GC230P10V024</b> Varnished nylon caps - 4 pieces kit	Polished Gold	4 gr	144 kit 8 x 18(Box x kit each)	On request

Short link



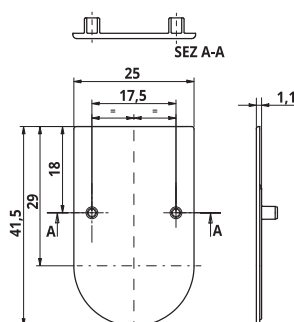
www.otlav.it - GC 230 EASY CLIP

## GC 230 EASY CLIP

Nylon caps EASY CLIP overlapped for INVISACTA IN230 and IN235



Matt Silver



CODE	FINISHING	WEIGHT	Pcs / Box	PRICE PCS.
 <b>GC230PS07102</b> Nylon caps - 4 pieces kit	Matt Silver	4 gr	144 kit 8 x 18(Box x kit each)	€ 0,544

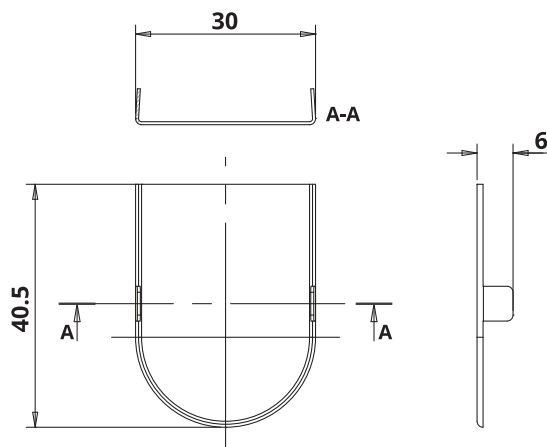
Short link



www.otlav.it - GC 230 EASY CLIP



Satinized Silver



CODE	FINISHING	WEIGHT	Pcs / Box	PRICE PCS.
 <b>GC3000109N22</b> Aluminium caps - 4 pieces kit	Matt Black	6,4 gr	144 kit 8 x 18 (Box x kit each)	€ 2,764
 <b>GC3000109P22</b> Aluminium caps - 4 pieces kit	Matt White (RAL 9016)	6,4 gr	144 kit 8 x 18 (Box x kit each)	€ 1,112
 <b>GC3000109R22</b> Aluminium caps - 4 pieces kit	Bronze Plated	6,4 gr	144 kit 8 x 18 (Box x kit each)	€ 1,112
 <b>GC300010J122</b> Aluminium caps - 4 pieces kit	Satinized Silver	6,4 gr	144 kit 8 x 18 (Box x kit each)	€ 1,112
 <b>GC300010J225</b> Aluminium caps - 4 pieces kit	Satinized Nickel Plated	6,4 gr	144 kit 8 x 18 (Box x kit each)	€ 1,112
 <b>GC300010JO25</b> Aluminium caps - 4 pieces kit	Polished Gold	6,4 gr	144 kit 8 x 18 (Box x kit each)	€ 1,364
 <b>GC300010VM22</b> Aluminium caps - 4 pieces kit	Matt Gold	6,4 gr	144 kit 8 x 18 (Box x kit each)	€ 2,32
 <b>GC300010VS22</b> Aluminium caps - 4 pieces kit	Brushed Bronze	6,4 gr	144 kit 8 x 18 (Box x kit each)	€ 21,12

Short link



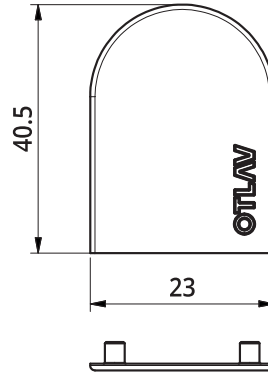
www.otlav.it - GC 300



## GC 300 EASY CLIP

EASY CLIP Nylon caps for INVISACTA IN300, IN303 and IN305



Matt Silver



CODE	FINISHING	WEIGHT	Pcs / Box	PRICE PCS.
 <b>GC300P107222</b> Nylon caps - 4 pieces kit	Matt Nickel	4 gr	144 kit 8 x 18 (Box x kit each)	€ 0,832
 <b>GC300P104M24</b> Varnished nylon caps - 4 pieces kit	Matt Gold	4 gr	144 kit 8 x 18 (Box x kit each)	On request
 <b>GC300P10Y222</b> Nylon caps - 4 pieces kit	Matt Black	4 gr	144 kit 8 x 18 (Box x kit each)	€ 0,832
 <b>GC300P10Y622</b> Nylon caps - 4 pieces kit	Matt White (RAL 9016)	4 gr	144 kit 8 x 18 (Box x kit each)	€ 0,832
 <b>GC300P104R24</b> Varnished nylon caps - 4 pieces kit	Bronze Plated	4 gr	144 kit 8 x 18 (Box x kit each)	On request
 <b>GC300P107122</b> Nylon caps - 4 pieces kit	Matt Silver	4 gr	144 kit 8 x 18 (Box x kit each)	€ 0,832
 <b>GC300P10V024</b> Varnished nylon caps - 4 pieces kit	Polished Gold	4 gr	144 kit 8 x 18 (Box x kit each)	On request

Short link

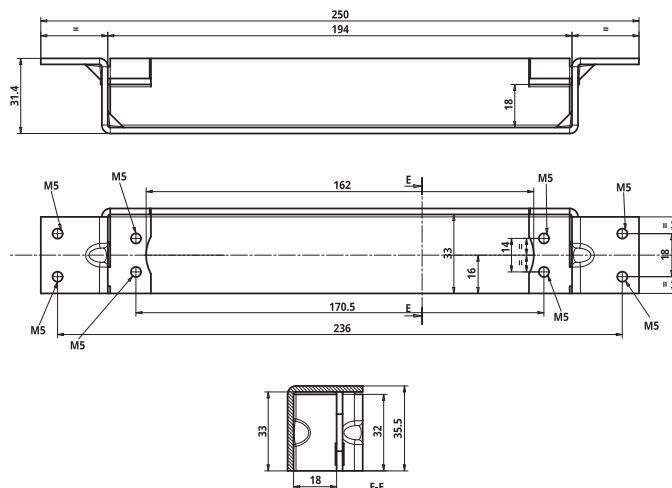



www.otlav.it - GC 300 EASY CLIP

Fixing plate for IN310 and IN311 for metal frames, to be welded or screwed



Zinc Plated



CODE	FINISHING	WEIGHT	Pcs / Box	PRICE PCS.
 <b>JC522310H004</b> Fixing plate	Zinc Plated	320 gr	24 1 x 24 (Box x pcs. each)	€ 12,46

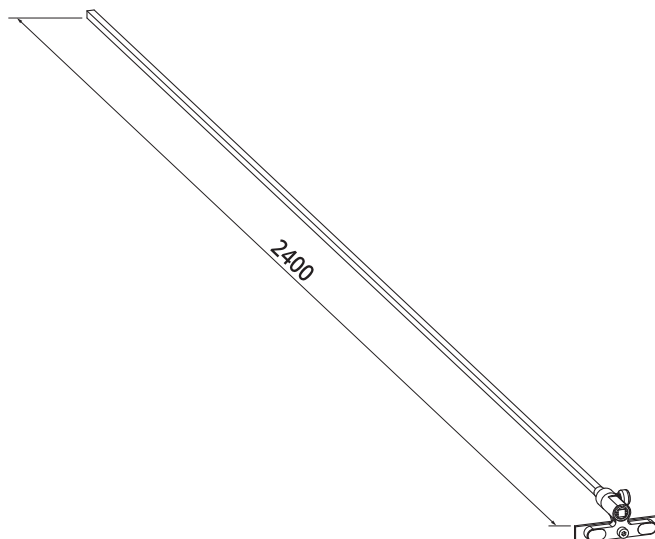
Short link



www.otlav.it - JC 522

MU 800

Graduated rod for MUINV AL jig



CODE	WEIGHT	Pcs / Box	PRICE PCS.
 <b>MU800300G002</b> Graduated rod	3.560 gr	1 (Tube)	€ 266,90

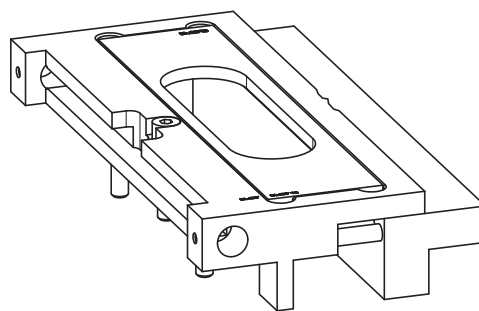
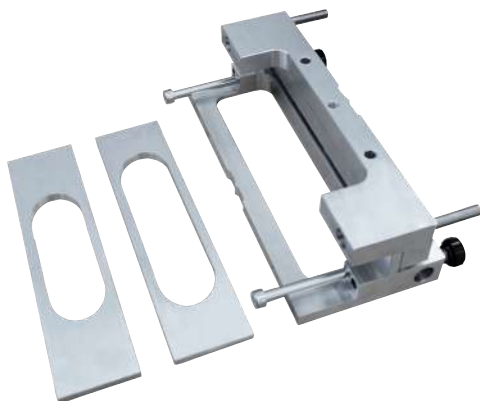
Short link



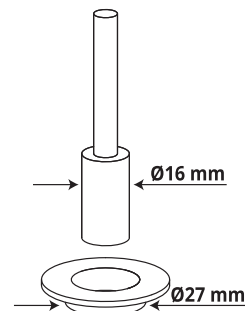
www.otlav.it - MU 800





## MU INV AL

Aluminium jig for INVISACTA hinges



End mill and router template guide not included

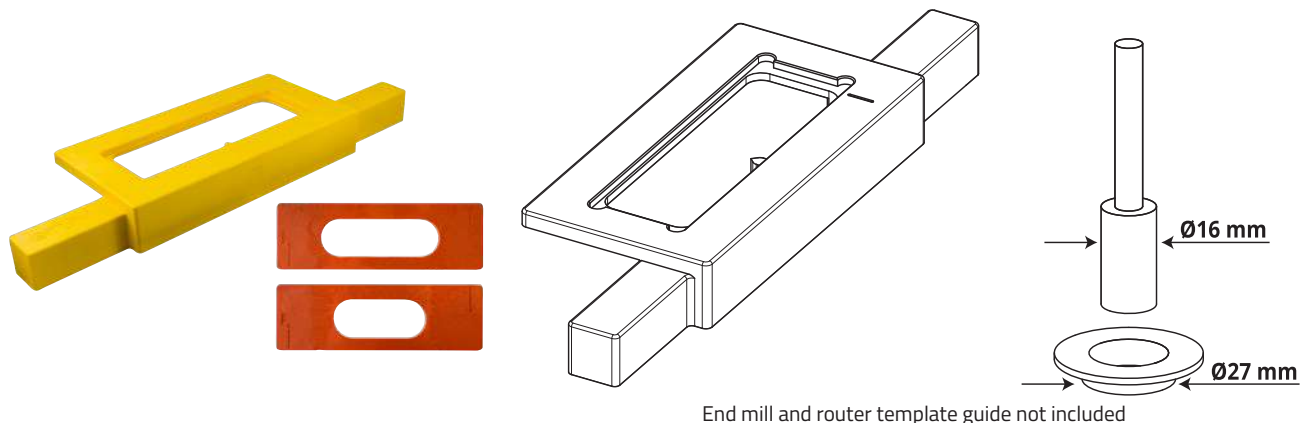






CODE	WEIGHT	Pcs / Box	PRICE PCS.
 <b>MUDIMINVG002</b> Aluminium holder for INVISACTA template guides	1.594 gr	1 1 x 1 (Unpacked)	€ 350,00
 <b>MUMAS230G002</b> Jig guides for IN230, IN232, IN235 and IE236 hinges	305 gr	1 1 x 1 (Unpacked)	€ 75,00
 <b>MUMAS300G002</b> Jig guides for IN300, IN305 and IN303 hinges	284 gr	1 1 x 1 (Unpacked)	€ 75,00
 <b>MUMAS310G002</b> Jig guides for IN310 and IN311 hinges	260 gr	1 1 x 1 (Unpacked)	€ 75,00

Short link



www.otlav.it - MU INV AL



CODE	WEIGHT	Pcs / Box	PRICE PCS.
 <b>MUBAS500G002</b> Nylon holder for INVISACTA template guides	697 gr	1 1 x 1 (Unpacked)	€ 30,00
 <b>MUMAS230W004</b> Jig and guides for IN230, IN232, IN235 and IE236 hinges	134 gr	1 1 x 1 (Unpacked)	€ 24,00
 <b>MUMAS300R004</b> Jig guides for IN300, IN303 and IN305 hinges	110 gr	1 1 x 1 (Unpacked)	€ 24,00
 <b>MUMAS310N004</b> Jig guides for IN310 and IN311 hinges	97 gr	1 1 x 1 (Unpacked)	€ 24,00

Short link



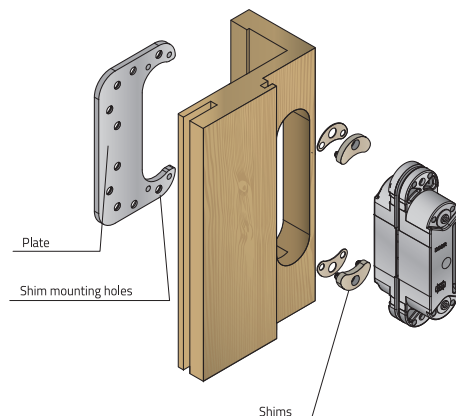
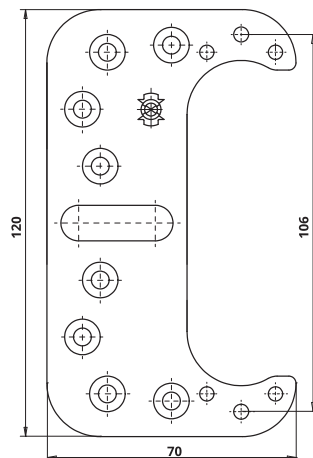
www.otlav.it - MU INV ABS

## NP 120

Plate and shims for IN300, IN303 and IN305



Zinc Plated 12 $\mu$



CODE	FINISHING	WEIGHT	Pcs / Box	PRICE PCS.
 <b>NP120040H502</b> Plate for IN300, IN303 and IN305	Zinc Plated 12 $\mu$	157 gr	144 8 x 18 (Box x pcs. each)	€ 3,30
 <b>PP027G10Z003</b> Shims kit for IN300, IN303 and IN305 - 12 pieces thickness 0,5 mm and 12 pieces thickness 1 mm	Nylon	7 gr	24 kit 8 x 3 (Box x kit each)	€ 2,326
 <b>PP027V20Z003</b> Shims kit for IN300, IN303 and IN305 - 12 pieces thickness 0,5 mm and 12 pieces thickness 2 mm	Nylon	10 gr	24 kit 8 x 3 (Box x kit each)	€ 2,373
 <b>PP027R30Z003</b> Shims kit for IN300, IN303 and IN305 - 12 pieces thickness 0,5 mm and 12 pieces thickness 3 mm	Nylon	13 gr	24 kit 8 x 3 (Box x kit each)	€ 2,411
 <b>PP027B40Z003</b> Shims kit for IN300, IN303 and IN305 - 12 pieces thickness 0,5 mm and 12 pieces thickness 4 mm	Nylon	20 gr	24 kit 8 x 3 (Box x kit each)	€ 2,45
 <b>PP027N50Z003</b> Shims kit for IN300, IN303 and IN305 - 12 pieces thickness 0,5 mm and 12 pieces thickness 5 mm	Nylon	23 gr	24 kit 8 x 3 (Box x kit each)	€ 4,212

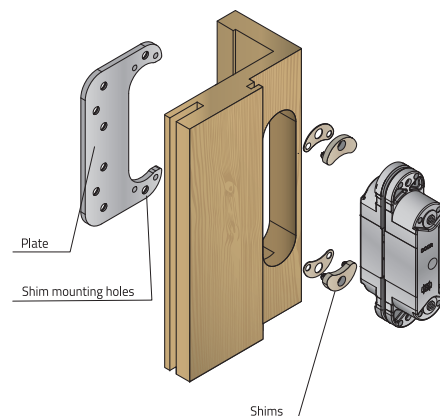
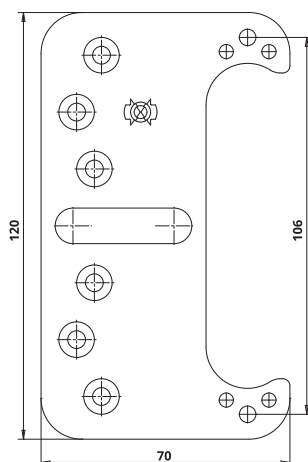
Short link



www.otlav.it - NP 120



Zinc Plated 12μ



CODE	FINISHING	WEIGHT	Pcs / Box	PRICE PCS.
 <b>NP120040H504</b> Plate for IN230, IN232 and IN235	Zinc Plated 12μ	173 gr	144 8 x 18 (Box x pcs. each)	€ 3,30
 <b>PP020G10Z003</b> Shims kit for IN230, IN232 and IN235 - 12 pieces thickness 0,5 mm and 12 pieces thickness 1 mm	Nylon	7 gr	24 kit 8 x 3 (Box x kit each)	€ 2,326
 <b>PP020V20Z003</b> Shims kit for IN230, IN232 and IN235 - 12 pieces thickness 0,5 mm and 12 pieces thickness 1 mm	Nylon	10 gr	24 kit 8 x 3 (Box x kit each)	€ 2,373
 <b>PP020R30Z003</b> Shims kit for IN230, IN232 and IN235 - 12 pieces thickness 0,5 mm and 12 pieces thickness 1 mm	Nylon	13 gr	24 kit 8 x 3 (Box x kit each)	€ 2,411
 <b>PP020B40Z003</b> Shims kit for IN230, IN232 and IN235 - 12 pieces thickness 0,5 mm and 12 pieces thickness 1 mm	Nylon	20 gr	24 kit 8 x 3 (Box x kit each)	€ 2,45
 <b>PP020N50Z003</b> Shims kit for IN230, IN232 and IN235 - 12 pieces thickness 0,5 mm and 12 pieces thickness 1 mm	Nylon	23 gr	24 kit 8 x 3 (Box x kit each)	€ 2,488

Short link



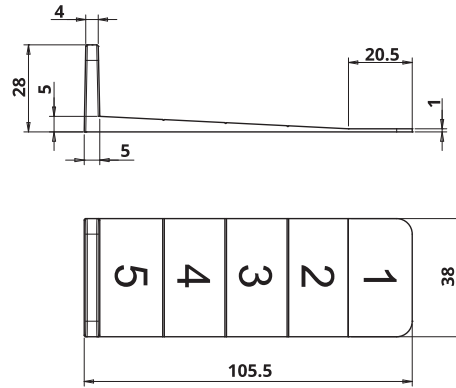
www.otlav.it - NP 120

## PP 105

Wedge with 5 spacers (1-2-3-4-5 mm)



Black Nylon



CODE	FINISHING	WEIGHT	Pcs / Box	PRICE PCS.
 <b>PP105050Y202</b> Wedge	Black Nylon	14 gr	1 (Unpacked)	€ 0,597

Short link



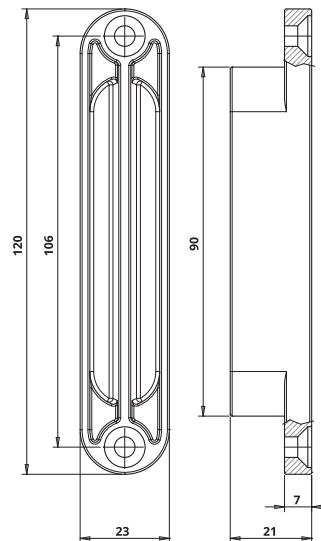
www.otlav.it - PP 105

## TP 230

Nylon cap for IN230, IN232 and IN235



Yellow



CODE	FINISHING	WEIGHT	Pcs / Box	PRICE PCS.
 <b>TP230120Z002</b> Cap for hole	Yellow Nylon	24 gr	90 1 x 90 (Unpacked)	€ 0,98

Short link



www.otlav.it - TP 230

# PVC

PVC

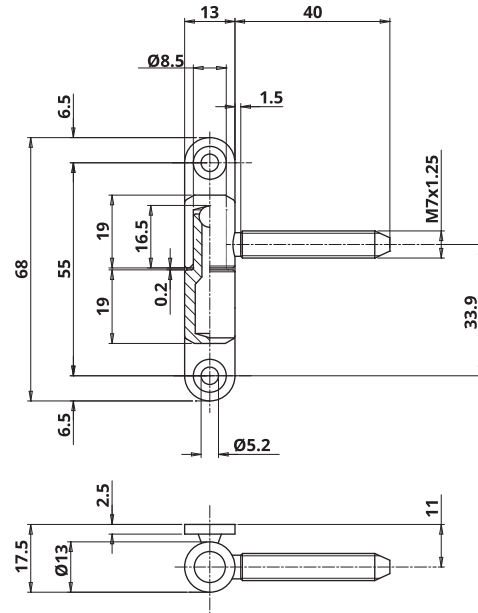








## P09 Ø13

Hinge - male part on plate, female part pin M7x40 mm



White (RAL 9010)



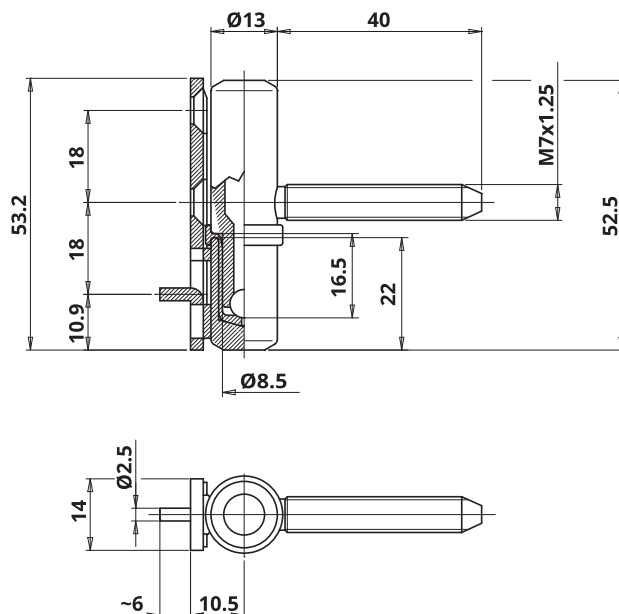
CODE	FINISHING	WEIGHT	Pcs / Box	PRICE PCS.	TOT.
 <b>CF030130H023</b> Door part	Zinc Plated	19,62 gr	500 1 x 500 (Box x pcs. each)	€ 0,227	€ 0,725
 <b>CGP09130H005</b> Frame part	Zinc Plated	32,16 gr	500 1 x 500 (Box x pcs. each)	€ 0,498	
 <b>CF030130P347</b> Door part on loader	White (RAL 9010)	18,87 gr	342 1 x 342 (Box x pcs. each)	€ 0,406	€ 1,106
 <b>CGP09130P306</b> Frame part	White (RAL 9010)	32,17 gr	520 4 x 130 (Box x pcs. each)	€ 0,70	
 <b>CF030130P904</b> Door part on loader	Grey (RAL 7035)	18,87 gr	342 1 x 342 (Box x pcs. each)	€ 0,447	€ 1,197
 <b>CGP09130P902</b> Frame part	Grey (RAL 7035)	32,17 gr	520 4 x 130 (Box x pcs. each)	€ 0,75	







Hinge - female part on plate and nylon bush with ring, male part pin M7x40 mm



Grey (9F)



PVC

CODE	FINISHING	WEIGHT	Pcs / Box	PRICE PCS.	TOT.
 <b>CFP391309F54</b> Door part on loader	Grey (9F)	30,27 gr	342 1 x 342 (Box x pcs. each)	€ 0,665	€ 1,487
 <b>CGP361309F52</b> Frame part on loader	Grey (9F)	24,66 gr	504 1 x 504 (Box x pcs. each)	€ 0,822	
 <b>CFP39130P316</b> Door part on loader	White (RAL 9010)	30,27 gr	342 1 x 342 (Box x pcs. each)	€ 0,58	€ 1,241
 <b>CGP36130P302</b> Frame part	White (RAL 9010)	24,66 gr	680 4 x 170 (Box x pcs. each)	€ 0,661	

Tools



**MC703P39G002**  
Wooden jig for overlay doors  
Page 179

Short link



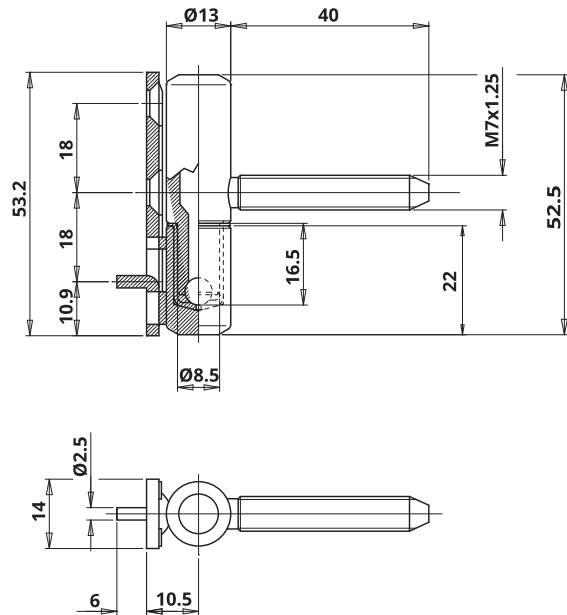
www.otlav.it - P36 Ø13













## P38 Ø13

Hinge - female part on plate and nylon bush, male part pin M7x40 mm



Grey (RAL 7035)



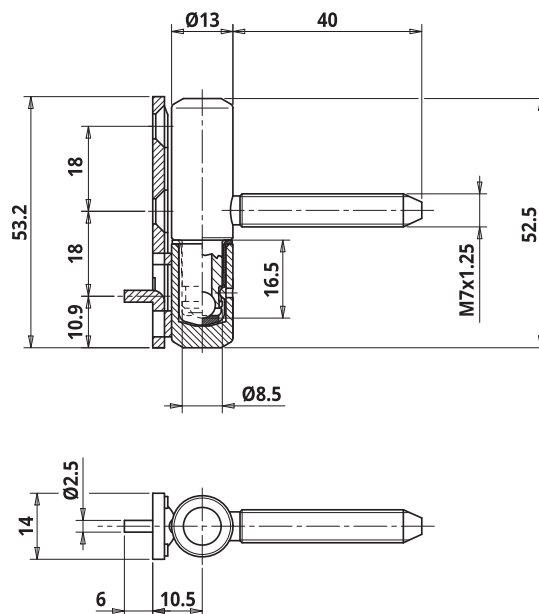
CODE	FINISHING	WEIGHT	Pcs / Box	PRICE PCS.	TOT.
 <b>CFP391309F54</b> Door part on loader	Grey (9F)	30,27 gr	342 1 x 342 (Box x pcs. each)	€ 0,665	€ 1,583
 <b>CGP381309F59</b> Frame part on loader	Grey (9F)	24,9 gr	504 1 x 504 (Box x pcs. each)	€ 0,917	
 <b>CFP39130P202</b> Door part on loader	Black	30,27 gr	342 1 x 342 (Box x pcs. each)	€ 1,04	€ 1,981
 <b>CGP38130P228</b> Frame part on loader	Black	24,9 gr	504 1 x 504 (Box x pcs. each)	€ 0,941	
 <b>CFP39130P316</b> Door part on loader	White (RAL 9010)	30,27 gr	342 1 x 342 (Box x pcs. each)	€ 0,58	€ 1,346
 <b>CGP38130P340</b> Frame part on loader	White (RAL 9010)	24,9 gr	504 1 x 504 (Box x pcs. each)	€ 0,766	
 <b>CFP39130P905</b> Door part on loader	Grey (RAL 7035)	30,27 gr	342 1 x 342 (Box x pcs. each)	€ 0,626	€ 1,476
 <b>CGP38130P904</b> Frame part on loader	Grey (RAL 7035)	24,9 gr	504 1 x 504 (Box x pcs. each)	€ 0,85	
 <b>CFP39130PI04</b> Door part on loader	White (RAL 9016)	30,27 gr	342 1 x 342 (Box x pcs. each)	€ 0,597	€ 1,362
 <b>CGP38130PI34</b> Frame part on loader	White (RAL 9016)	24,9 gr	504 1 x 504 (Box x pcs. each)	€ 0,766	
 <b>CFP39130PU02</b> Door part on loader	Clay Brown (RAL 8003)	30,27 gr	342 1 x 342 (Box x pcs. each)	€ 0,629	€ 1,479
 <b>CGP38130PU04</b> Frame part on loader	Clay Brown (RAL 8003)	24,9 gr	504 1 x 504 (Box x pcs. each)	€ 0,85	







Wasistas Hinge - female part on plate and nylon bush, male part pin M7x40 mm



White (RAL 9010)



PVC

CODE	FINISHING	WEIGHT	Pcs / Box	PRICE PCS.	TOT.
 <b>CFP39130P353</b> Door part on loader	White (RAL 9010)	30,27 gr	342 1 x 342 (Box x pcs. each)	€ 0,767	€ 1,65
 <b>CGP38130P328</b> Frame part on loader	White (RAL 9010)	24,9 gr	504 1 x 504 (Box x pcs. each)	€ 0,884	
 <b>CFP39130PI18</b> Door part on loader	White (RAL 9016)	30,27 gr	342 1 x 342 (Box x pcs. each)	On request	
 <b>CGP38130PI16</b> Frame part on loader	White (RAL 9016)	24,9 gr	504 1 x 504 (Box x pcs. each)	On request	

TOOLS



**MC703P39G002**  
Wooden jig for overlay doors  
Page 179

Short link



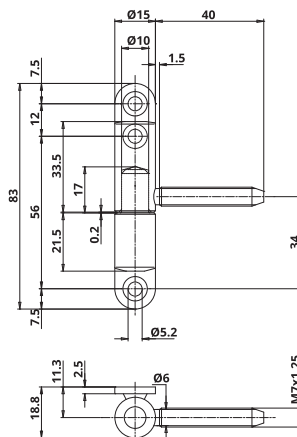
www.otlav.it - P38 Ø13





## P50 Ø15

Hinge - male part on plate, female part pin M7x40 mm



White (RAL 9010)



CODE	FINISHING	WEIGHT	Pcs / Box	PRICE PCS.	TOT.
 <b>CFP50150H047</b> Door part	Zinc Plated	41,58 gr	400 1 x 400 (Box x pcs. each)	€ 0,465	€ 1,129
 <b>CGP50150H005</b> Frame part	Zinc Plated	44,47 gr	400 1 x 400 (Box x pcs. each)	€ 0,665	
 <b>CFP50150P392</b> Door part on loader	White (RAL 9010)	41,58 gr	270 1 x 270 (Box x pcs. each)	€ 0,676	€ 1,58
 <b>CGP50150P312</b> Frame part	White (RAL 9010)	44,47 gr	360 4 x 90 (Box x pcs. each)	€ 0,904	

Short link



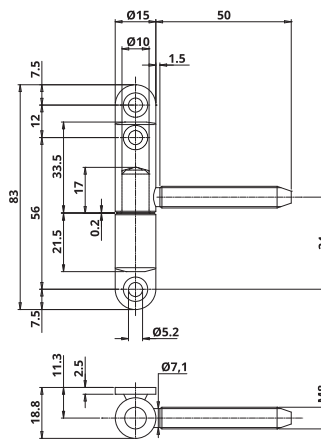
www.otlav.it - P50 Ø15





## P50 Ø15

Hinge - male part on plate, female part pin M8x50 mm



Zinc Plated



CODE	FINISHING	WEIGHT	Pcs / Box	PRICE PCS.	TOT.
 <b>CFP50150H049</b> Door part	Zinc Plated	48,44 gr	400 1 x 400 (Box x pcs. each)	€ 0,558	€ 1,223
 <b>CGP50150H005</b> Frame part	Zinc Plated	44,47 gr	400 1 x 400 (Box x pcs. each)	€ 0,665	
 <b>CFP50150P393</b> Door part on loader	White (RAL 9010)	48,44 gr	270 1 x 270 (Box x pcs. each)	€ 0,755	€ 1,659
 <b>CGP50150P312</b> Frame part	White (RAL 9010)	44,47 gr	360 4 x 90 (Box x pcs. each)	€ 0,904	

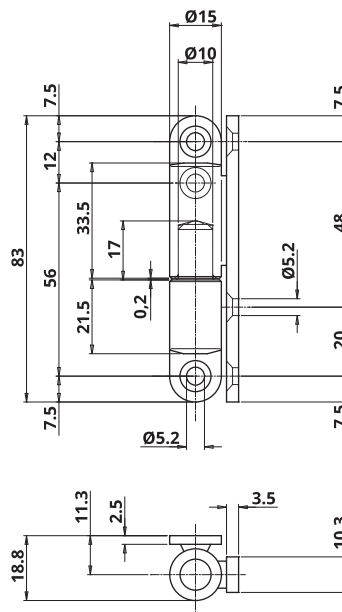
Short link







www.otlav.it - P50 Ø15



White (RAL 9010)



CODE	FINISHING	WEIGHT	Pcs / Box	PRICE PCS.	TOT.
 <b>CFP50150H046</b> Door part	Zinc Plated	52,95 gr	400 1 x 400 (Box x pcs. each)	€ 0,853	€ 1,517
 <b>CGP50150H005</b> Frame part	Zinc Plated	43,43 gr	400 1 x 400 (Box x pcs. each)	€ 0,665	
 <b>CFP50150P361</b> Door part	White (RAL 9010)	52,95 gr	360 4 x 90 (Box x pcs. each)	€ 1,137	€ 2,04
 <b>CGP50150P312</b> Frame part	White (RAL 9010)	44,47 gr	360 4 x 90 (Box x pcs. each)	€ 0,904	

Short link



www.otlav.it - P50 Ø15

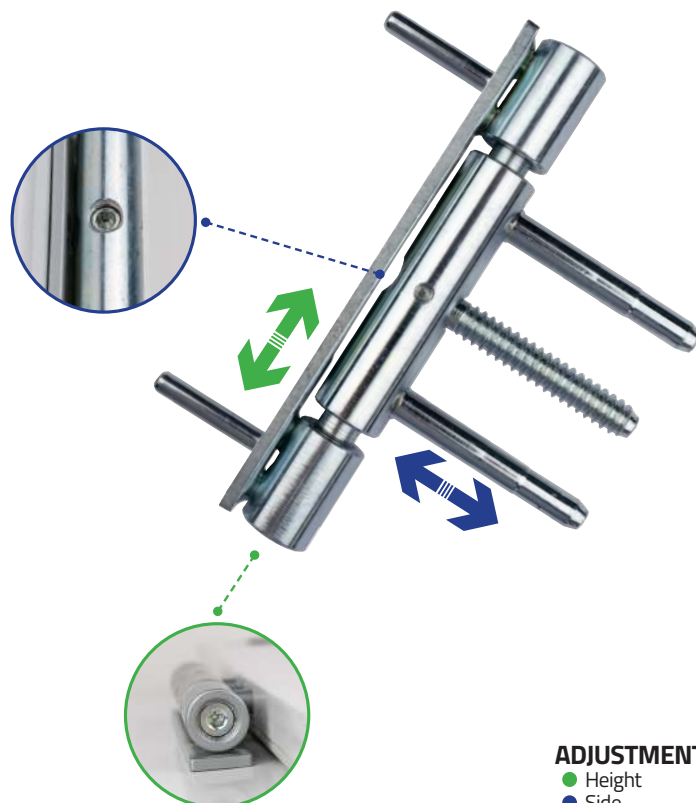
# TRIXACTA Ø16



TRIXACTA Ø16 is a three parts hinge made up of a central bush with 3 pins and two lateral bushes on a plate equipped with 3 fixing holes and two pegs. **Stability, capacity and perfect alignment** of the door are guaranteed; the hinge is suitable for heavy duty doors.

TRIXACTA Ø16 is height and side adjustable by means of a single 4mm hex wrench.

A **nylon cover allows to conceal the central three pins**, the end caps are available in several finishes to provide versatile, elegant and modern design.



#### ADJUSTMENTS

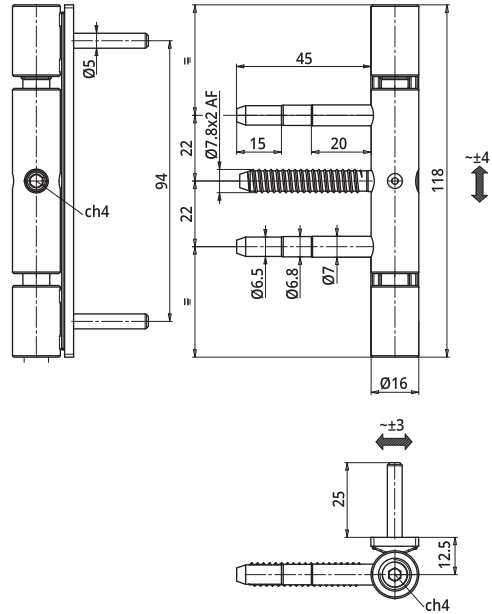
- Height
- Side




# TRIXACTA 473 Ø16

2D adjustable hinge for heavy doors



Satinized Silver



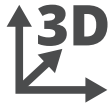
CODE	FINISHING	WEIGHT	Pcs / Box	PRICE PCS.
 <b>CI4731609F02</b> Complete hinges with caps	Grey (9F)	234 gr	24 4 x 6 (Box x pcs. Each)	€ 33,374
 <b>CI4731609P02</b> Complete hinges with caps	Matt White (RAL 9016)	234 gr	24 4 x 6 (Box x pcs. Each)	€ 33,374
 <b>CI473160V702</b> Complete hinges with caps	Satinized Silver	234 gr	24 4 x 6 (Box x pcs. Each)	€ 33,374

Short link



www.otlav.it - TRIXACTA 473 Ø16

# TRIXACTA Ø18

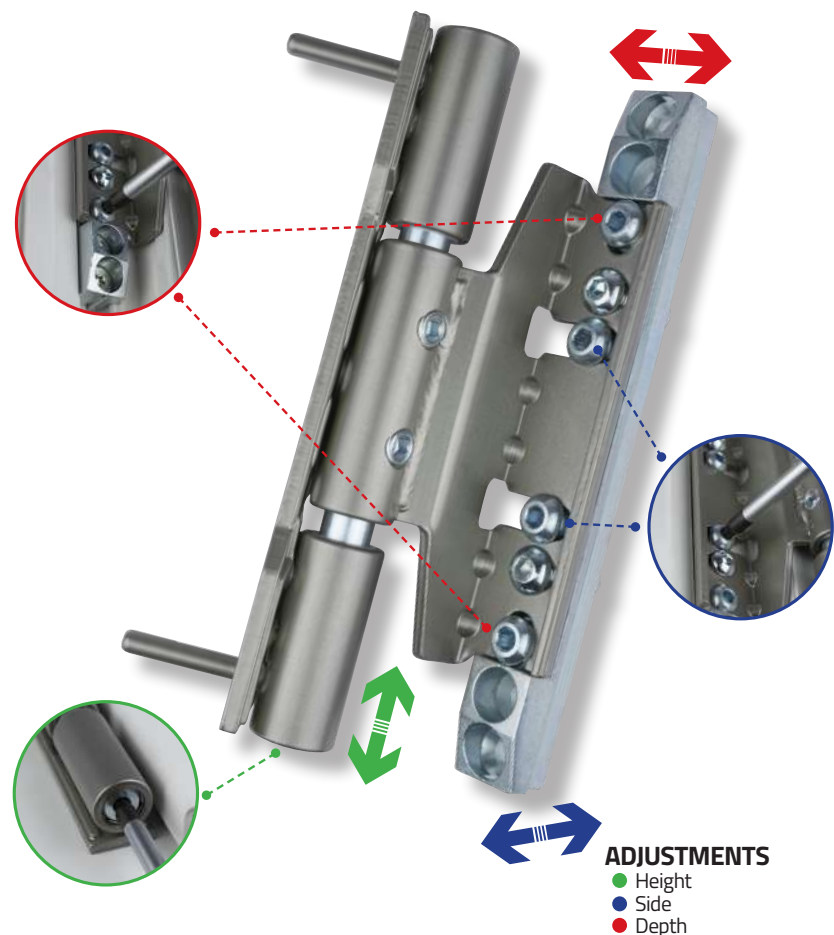


Reversible



TRIXACTA Ø18 guarantees top quality and reliable performance, and has passed CE tests for a capacity of 160 kg.

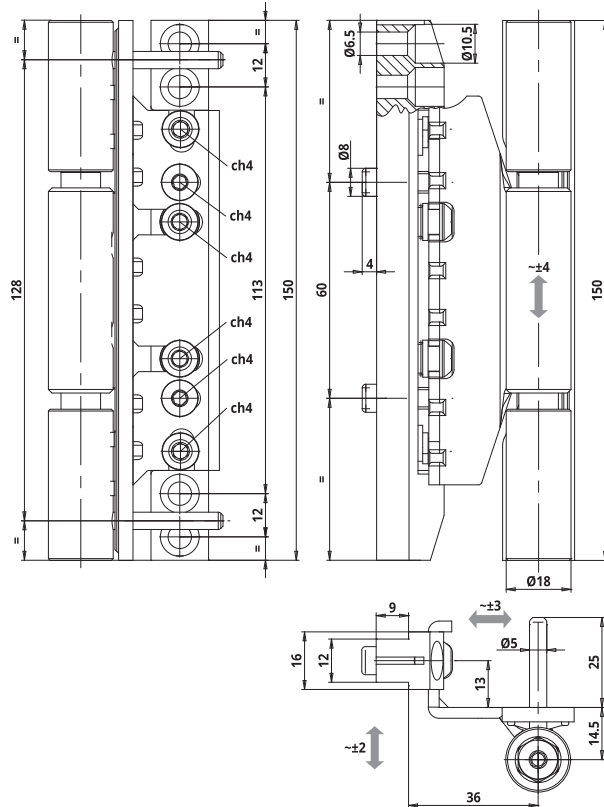
TRIXACTA Ø18 facilitates rapid installation on European groove profiles with its 12 mm clearance and 13 mm axis, is adjustable on three axes by means of a single 4mm hex wrench. The end caps are available in several kinds of finishing to provide versatile, elegant and modern design.



3D adjustable hinge for profiles with European groove with 13 mm axis - for heavy doors





Grey (9F)



PVC

CODE	FINISHING	WEIGHT	Pcs / Box	PRICE PCS.
 <b>CI4731809F02</b> Complete hinges with caps and 7 screws T25 Ø6.3x45	Grey (9F)	703 gr	9 3 x 3 (Box x pcs. Each)	€ 47,355
 <b>CI473180PI02</b> Complete hinges with caps and 7 screws T25 Ø6.3x45	White (RAL 9016)	703 gr	9 3 x 3 (Box x pcs. Each)	€ 47,355
 <b>CI473180V702</b> Complete hinges with caps and 7 screws T25 Ø6.3x45	Satinized Silver	703 gr	9 3 x 3 (Box x pcs. Each)	€ 47,355
 <b>CI473180H504</b> Complete hinges, caps and screws not included	Zinc Plated 12µ	693 gr	9 3 x 3 (Box x pcs. Each)	On request
 <b>GC4731909W03</b> Aluminium caps kit	Black Brown (RAL 8022)	16 gr	72 kit 8 x 9 (Box x kit each)	On request
 <b>GC473190PU03</b> Aluminium caps kit	Clay Brown (RAL 8003)	16 gr	72 kit 8 x 9 (Box x kit each)	On request
 <b>GC473190VM03</b> Aluminium caps kit	Matt Gold	16 gr	72 kit 8 x 9 (Box x kit each)	On request

<b>TOOLS</b>  <b>MC 703</b> Aluminium jig for overlay doors Page 180	<b>CAPS</b>  <b>473 Ø19</b> Aluminium caps kit Page 190
---	--

Short link



www.otlav.it - TRIXACTA 473 Ø18

# MIXACTA 2D 482 Ø16

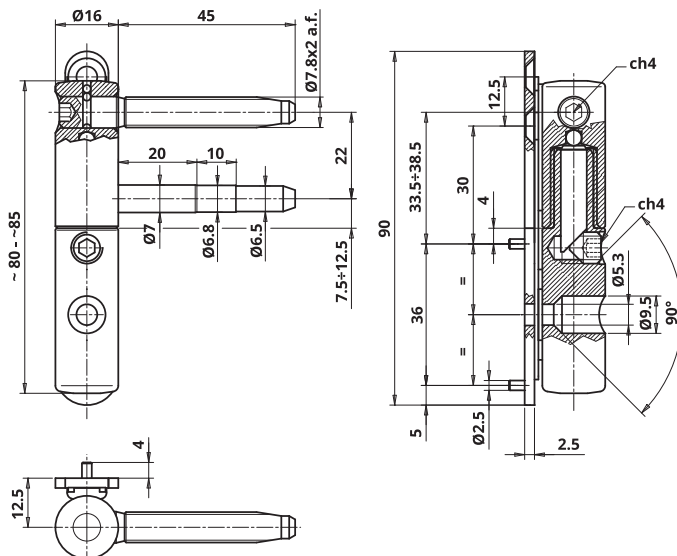
2D adjustable hinge - Female part with 2 pins 7,8x45 mm, with nylon bush - Male part on plate




Zinc Plated 12µ



4 7 5 0 1 2 0 1 2



CODE	FINISHING	WEIGHT	Pcs / Box	PRICE PCS.	TOT.
 <b>CF4951609F60</b> Door part	Grey (9F)	66 gr	200 4 x 50 (Box x pcs. each)	€ 3,331	€ 9,03
 <b>CG4821609F56</b> Frame part	Grey (9F)	95 gr	200 4 x 50 (Box x pcs. each)	€ 5,699	
 <b>GC8381709F52</b> Aluminium cap	Grey (9F)	3,32 gr	160 4 x 40 (Box x pcs. each)	€ 1,687	
 <b>CF495160H502</b> Door part	Zinc Plated 12µ	66 gr	200 4 x 50 (Box x pcs. each)	€ 2,097	€ 7,191
 <b>CG482160H504</b> Frame part	Zinc Plated 12µ	95 gr	192 4 x 48 (Box x pcs. each)	€ 5,094	
 <b>CF495160PI03</b> Door part	White (RAL 9016)	66 gr	200 4 x 50 (Box x pcs. each)	€ 3,024	€ 8,354
 <b>CG482160PI06</b> Frame part	White (RAL 9016)	95 gr	200 4 x 50 (Box x pcs. each)	€ 5,33	
 <b>GC838170PI02</b> Aluminium cap	White (RAL 9016)	3,32 gr	160 4 x 40 (Box x pcs. each)	€ 1,835	
 <b>GC838180Y603</b> Nylon cap	White Nylon (RAL 9016)	2,41 gr	480 4 x 120 (Box x pcs. each)	€ 0,227	
 <b>GC846170PI02</b> Aluminium cap	White (RAL 9016)	3,42 gr	160 4 x 40 (Box x pcs. each)	€ 1,958	

CAPS					
	<b>838 Ø17</b> Aluminium cap Page 195	<b>838 Ø18</b> Brass cap Page 197	<b>838 Ø18</b> Nylon cap Page 197	<b>839 Ø18</b> Brass cap Page 200	<b>846 Ø17</b> Aluminium cap Page 202

Short link



www.ottau.it - MIXACTA 2D 482 Ø16

# MIXACTA 2D 482 Ø16

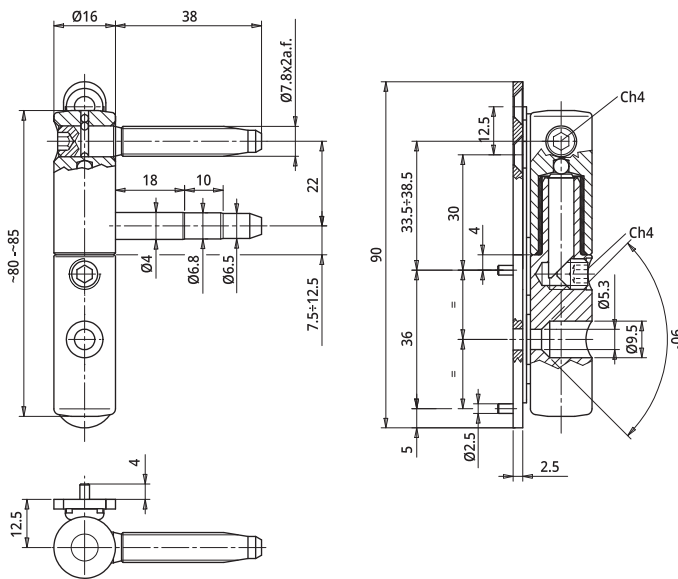
2D adjustable hinge - Female part with 2 pins 7,8x38 mm, with nylon bush - Male part on plate









Grey (9F)



4 7 5 0 1 2 0 12



PVC

CODE	FINISHING	WEIGHT	Pcs / Box	PRICE PCS.	TOT.
 <b>CF4951609F53</b> Door part	Grey (9F)	66 gr	200 4 x 50 (Box x pcs. each)	€ 3,331	€ 9,03
 <b>CG4821609F56</b> Frame part	Grey (9F)	95 gr	200 4 x 50 (Box x pcs. each)	€ 5,699	
 <b>GC8381709F52</b> Aluminium cap	Grey (9F)	3,32 gr	160 4 x 40 (Box x pcs. each)	€ 1,687	
 <b>CF4951609P03</b> Door part	Matt White (RAL 9016)	66 gr	200 4 x 50 (Box x pcs. each)	On request	
 <b>CG4821609P03</b> Frame part	Matt White (RAL 9016)	95 gr	200 4 x 50 (Box x pcs. each)	On request	
 <b>GC8381709P04</b> Aluminium cap	Matt White (RAL 9016)	3,32 gr	160 4 x 40 (Box x pcs. each)	On request	

CAPS



**838 Ø17**  
Aluminium cap

Page 195

Short link



www.otlav.it - MIXACTA 2D 482 Ø16

# MIXACTA 2D 482 Ø16

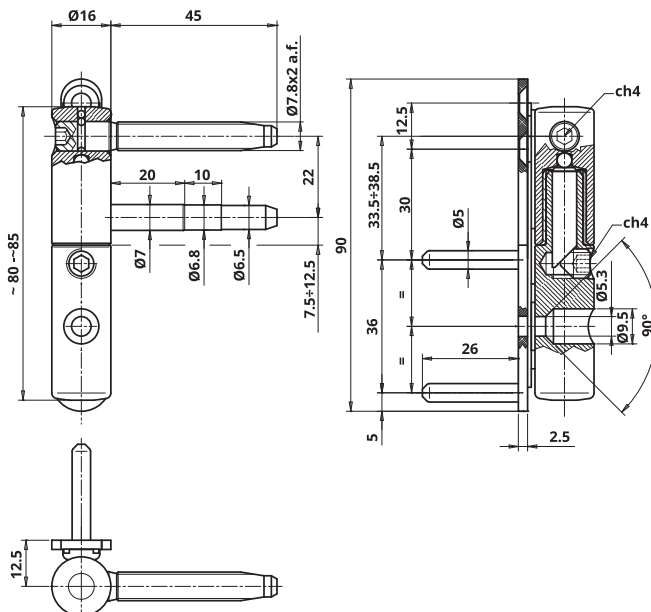
2D adjustable hinge - Female part with 2 pins 7,8x45 mm, with nylon bush - Male part on plate, pegs Ø5x26 mm





Zinc Plated 12µ



4 7 5 0 1 2 0 12



CODE	FINISHING	WEIGHT	Pcs / Box	PRICE PCS.	TOT.
 <b>CF495160H502</b> Door part	Zinc Plated 12µ	66 gr	200 4 x 50 (Box x pcs. each)	€ 2,097	€ 9,569
 <b>CG482160H517</b> Frame part	Zinc Plated 12µ	102 gr	96 8 x 12 (Box x pcs. each)	€ 7,472	

CAPS					
	<b>838 Ø17</b> Aluminium cap	<b>838 Ø18</b> Brass cap	<b>838 Ø18</b> Nylon cap	<b>839 Ø18</b> Brass cap	<b>846 Ø17</b> Aluminium cap
	Page 195	Page 197	Page 197	Page 200	Page 202

Short link



www.otlav.it - MIXACTA 2D 482 Ø16

# BIXACTA

CE

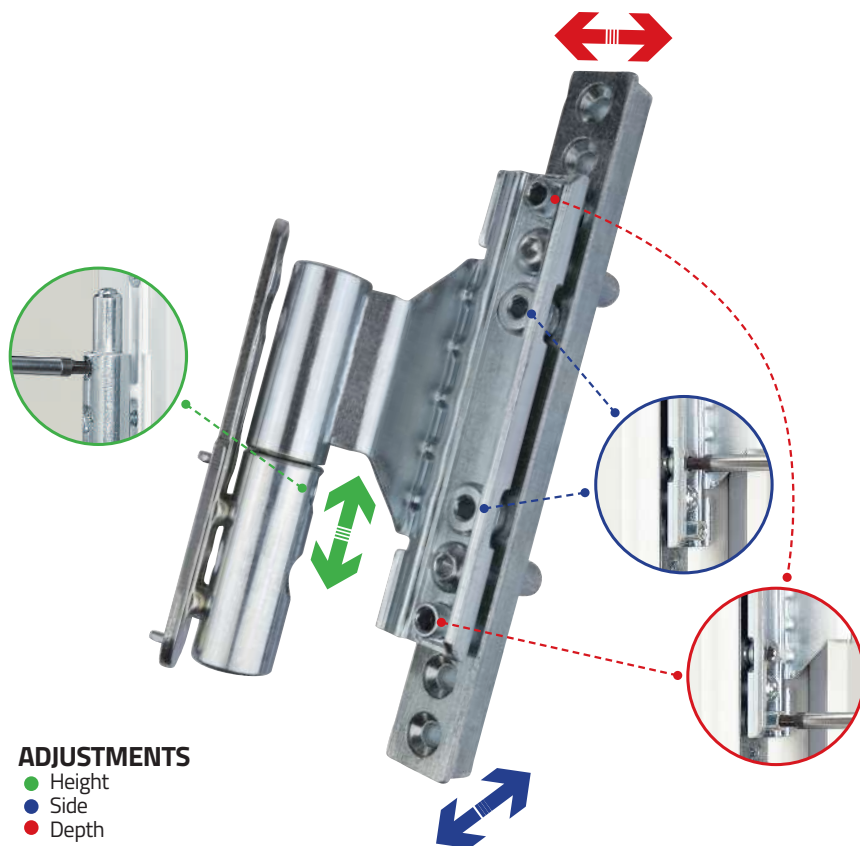
3D

80kg



PVC

**CE certified** hinge, the door part is suitable to be fitted in the **European groove axis 13 mm or axis 9 mm** with 12 mm clearance. The male part is available with three different types of pegs and two plate models. Discreet, elegant hinge distinguished by ease of installation and **three-dimensional adjustment** with the door fitted. Available in different kind of finishing, suitable for wooden door equipped with European groove.



## ADJUSTMENTS

- Height
- Side
- Depth



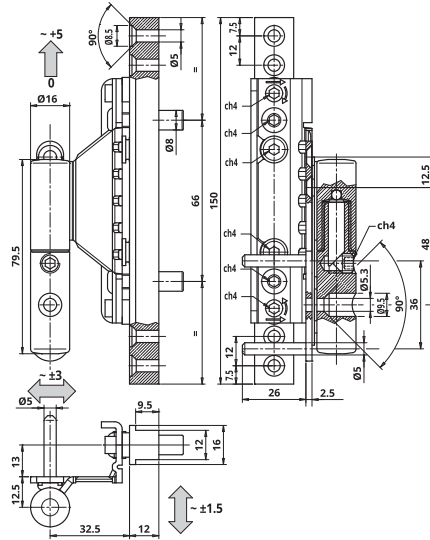
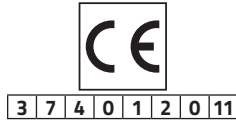




## BIXACTA 483 Ø16


3D adjustable hinge for profiles with European groove with 13 mm axis - male part on plate pegs Ø5x26 mm - DIN left



Zinc Plated 12µ



CODE	FINISHING	WEIGHT	Pcs / Box	PRICE PCS.	Tot.
 <b>CF483160H510</b> Door part	Zinc Plated 12µ	264,9 gr	48 4 x 12 (Box x pcs. each)	€ 15,785	€ 23,257
 <b>CG482160H517</b> Frame part	Zinc Plated 12µ	102 gr	96 8 x 12 (Box x pcs. each)	€ 7,472	

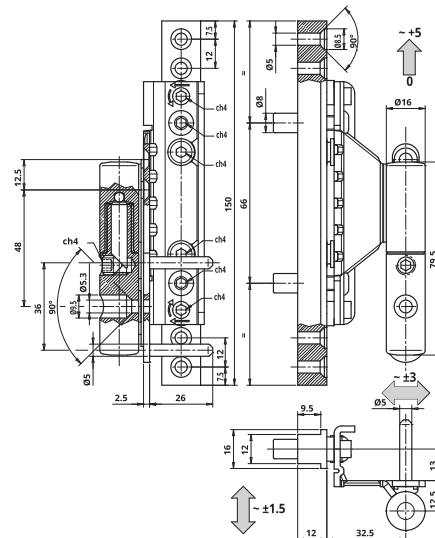
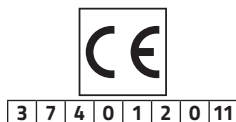
<b>TOOLS</b>  <b>MC703483G010</b> Aluminium jig for overlay doors Page 179	<b>CAPS</b>  <b>838 Ø17</b> Aluminium cap Page 195	 <b>838 Ø18</b> Brass cap Page 197	 <b>838 Ø18</b> Nylon cap Page 197	 <b>839 Ø18</b> Brass cap Page 200	 <b>846 Ø17</b> Aluminium cap Page 202	Short link  www.otlav.it - BIXACTA 483 Ø16



## BIXACTA 483 Ø16


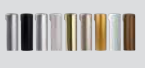





3D adjustable hinge for profiles with European groove with 13 mm axis - male part on plate pegs Ø5x26 mm - DIN right



Zinc Plated 12µ



CODE	FINISHING	WEIGHT	Pcs / Box	PRICE PCS.	Tot.
 <b>CF483160H511</b> Door part	Zinc Plated 12µ	264,9 gr	48 4 x 12 (Box x pcs. each)	€ 15,785	€ 23,257
 <b>CG482160H517</b> Frame part	Zinc Plated 12µ	102 gr	96 8 x 12 (Box x pcs. each)	€ 7,472	

<b>TOOLS</b>  <b>MC703483G010</b> Aluminium jig for overlay doors Page 179	<b>CAPS</b>  <b>838 Ø17</b> Aluminium cap Page 195	 <b>838 Ø18</b> Brass cap Page 197	 <b>838 Ø18</b> Nylon cap Page 197	 <b>839 Ø18</b> Brass cap Page 200	 <b>846 Ø17</b> Aluminium cap Page 202	Short link  www.otlav.it - BIXACTA 483 Ø16

# BIXACTA 483 Ø16

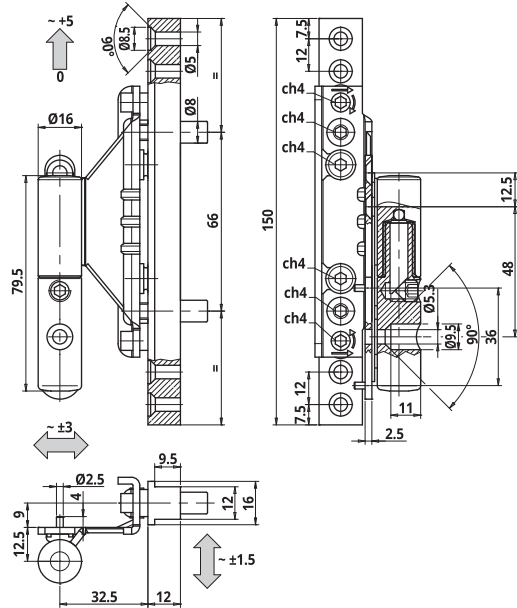
3D adjustable hinge for profiles with European groove with 9 mm axis - male part on plate pegs Ø2,5x4 mm - DIN left





Zinc Plated 12µ



3 7 4 0 1 2 0 11



CODE	FINISHING	WEIGHT	Pcs / Box	PRICE PCS.	TOT.
 <b>CF483160H515</b> Door part	Zinc Plated 12µ	255,9 gr	48 4 x 12 (Box x pcs. each)	€ 15,785	€ 20,879
 <b>CG482160H504</b> Frame part	Zinc Plated 12µ	95 gr	192 4 x 48 (Box x pcs. each)	€ 5,094	

TOOLS	MA703483G002 Aluminium toolkit for overlay doors Page 175	MC703483G010 Aluminium jig for overlay doors Page 179	MU803483G002 Rod Page 185
-------	--	--	---------------------------------

CAPS	838 Ø17 Aluminium cap Page 195	838 Ø18 Brass cap Page 197	838 Ø18 Nylon cap Page 197	839 Ø18 Brass cap Page 200	846 Ø17 Aluminium cap Page 202
------	--------------------------------------	----------------------------------	----------------------------------	----------------------------------	--------------------------------------



www.otlav.it - BIXACTA 483 Ø16

# BIXACTA 483 Ø16

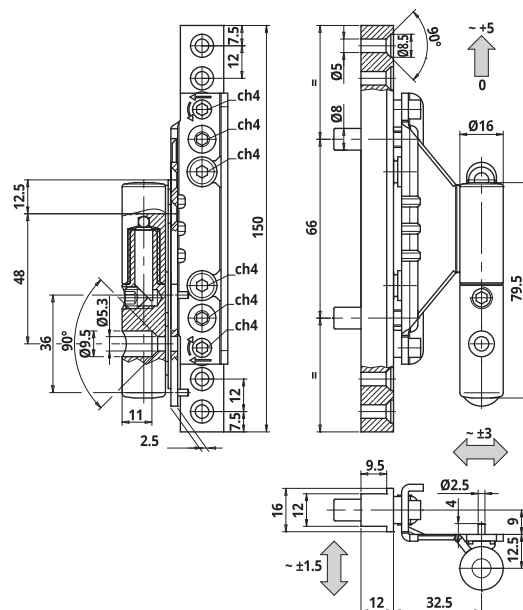
3D adjustable hinge for profiles with European groove with 9 mm axis - male part on plate pegs Ø2,5x4 mm - DIN right





Zinc Plated 12µ



3 7 4 0 1 2 0 11



CODE	FINISHING	WEIGHT	Pcs / Box	PRICE PCS.	TOT.
 <b>CF483160H519</b> Door part	Zinc Plated 12µ	255,9 gr	48 4 x 12 (Box x pcs. each)	€ 15,785	€ 20,879
 <b>CG482160H504</b> Frame part	Zinc Plated 12µ	95 gr	192 4 x 48 (Box x pcs. each)	€ 5,094	

<b>TOOLS</b>	 <b>MA703483G002</b> Aluminium toolkit for overlay doors Page 175	 <b>MC703483G010</b> Aluminium jig for overlay doors Page 179	 <b>MU803483G002</b> Rod Page 185
--------------	---	---	---

<b>CAPS</b>	 <b>838 Ø17</b> Aluminium cap Page 195	 <b>838 Ø18</b> Brass cap Page 197	 <b>838 Ø18</b> Nylon cap Page 197	 <b>839 Ø18</b> Brass cap Page 200	 <b>846 Ø17</b> Aluminium cap Page 202
-------------	--	--	--	--	---

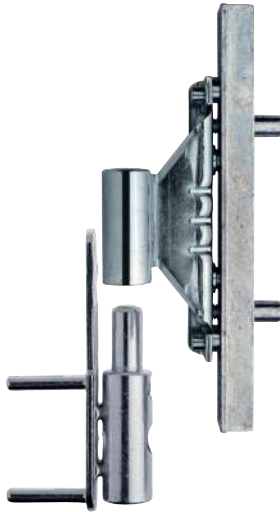
Short link



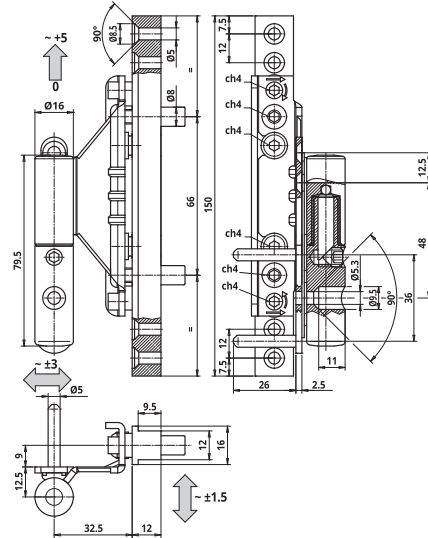
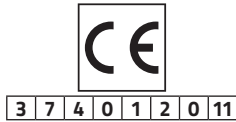
www.otlav.it - BIXACTA 483 Ø16



## BIXACTA 483 Ø16

3D adjustable hinge for profiles with European groove with 9 mm axis - male part on plate pegs Ø5x26 mm - DIN left



Zinc Plated 12µ



CODE	FINISHING	WEIGHT	Pcs / Box	PRICE PCS.	TOT.
 <b>CF483160H515</b> Door part	Zinc Plated 12µ	255,9 gr	48 4 x 12 (Box x pcs. each)	€ 15,785	€ 23,257
 <b>CG482160H517</b> Frame part	Zinc Plated 12µ	102 gr	96 8 x 12 (Box x pcs. each)	€ 7,472	

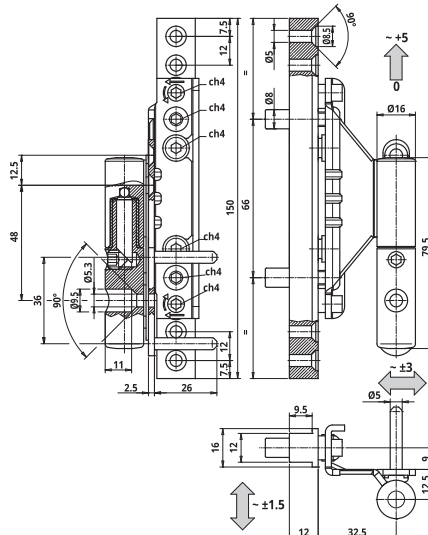
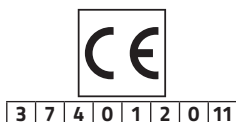
<b>TOOLS</b> MC703483G010 Aluminium jig for overlay doors Page 179	<b>CAPS</b>	 <b>838 Ø17</b> Aluminium cap Page 195	 <b>838 Ø18</b> Brass cap Page 197	 <b>838 Ø18</b> Nylon cap Page 197	 <b>839 Ø18</b> Brass cap Page 200	 <b>846 Ø17</b> Aluminium cap Page 202	<b>Short link</b>  <a href="http://www.otlav.it - BIXACTA 483 Ø16">www.otlav.it - BIXACTA 483 Ø16</a>



## BIXACTA 483 Ø16







3D adjustable hinge for profiles with European groove with 9 mm axis - male part on plate pegs Ø5x26 mm - DIN right



Zinc Plated 12µ






















CODE	FINISHING	WEIGHT	Pcs / Box	PRICE PCS.	TOT.
 <b>CF483160H519</b> Door part	Zinc Plated 12µ	255,9 gr	48 4 x 12 (Box x pcs. each)	€ 15,785	€ 23,257
 <b>CG482160H517</b> Frame part	Zinc Plated 12µ	102 gr	96 8 x 12 (Box x pcs. each)	€ 7,472	

<b>TOOLS</b> MC703483G010 Aluminium jig for overlay doors Page 179	<b>CAPS</b>	 <b>838 Ø17</b> Aluminium cap Page 195	 <b>838 Ø18</b> Brass cap Page 197	 <b>838 Ø18</b> Nylon cap Page 197	 <b>839 Ø18</b> Brass cap Page 200	 <b>846 Ø17</b> Aluminium cap Page 202	<b>Short link</b>  <a href="http://www.otlav.it - BIXACTA 483 Ø16">www.otlav.it - BIXACTA 483 Ø16</a>

# Possible Combinations

## Exacta - Bixacta - Ursus

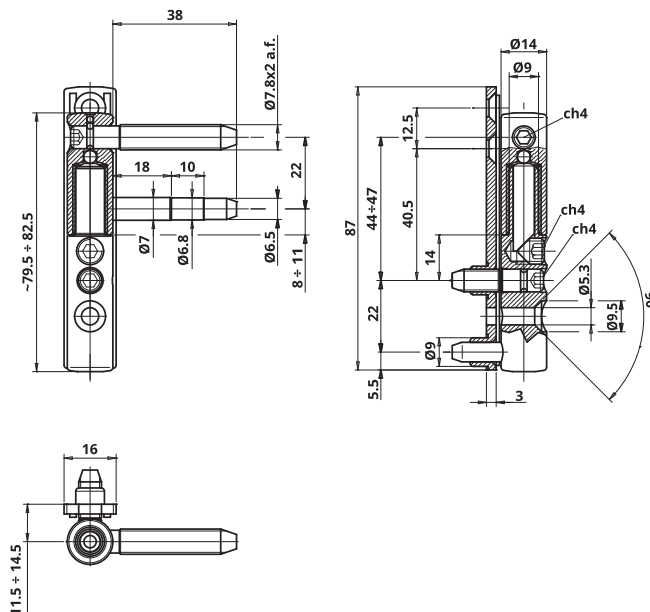
 <p>MALE <b>URSUS Ø16</b></p>	 <p><b>URSUS Ø16</b> 3D adjustable hinge with 5 pins</p>	 <p><b>MIXACTA 483</b> 3D adjustable hinge for profiles with European groove with 13 mm axis</p>	 <p><b>MIXACTA 483</b> 3D adjustable hinge for profiles with European groove with 9 mm axis</p>
 <p>MALE <b>EXACTA Ø16</b></p>	 <p><b>EXACTA Ø16</b> 3D adjustable hinge with 4 pins</p>	 <p><b>MIXACTA 483</b> 3D adjustable hinge for profiles with European groove with 13 mm axis</p>	 <p><b>MIXACTA 483</b> 3D adjustable hinge for profiles with European groove with 9 mm axis</p>
 <p>MALE <b>BIXACTA Ø16</b> PEGS Ø5x26</p>	 <p><b>MIXACTA 482</b> 2D adjustable hinge with plate</p>	 <p><b>BIXACTA 483</b> 3D adjustable hinge for profiles with European groove with 13 mm axis</p>	 <p><b>BIXACTA 483</b> 3D adjustable hinge for profiles with European groove with 9 mm axis</p>
 <p>MALE <b>BIXACTA Ø16</b></p>	 <p><b>MIXACTA 482</b> 2D adjustable hinge with plate</p>	 <p><b>BIXACTA 483</b> 3D adjustable hinge for profiles with European groove with 13 mm axis</p>	 <p><b>BIXACTA 483</b> 3D adjustable hinge for profiles with European groove with 9 mm axis</p>
<p><b>MALE</b></p> <p><b>FEMALE</b></p>	 <p>FEMALE <b>EXACTA Ø16</b></p>	 <p>FEMALE <b>BIXACTA Ø16</b> AXIS 13 mm</p>	 <p>FEMALE <b>BIXACTA Ø16</b> AXIS 9 mm</p>

# MIXACTA 3D 486 Ø14






3D adjustable hinge - female EXACTA - male part on plate



White (RAL 9016)



PVC

CODE	FINISHING	WEIGHT	Pcs / Box	PRICE PCS.	TOT.
 <b>CF495140PI03</b> Door part	White (RAL 9016)	52,8 gr	200 4 x 50 (Box x pcs. each)	€ 2,793	€ 6,852
 <b>CG486140PI03</b> Frame part	White (RAL 9016)	91,72 gr	200 4 x 50 (Box x pcs. each)	€ 4,059	
 <b>GC838150PI02</b> Aluminium cap	White (RAL 9016)	2,68 gr	680 4 x 170 (Box x pcs. each)	€ 1,252	
 <b>GC838160Y602</b> Nylon cap	White Nylon (RAL 9016)	2 gr	720 4 x 180 (Box x pcs. each)	€ 0,267	
 <b>GC846150PI02</b> Aluminium cap	White (RAL 9016)	2,95 gr	180 4 x 45 (Box x pcs. each)	€ 1,61	

CAPS



**838 Ø15**  
Aluminium cap

Page 193



**838 Ø16**  
Nylon cap

Page 194



**846 Ø15**  
Aluminium cap

Page 202

Short link



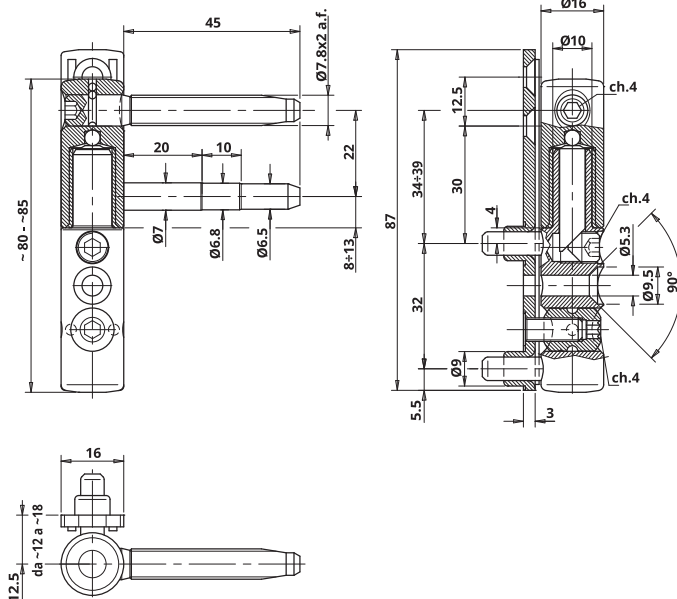
www.otlav.it - MIXACTA 3D 486 Ø14

# MIXACTA 3D 486 Ø16

3D adjustable hinge - male part on plate - female part EXACTA



Grey (9F)



CODE	FINISHING	WEIGHT	Pcs / Box	PRICE PCS.	TOT.
 <b>CF4951609F60</b> Door part	Grey (9F)	66 gr	200 4 x 50 (Box x pcs. each)	€ 3,331	€ 10,363
 <b>CG4861609F53</b> Frame part	Grey (9F)	99 gr	200 4 x 50 (Box x pcs. each)	€ 7,032	
 <b>GC8381709F52</b> Aluminium cap	Grey (9F)	3,32 gr	160 4 x 40 (Box x pcs. each)	€ 1,687	
 <b>CF495160PI03</b> Door part	White (RAL 9016)	66 gr	200 4 x 50 (Box x pcs. each)	€ 3,024	€ 9,42
 <b>CG486160PI03</b> Frame part	White (RAL 9016)	99 gr	200 4 x 50 (Box x pcs. each)	€ 6,396	
 <b>GC838170PI02</b> Aluminium cap	White (RAL 9016)	3,32 gr	160 4 x 40 (Box x pcs. each)	€ 1,835	
 <b>GC838180Y603</b> Nylon cap	White Nylon (RAL 9016)	2,41 gr	480 4 x 120 (Box x pcs. each)	€ 0,227	
 <b>GC846170PI02</b> Aluminium cap	White (RAL 9016)	3,42 gr	160 4 x 40 (Box x pcs. each)	€ 1,958	

CAPS			
	<b>838 Ø17</b> Aluminium cap	<b>838 Ø18</b> Nylon cap	<b>846 Ø17</b> Aluminium cap
	Page 195	Page 197	Page 202

Short link

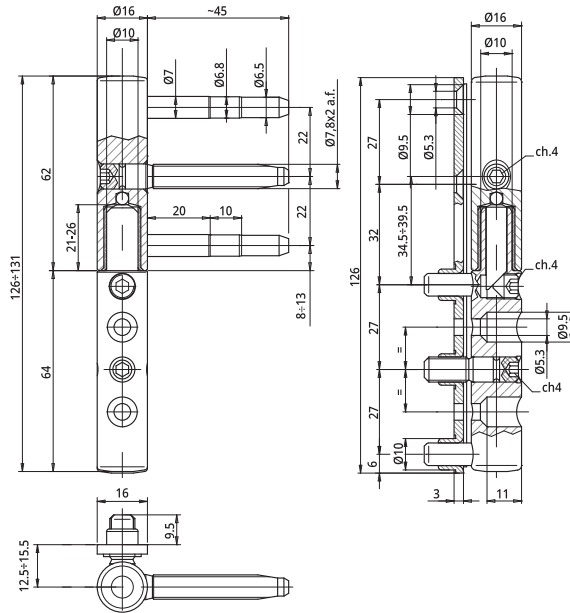








www.otlav.it - MIXACTA 3D 486 Ø16

3D adjustable hinge - Female part with 3 pins 7,8x45 mm - male part on plate



White



CODE	FINISHING	WEIGHT	Pcs / Box	PRICE PCS.
 <b>CF4951609F20</b> Door part	Grey (9F)	116 gr	100 4 x 25 (Box x pcs. each)	On request
 <b>CG4871609F03</b> Frame part	Grey (9F)	146 gr	100 4 x 25 (Box x pcs. each)	On request
 <b>GC838170JC06</b> Aluminium cap	Satinized Nickel Plated	4 gr	240 8 x 30 (Box x pcs. each)	€ 3,249
 <b>CF4951609P20</b> Door part	Matt White (RAL 9016)	116 gr	100 4 x 25 (Box x pcs. each)	On request
 <b>CG4871609P03</b> Frame part	Matt White (RAL 9016)	146 gr	100 4 x 25 (Box x pcs. each)	On request
 <b>GC8381709P02</b> Aluminium cap	Matt White (RAL 9016)	4 gr	160 4 x 40 (Box x pcs. each)	On request

**CAPS**



**838 Ø17**  
Aluminium cap

Page 196

Short link



www.ottav.it - URSUS PVC 487 Ø16

# ROLLACTA R3

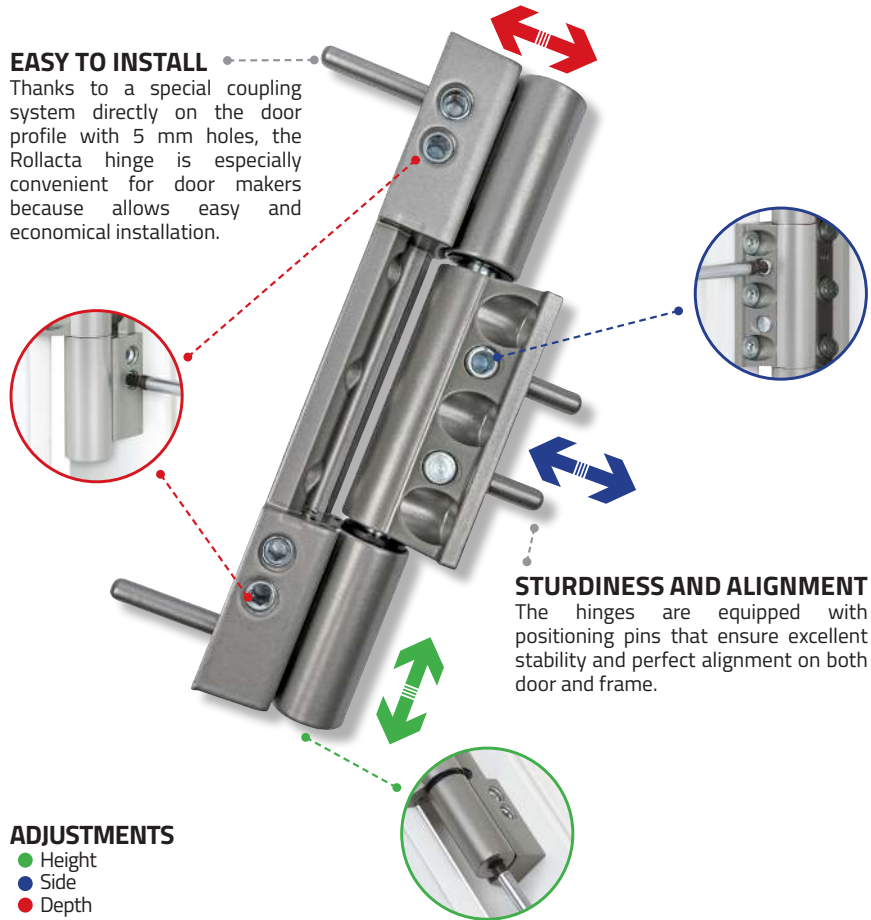
Designed to fulfill modern design needs and high quality manufacturing standards, Rollacta is the ideal solution for uPVC doors.

The special cylindrical shape blends seamlessly with sash and frame for elegant door design solution and always leaves the seal unscathed ensuring high thermal and acoustic insulation values.



### EASY TO INSTALL

Thanks to a special coupling system directly on the door profile with 5 mm holes, the Rollacta hinge is especially convenient for door makers because allows easy and economical installation.



### STURDINESS AND ALIGNMENT

The hinges are equipped with positioning pins that ensure excellent stability and perfect alignment on both door and frame.

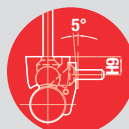
### ADJUSTMENTS

- Height
- Side
- Depth

Available in 6 different versions that enable the use on the most common PVC profiles



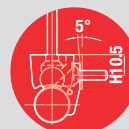
Height 9 mm  
Not Inclined



Height 9 mm  
Inclined 5°



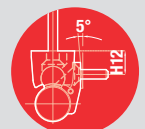
Height 10,5 mm  
Not Inclined



Height 10,5 mm  
Inclined 5°



Height 12 mm  
Not Inclined



Height 12 mm  
Inclined 5°

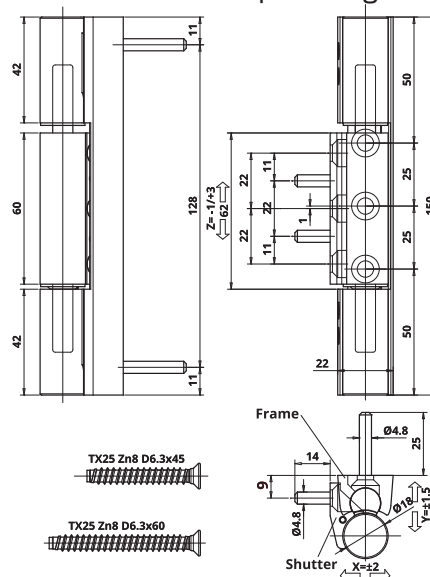
\* Tested with 90x210 cm doors - For more information on the number of hinges to be used according to the weight and dimension of the door, please see the loading charts available on the website [www.otlav.it](http://www.otlav.it).

# ROLLACTA R3 090



3-part hinge - H 9 - DIN right



White (RAL 9016)



PVC

CODE	FINISHING	WEIGHT	Pcs / Box	PRICE PCS.
 <b>R30900D09F02</b> Complete hinge	Grey (9F)	537,8 gr	9* 3 x 3 (Box x pcs. each)	On request
 <b>R30900D0PI02</b> Complete hinge	White (RAL 9016)	537,8 gr	9* 3 x 3 (Box x pcs. Each)	€ 41,50

**TOOLS**



**MR A**  
Aluminium jig for  
overlay doors  
Page 188

\*Each box includes: 3 complete hinges, 3 caps kit, 9 screws T25 Ø6.3x60 to be used with the shutter part and 9 Screws T25 Ø6.3x45 to be used with the frame part.

Short link



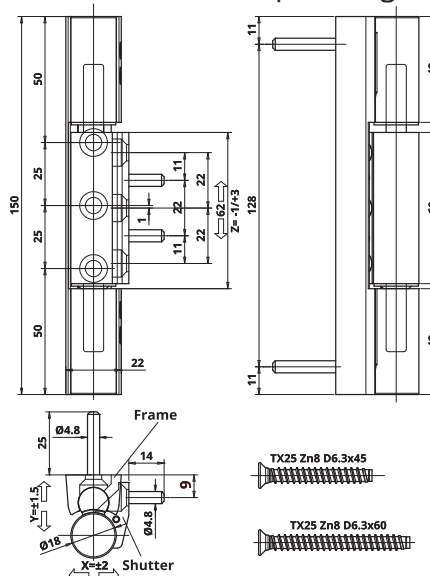
www.otlav.it - ROLLACTA R3 090



# ROLLACTA R3 090

3-part hinge - H 9 - DIN left



Grey (9F)



CODE	FINISHING	WEIGHT	Pcs / Box	PRICE PCS.
 <b>R30900S09F02</b> Complete hinge	Grey (9F)	537,8 gr	9* 3 x 3 (Box x pcs. Each)	€ 41,50
 <b>R30900S0PI02</b> Complete hinge	White (RAL 9016)	537,8 gr	9* 3 x 3 (Box x pcs. Each)	€ 41,50

**TOOLS**



**MR A**  
Aluminium jig for  
overlay doors  
Page 188

\*Each box includes: 3 complete hinges, 3 caps kit, 9 screws T25 Ø6.3x60 to be used with the shutter part and 9 Screws T25 Ø6.3x45 to be used with the frame part.

Short link



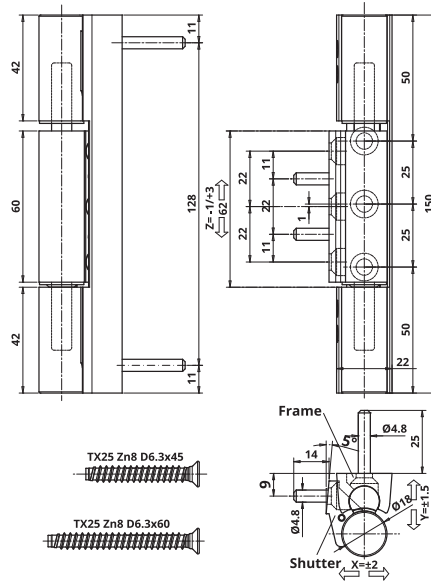
www.otlav.it - ROLLACTA R3 090



## ROLLACTA R3 090

3-part hinge - H 9 - inclined 5° - DIN right



White (RAL 9016)



CODE	FINISHING	WEIGHT	Pcs / Box	PRICE PCS.
 <b>R30900D59F02</b> Complete hinge	Grey (9F)	538,1 gr	9* 3 x 3 (Box x pcs. each)	On request
 <b>R30900D5PI02</b> Complete hinge	White (RAL 9016)	538,1 gr	9* 3 x 3 (Box x pcs. Each)	€ 41,50



\*Each box includes: 3 complete hinges, 3 caps kit, 9 screws T25 Ø6.3x60 to be used with the shutter part and 9 Screws T25 Ø6.3x45 to be used with the frame part.

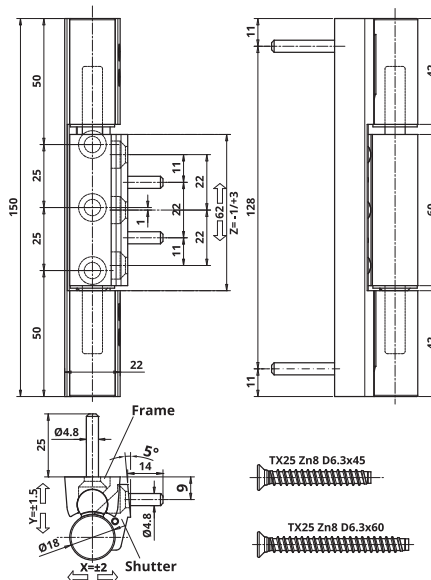




## ROLLACTA R3 090

3-part hinge - H 9 - inclined 5° - DIN left



Grey (9F)



CODE	FINISHING	WEIGHT	Pcs / Box	PRICE PCS.
 <b>R30900S59F02</b> Complete hinge	Grey (9F)	538,1 gr	9* 3 x 3 (Box x pcs. Each)	€ 41,50
 <b>R30900S5PI02</b> Complete hinge	White (RAL 9016)	538,1 gr	9* 3 x 3 (Box x pcs. Each)	€ 41,50



\*Each box includes: 3 complete hinges, 3 caps kit, 9 screws T25 Ø6.3x60 to be used with the shutter part and 9 Screws T25 Ø6.3x45 to be used with the frame part.



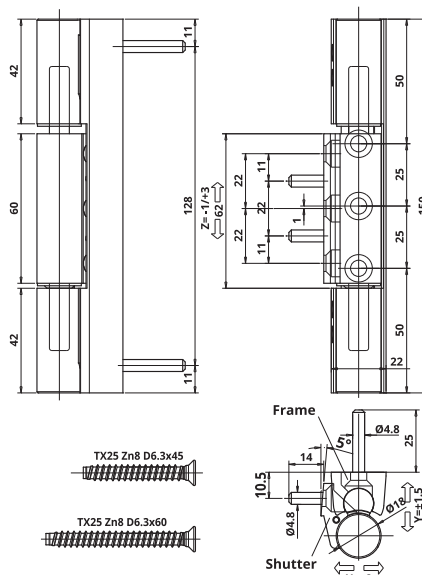




## ROLLACTA R3 105

3-part hinge - H 10,5 - inclined 5° - DIN right




Grey (9F)



CODE	FINISHING	WEIGHT	Pcs / Box	PRICE PCS.
 <b>R31050D59F02</b> Complete hinge	Grey (9F)	554,1 gr	9* 3 x 3 (Box x pcs. Each)	€ 41,50
 <b>R31050D5PI02</b> Complete hinge	White (RAL 9016)	554,1 gr	9* 3 x 3 (Box x pcs. each)	On request

**TOOLS**



**MR A**  
Aluminium jig for  
overlay doors  
Page 188

\*Each box includes: 3 complete hinges, 3 caps kit, 9 screws T25 Ø6.3x60 to be used with the shutter part and 9 Screws T25 Ø6.3x45 to be used with the frame part.

**Short link**



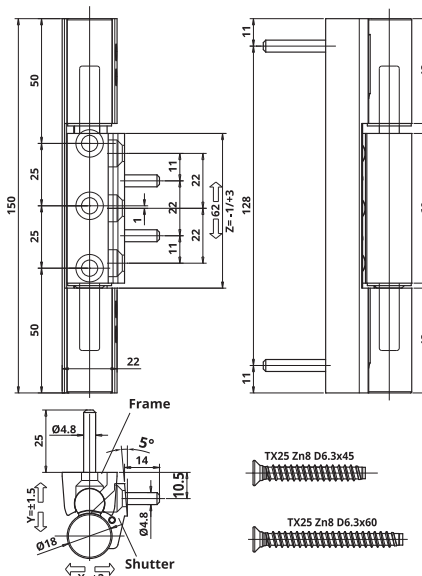
www.otlav.it - ROLLACTA R3 105



## ROLLACTA R3 105

3-part hinge - H 10,5 - inclined 5° - DIN left



Grey (9F)



CODE	FINISHING	WEIGHT	Pcs / Box	PRICE PCS.
 <b>R31050S59F02</b> Complete hinge	Grey (9F)	554,1 gr	9* 3 x 3 (Box x pcs. Each)	€ 41,50
 <b>R31050S5PI02</b> Complete hinge	White (RAL 9016)	554,1 gr	9* 3 x 3 (Box x pcs. each)	On request

**TOOLS**



**MR A**  
Aluminium jig for  
overlay doors  
Page 188

\*Each box includes: 3 complete hinges, 3 caps kit, 9 screws T25 Ø6.3x60 to be used with the shutter part and 9 Screws T25 Ø6.3x45 to be used with the frame part.

**Short link**



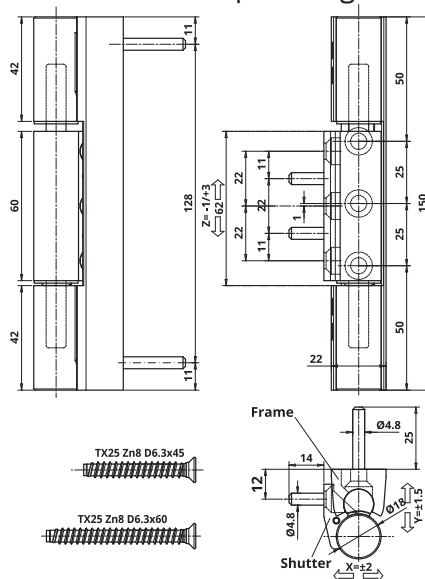
www.otlav.it - ROLLACTA R3 105

# ROLLACTA R3 120



3-part hinge - H 12 - DIN right



White (RAL 9016)



PVC

CODE	FINISHING	WEIGHT	Pcs / Box	PRICE PCS.
 <b>R31200D09F02</b> Complete hinge	Grey (9F)	563,3 gr	9* 3 x 3 (Box x pcs. Each)	€ 41,50
 <b>R31200D0PI02</b> Complete hinge	White (RAL 9016)	563,3 gr	9* 3 x 3 (Box x pcs. Each)	€ 41,50

**TOOLS**



**MR A**  
Aluminium jig for  
overlay doors  
Page 188

\*Each box includes: 3 complete hinges, 3 caps kit, 9 screws T25 Ø6.3x60 to be used with the shutter part and 9 Screws T25 Ø6.3x45 to be used with the frame part.

**Short link**



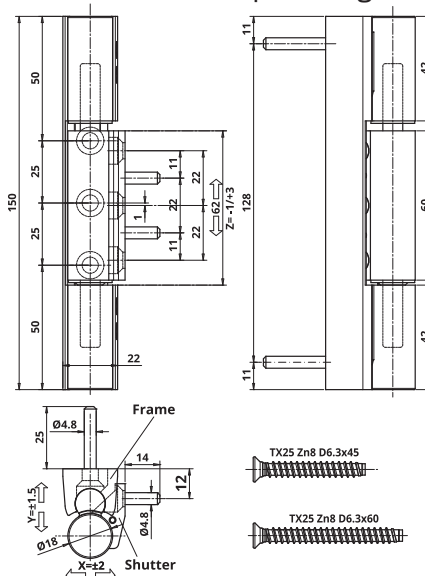
[www.otlav.it - ROLLACTA R3 120](http://www.otlav.it - ROLLACTA R3 120)



# ROLLACTA R3 120

3-part hinge - H 12 - DIN left



Grey (9F)



CODE	FINISHING	WEIGHT	Pcs / Box	PRICE PCS.
 <b>R31200S09F02</b> Complete hinge	Grey (9F)	563,3 gr	9* 3 x 3 (Box x pcs. Each)	€ 41,50
 <b>R31200S0PI02</b> Complete hinge	White (RAL 9016)	563,3 gr	9* 3 x 3 (Box x pcs. Each)	€ 41,50

**TOOLS**



**MR A**  
Aluminium jig for  
overlay doors  
Page 188

\*Each box includes: 3 complete hinges, 3 caps kit, 9 screws T25 Ø6.3x60 to be used with the shutter part and 9 Screws T25 Ø6.3x45 to be used with the frame part.

**Short link**



[www.otlav.it - ROLLACTA R3 120](http://www.otlav.it - ROLLACTA R3 120)



# STAINLESS STEEL

## Hinges

STAINLESS STEEL

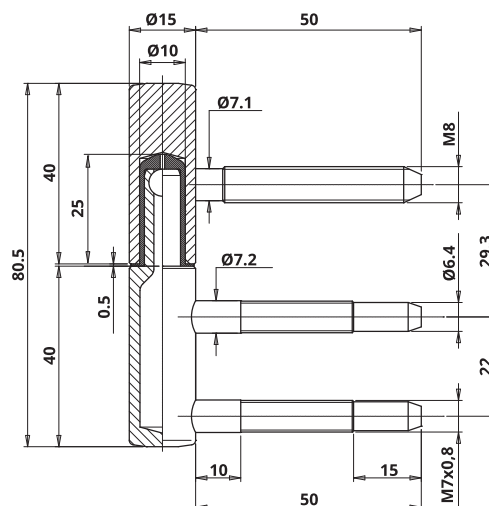




# 101 Ø15

Stainless steel hinge - male part with nylon bush and 2 pins



Matt Stainless Steel



CODE	FINISHING	WEIGHT	Pcs / Box	PRICE PCS.	TOT.
 <b>CF100150IM02</b> Female part	Matt Stainless Steel	52,3 gr	240 4 x 60 (Box x pcs. each)	€ 6,747	€ 16,387
 <b>CG101150IM03</b> Male part	Matt Stainless Steel	65,7 gr	200 4 x 50 (Box x pcs. each)	€ 9,641	

Short link



www.otlav.it - 101 Ø15

**335 Ø15**

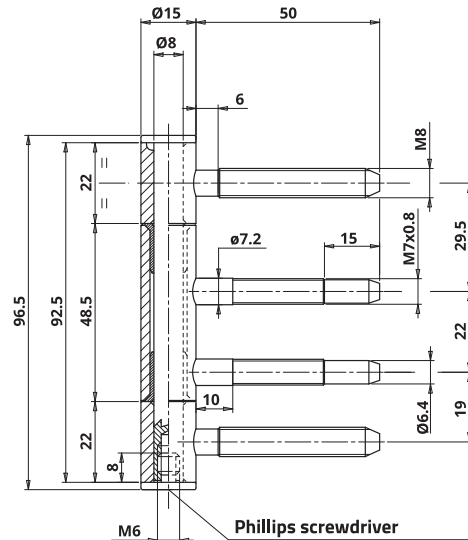
3-bushes stainless steel hinge, central part with pins





Matt Stainless Steel



2 7 3 1 1 5 0 10



CODE	FINISHING	WEIGHT	Pcs / Box	PRICE PCS.
 <b>CE022150IM02</b> 2 lateral bushes with pivot and head	Matt Stainless Steel	116,5 gr	160 4 x 40 (Box x pcs. each)	On request
 <b>CE048146IM02</b> Bush with two pins	Matt Stainless Steel	61,91 gr	200 4 x 50 (Box x pcs. each)	On request

Short link



www.otlav.it - 335 Ø15

**335 Ø15**

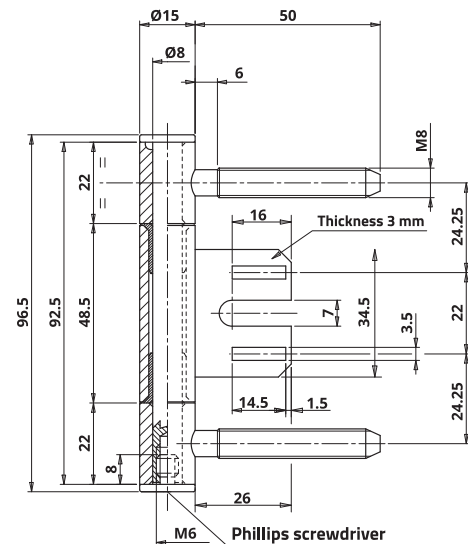
3-bushes stainless steel hinge, central part with plate





Matt Stainless Steel



2 7 3 1 1 5 0 10



CODE	FINISHING	WEIGHT	Pcs / Box	PRICE PCS.
 <b>CE022150IM02</b> 2 lateral bushes with pivot and head	Matt Stainless Steel	116,5 gr	160 4 x 40 (Box x pcs. each)	On request
 <b>CE047146IM02</b> Bush with plate	Matt Stainless Steel	49,2 gr	200 4 x 50 (Box x pcs. each)	On request

Short link



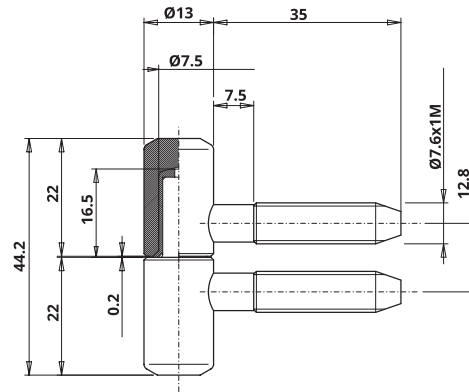
www.otlav.it - 335 Ø15

## 355 Ø13

Stainless steel hinge with nylon bush




Matt Stainless Steel




CODE	FINISHING	WEIGHT	Pcs / Box	PRICE PCS.
 <b>CI355130IM02</b> Complete hinge	Matt Stainless Steel	65,05 gr	80 2 x 40(Box x pcs. each)	€ 9,287

**TOOLS**



**MA701130G018**  
PVC toolkit for overlay doors  
Page 172



**MC701130G060**  
PVC jig for overlay doors  
Page 177

Short link



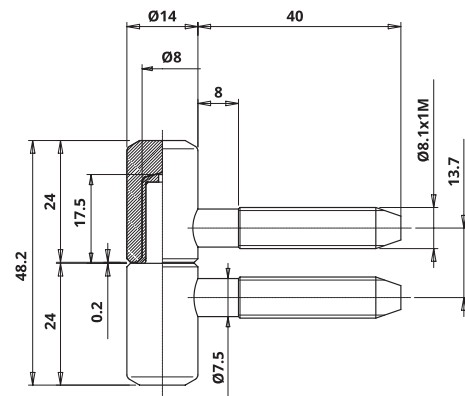
www.otlav.it - 355 Ø13

## 355 Ø14

Stainless steel hinge with nylon bush



Matt Stainless Steel



CODE	FINISHING	WEIGHT	Pcs / Box	PRICE PCS.
 <b>CI355140IM02</b> Complete hinge	Matt Stainless Steel	82,8 gr	80 2 x 40(Box x pcs. each)	€ 10,178

**TOOLS**



**MA700140G002**  
Wooden toolkit for flush doors  
Page 170



**MA701140G011**  
PVC toolkit for overlay doors  
Page 172



**MC701140G060**  
PVC jig for overlay doors  
Page 177

Short link



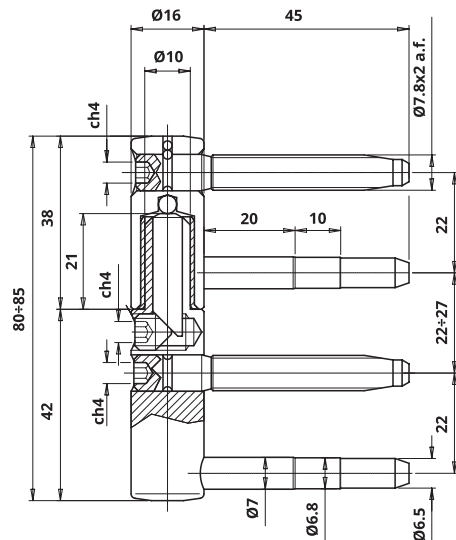
www.otlav.it - 355 Ø14

## EXACTA 495 Ø16

3D adjustable hinge - stainless steel - with nylon bush - pins 7,8x45 mm



Matt Stainless Steel



STAINLESS STEEL

CODE	FINISHING	WEIGHT	Pcs / Box	PRICE PCS.
 <b>CI495160IM02</b> Complete hinge	Matt Stainless Steel	159,77 gr	120 8 x 15(Box x pcs. each)	€ 30,238

**TOOLS**

- MA700160G006**  
PVC toolkit for flush doors  
Page 170
- MA701160G035**  
PVC toolkit for overlay doors  
Page 172
- MA801160G028**  
Rod  
Page 176
- MC701160G035**  
PVC jig for overlay doors  
Page 177

Short link

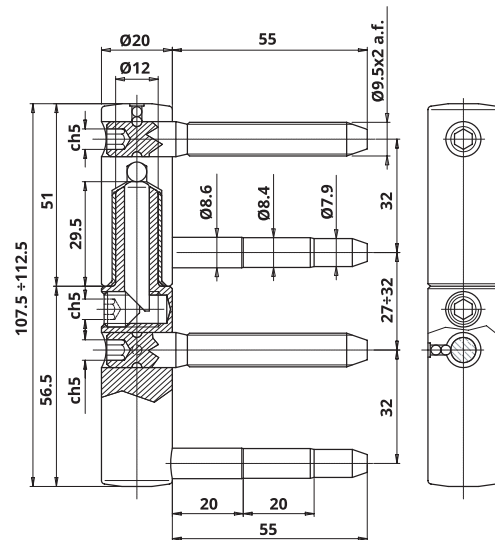
www.otlav.it - EXACTA 495 Ø16

## EXACTA 495 Ø20

3D adjustable hinge - stainless steel - with nylon bush - pins 9,5x55 mm



Matt Stainless Steel



CODE	FINISHING	WEIGHT	Pcs / Box	PRICE PCS.
 <b>CI495200IM02</b> Complete hinge	Matt Stainless Steel	331,79 gr	64 8 x 8(Box x pcs. each)	€ 57,40

**TOOLS**

- MA700200G010**  
Wooden toolkit for flush doors  
Page 171
- MA701200G014**  
PVC toolkit for overlay doors  
Page 172
- MC701200G009**  
PVC jig for overlay doors  
Page 177

Short link

www.otlav.it - EXACTA 495 Ø20



# DIN-NORM

Hinges for German profiles

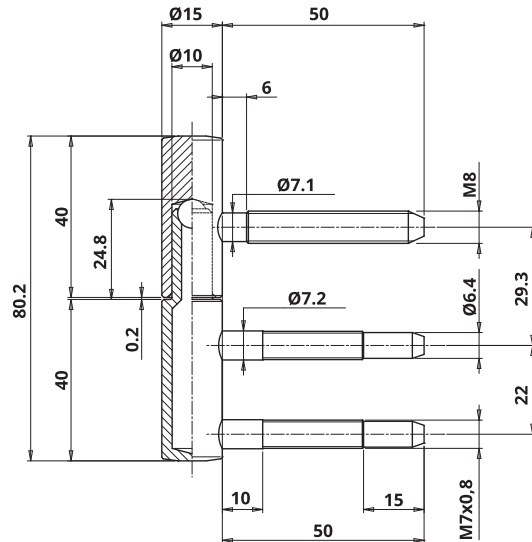




# 100 Ø15

## 3-pin hinge



Nickel Plated



CODE	FINISHING	WEIGHT	Pcs / Box	PRICE PCS.	Tot.
 <b>CF100150N007</b> Female part	Nickel Plated	52,3 gr	300 1 x 300 (Box x pcs. each)	€ 0,64	€ 1,578
 <b>CG100150N026</b> Male part	Nickel Plated	62 gr	200 1 x 200 (Box x pcs. each)	€ 0,938	

Short link



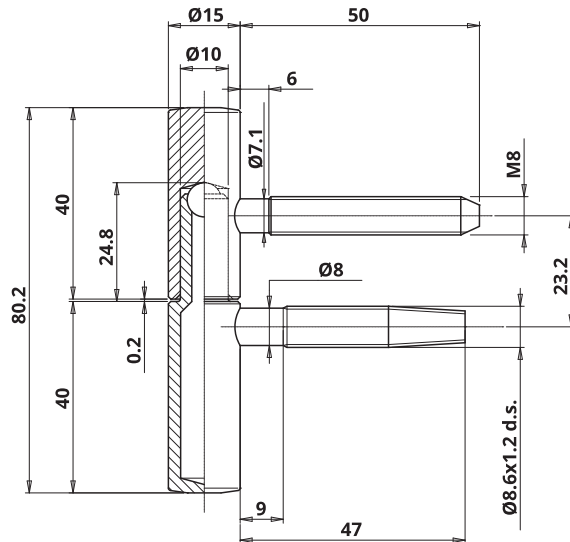
www.otlav.it - 100 Ø15



# 100 Ø15

## 2-pin hinge



Nickel Plated



CODE	FINISHING	WEIGHT	Pcs / Box	PRICE PCS.	Tot.
 <b>CF100150N007</b> Female part	Nickel Plated	52,3 gr	300 1 x 300 (Box x pcs. each)	€ 0,64	€ 1,543
 <b>CG100150N030</b> Male part	Nickel Plated	53 gr	300 1 x 300 (Box x pcs. each)	€ 0,903	

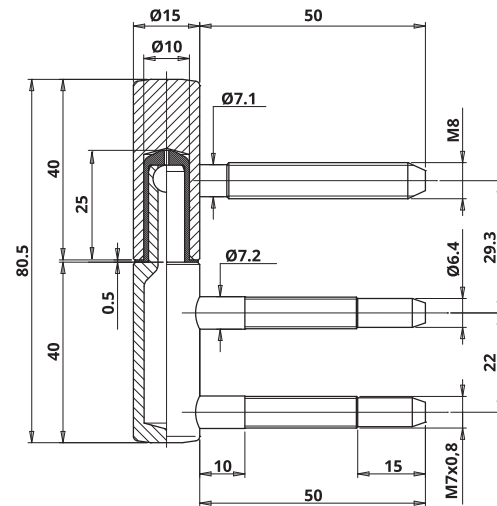
Short link



www.otlav.it - 100 Ø15



Matt Black



CODE	FINISHING	WEIGHT	Pcs / Box	PRICE PCS.	TOT.
 <b>CF1001509N20</b> Female part	Matt Black	52,3 gr	192 4 x 48 (Box x pcs. each)	€ 1,294	€ 2,874
 <b>CG1011509N20</b> Male part	Matt Black	65,7 gr	192 4 x 48 (Box x pcs. each)	€ 1,58	
 <b>CF100150H004</b> Female part	Zinc Plated	52,3 gr	300 1 x 300 (Box x pcs. each)	€ 0,505	€ 1,45
 <b>CG101150H003</b> Male part	Zinc Plated	65,7 gr	200 1 x 200 (Box x pcs. each)	€ 0,946	
 <b>CF100150IM02</b> Female part	Matt Stainless Steel	52,3 gr	240 4 x 60 (Box x pcs. each)	€ 6,747	€ 16,387
 <b>CG101150IM03</b> Male part	Matt Stainless Steel	65,7 gr	200 4 x 50 (Box x pcs. each)	€ 9,641	
 <b>CF100150N007</b> Female part	Nickel Plated	52,3 gr	300 1 x 300 (Box x pcs. each)	€ 0,64	€ 1,683
 <b>CG101150N011</b> Male part	Nickel Plated	65,7 gr	200 1 x 200 (Box x pcs. each)	€ 1,043	
 <b>CF100150N402</b> Female part	Matt Nickel Plated	52,3 gr	300 1 x 300 (Box x pcs. each)	€ 1,70	€ 3,505
 <b>CG101150N406</b> Male part	Matt Nickel Plated	65,7 gr	200 1 x 200 (Box x pcs. each)	€ 1,806	

Short link



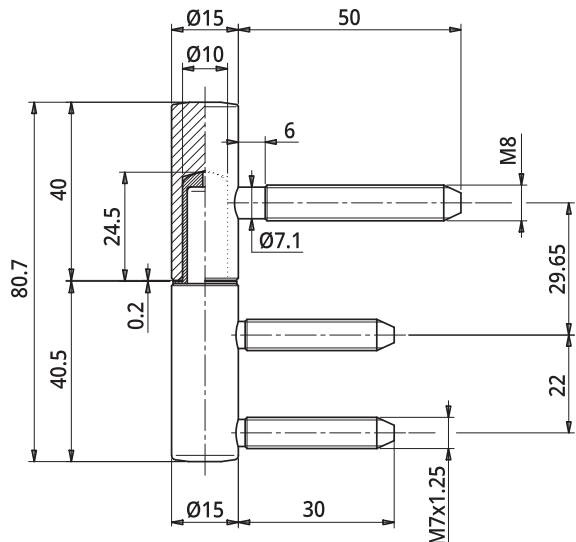
www.otlav.it - 101 Ø15



## 101 Ø15

3-pin hinge - male part with nylon bush



Nickel Plated



CODE	FINISHING	WEIGHT	Pcs / Box	PRICE PCS.	Tot.
 <b>CF100150N007</b> Female part	Nickel Plated	52,3 gr	300 1 x 300 (Box x pcs. each)	€ 0,64	€ 1,706
 <b>CG101150N025</b> Male part	Nickel Plated	56 gr	200 1 x 200 (Box x pcs. each)	€ 1,066	

Short link



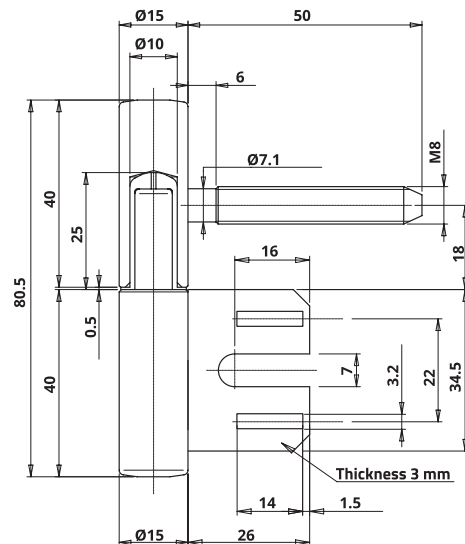
www.otlav.it - 101 Ø15



## 102 Ø15

Hinge with male part with plate and nylon bush



Nickel Plated



CODE	FINISHING	WEIGHT	Pcs / Box	PRICE PCS.	Tot.
 <b>CF100150N007</b> Female part	Nickel Plated	52,3 gr	300 1 x 300 (Box x pcs. each)	€ 0,64	€ 2,132
 <b>CG102150N021</b> Male part with plate	Nickel Plated	56,73 gr	250 1 x 250 (Box x pcs. each)	€ 1,492	

Short link



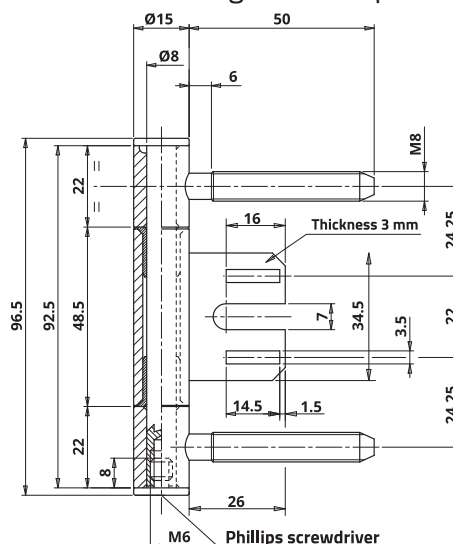
www.otlav.it - 102 Ø15



335 Ø15

3-bushes stainless steel hinge, central part with plate



Matt Stainless Steel



CODE	FINISHING	WEIGHT	Pcs / Box	PRICE PCS.
 <b>CE022150IM02</b> 2 lateral bushes with pivot and head	Matt Stainless Steel	116,5 gr	160 4 x 40 (Box x pcs. each)	On request
 <b>CE047146IM02</b> Bush with plate	Matt Stainless Steel	49,2 gr	200 4 x 50 (Box x pcs. each)	On request

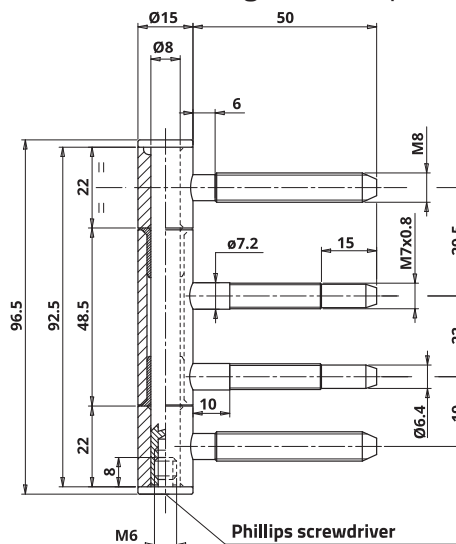




335 Ø15

3-bushes stainless steel hinge, central part with pins



Matt Stainless Steel



CODE	FINISHING	WEIGHT	Pcs / Box	PRICE PCS.
 <b>CE022150IM02</b> 2 lateral bushes with pivot and head	Matt Stainless Steel	116,5 gr	160 4 x 40 (Box x pcs. each)	On request
 <b>CE048146IM02</b> Bush with two pins	Matt Stainless Steel	61,91 gr	200 4 x 50 (Box x pcs. each)	On request



# 335 Ø15

3-bushes hinge, central part with pins



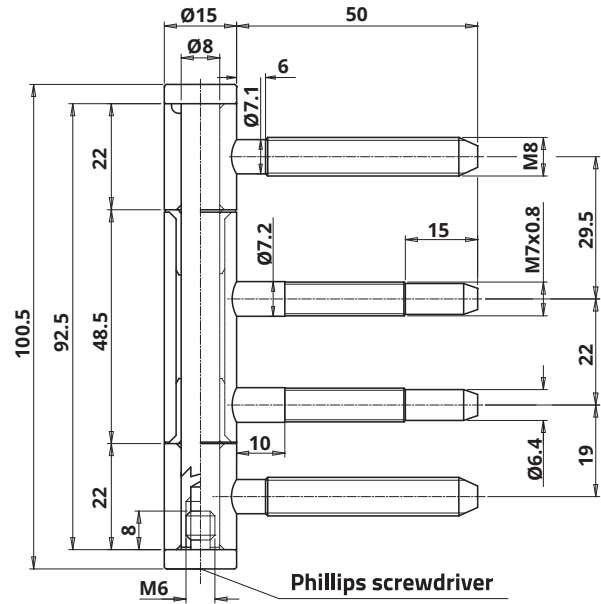
Nickel Plated



2 7 3 1 1 \* 0 10

\*Depending on the finish:

Matt Black	4
Polished Gold	2
Nickel Plated	1
Matt Nickel Plated	1



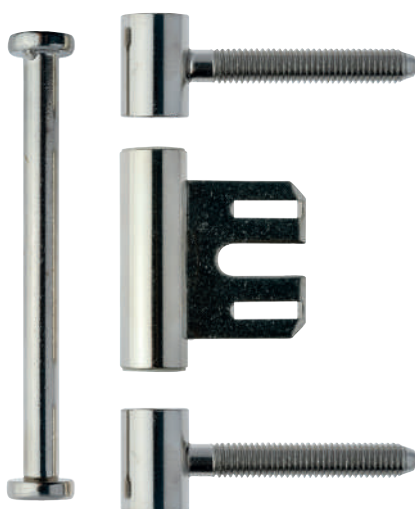
Phillips screwdriver

CODE	FINISHING	WEIGHT	Pcs / Box	PRICE PCS.
 <b>CI3351509N21</b> Complete hinge	Matt Black	175,68 gr	80 4 x 20 (Box x pcs. each)	€ 8,425
 <b>CI335150K116</b> Complete hinge	Polished Gold	175,68 gr	100 4 x 25 (Box x pcs. each)	€ 10,001
 <b>CI335150N027</b> Complete hinge	Nickel Plated	175,68 gr	100 4 x 25 (Box x pcs. each)	€ 3,574
 <b>CI335150N408</b> Complete hinge	Matt Nickel Plated	175,68 gr	100 4 x 25 (Box x pcs. each)	€ 5,717

Short link



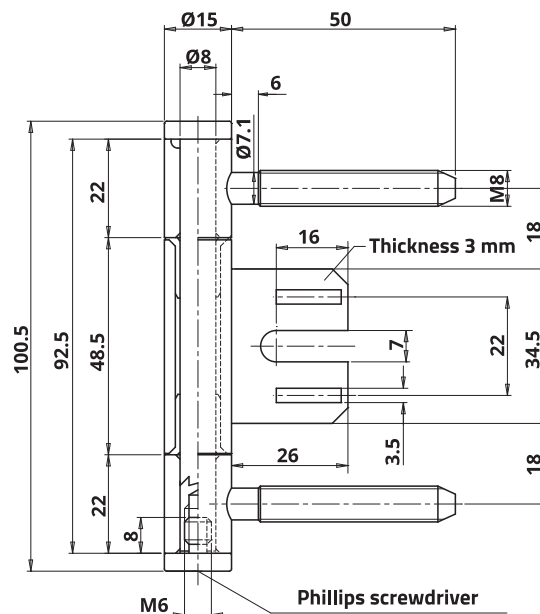
www.otlav.it - 335 Ø15





Nickel Plated



2 7 3 1 1 1 0 10



DIN-NORM

CODE	FINISHING	WEIGHT	Pcs / Box	PRICE PCS.
 <b>CI335150N029</b> Complete hinge	Nickel Plated	154,08 gr	100 4 x 25 (Box x pcs. each)	€ 3,471
 <b>CI3351509N04</b> Complete hinge	Matt Black	154,08 gr	100 4 x 25 (Box x pcs. each)	€ 8,425



www.otlav.it - 335 Ø15

# 335 Ø15

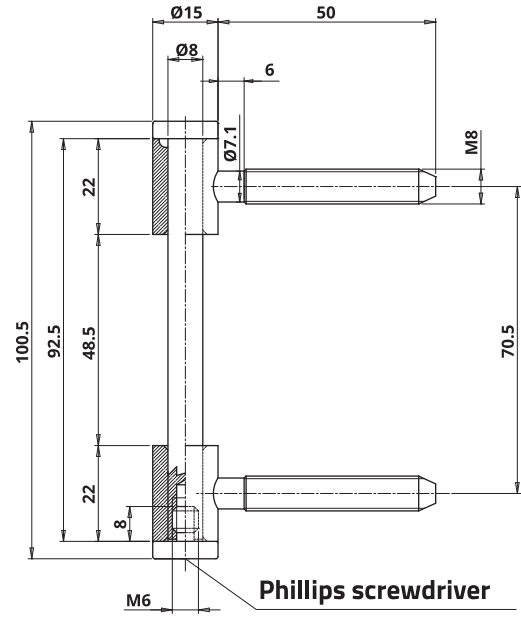
External bushes with pivot and head for art. 335 Ø15




Nickel Plated



2 7 3 1 1 1 0 10



Phillips screwdriver

CODE	FINISHING	WEIGHT	Pcs / Box	PRICE PCS.
 <b>CI335150N017</b>	Nickel Plated	114,4 gr	160 4 x 40 (Box x pcs. each)	€ 2,326

Short link



www.otlav.it - 335 Ø15

**341 Ø15**

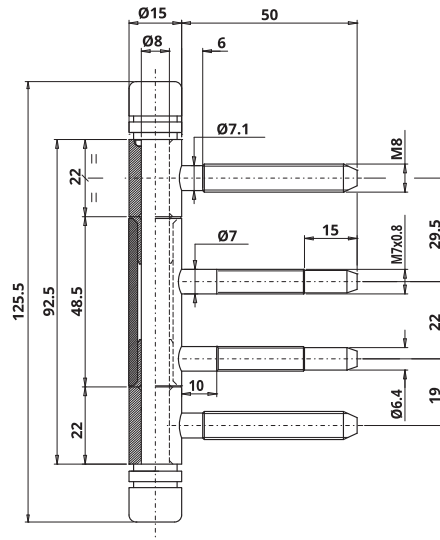
3-bushes hinge, central part with pins



Matt Nickel Plated



2 7 3 1 1 1 0 10



CODE	FINISHING	WEIGHT	Pcs / Box	PRICE PCS.
 <b>CI341150N404</b> Complete hinge	Matt Nickel Plated	230 gr	100 4 x 25(Box x pcs. each)	€ 9,631

Short link



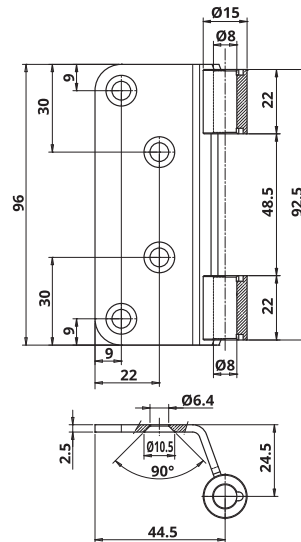
www.otlav.it - 341 Ø15


**CE 335 Ø15**

Plate for flush doors for art. 335 Ø15



Nickel Plated



CODE	FINISHING	WEIGHT	Pcs / Box	PRICE PCS.
 <b>CE335150N002</b>	Nickel Plated	128,8 gr	100 4 x 25(Box x pcs. each)	On request

Short link

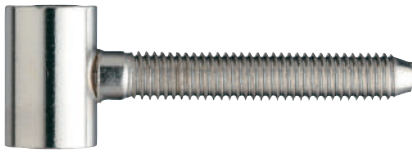


www.otlav.it - CE 335 Ø15

DIN-NORM | 91

## CE 022 Ø15

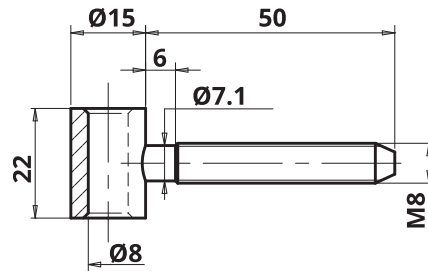
External bush with 50 mm pin for art. 335 Ø15



Nickel Plated



2 7 3 1 1 1 0 10



CODE	FINISHING	WEIGHT	Pcs / Box	PRICE PCS.
 <b>CE022146N002</b>	Nickel Plated	35,63 gr	400 1 x 400 (Box x pcs. each)	€ 0,581

Short link



www.otlav.it - CE 022 Ø15

## CE 047 Ø15

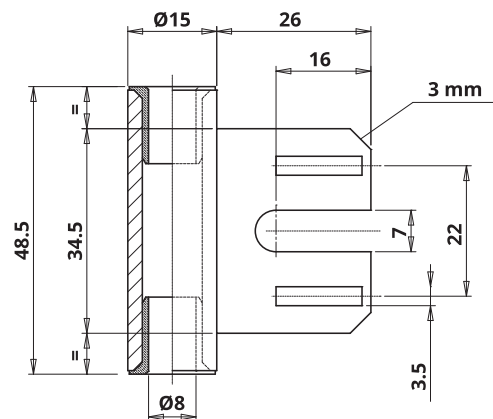
Central bush with plate and nylon ring for art. 335 Ø15




Nickel Plated



2 7 3 1 1 1 0 10



CODE	FINISHING	WEIGHT	Pcs / Box	PRICE PCS.
 <b>CE047146N008</b>	Nickel Plated	49,2 gr	300 1 x 300 (Box x pcs. each)	€ 1,24

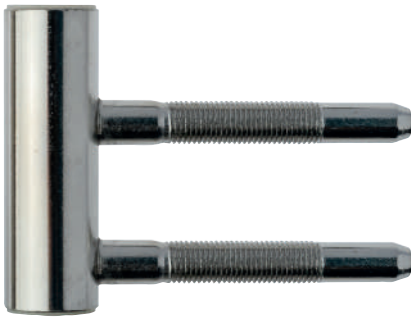
Short link



www.otlav.it - CE 047 Ø15

## CE 048 Ø15

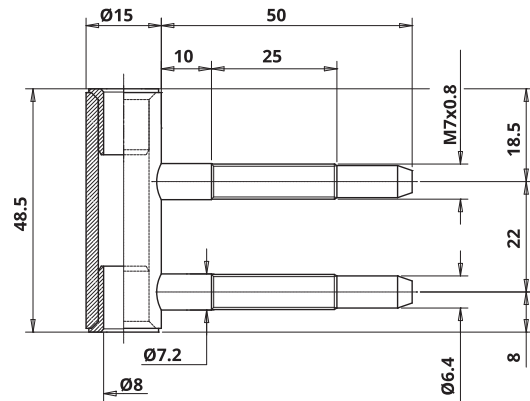
Central bush with nylon ring and two 50 mm pins for art. 335 Ø15



Nickel Plated



2 7 3 1 1 1 0 10



CODE	FINISHING	WEIGHT	Pcs / Box	PRICE PCS.
 <b>CE048146N002</b>	Nickel Plated	61,91 gr	200 1 x 200 (Box x pcs. each)	€ 1,489

Short link



www.otlav.it - CE 048 Ø15

## FP 096 Ø8

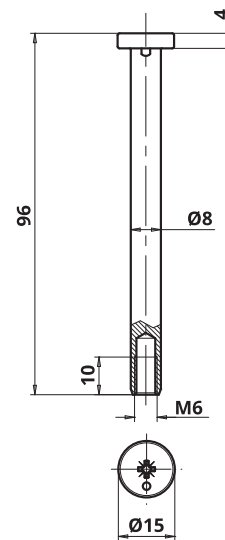
Pivot for 335 Ø15



Nickel Plated



2 7 3 1 1 1 0 10



CODE	FINISHING	WEIGHT	Pcs / Box	PRICE PCS.
 <b>FP096080N004</b>	Nickel Plated	38,6 gr	400 1 x 400 (Box x pcs. each)	€ 0,922

Short link



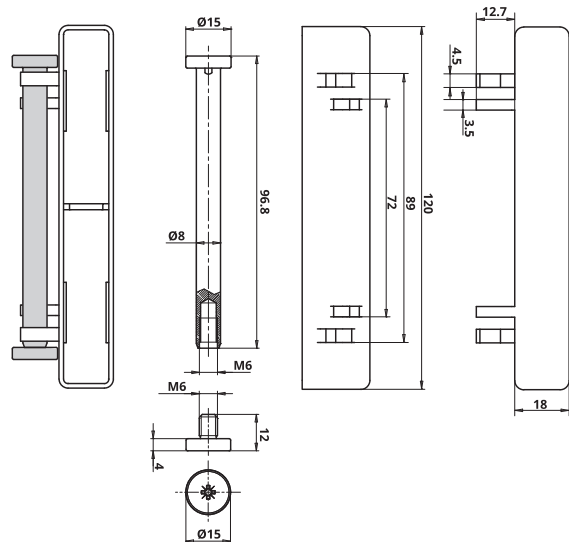
www.otlav.it - FP 096 Ø8

## FP 096 Ø8

Pivot for hinge 335 Ø15, complete with protective white box for the bushes installed on the door.



Nickel Plated



CODE	FINISHING	WEIGHT	Pcs / Box	PRICE PCS.
<b>FP096080N008</b>	Nickel Plated	61,25 gr	80 1 x 80(Box x pcs. each)	On request

Short link



www.otlav.it - FP 096 Ø8

## TE 012 Ø15

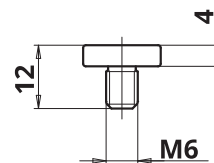
Head for art. 335 Ø15



Nickel Plated



2 7 3 1 1 1 0 10



CODE	FINISHING	WEIGHT	Pcs / Box	PRICE PCS.
<b>TE012150N005</b>	Nickel Plated	6,6 gr	3200 8 x 400(Box x pcs. each)	€ 0,138

Short link



www.otlav.it - TE 012 Ø15

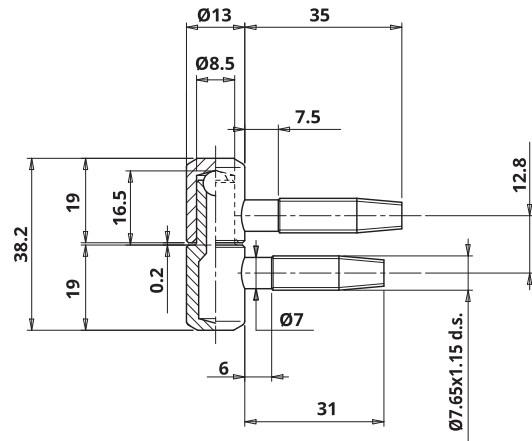
# Hinges for **WOOD**







## 030 Ø13



Zinc Plated



CODE	FINISHING	WEIGHT	Pcs / Box	PRICE PCS.	TOT.
 <b>CF030130H021</b> Female part	Zinc Plated	20,5 gr	800 4 x 200 (Box x pcs. each)	€ 0,234	€ 0,526
 <b>CG030130H023</b> Male part	Zinc Plated	25,7 gr	800 4 x 200 (Box x pcs. each)	€ 0,292	
 <b>CF030130H037</b> Female part	Zinc Plated	20,5 gr	740 1 x 740 (Box x pcs. each)	€ 0,231	€ 0,52
 <b>CG030130H031</b> Male part	Zinc Plated	25,7 gr	740 1 x 740 (Box x pcs. each)	€ 0,289	

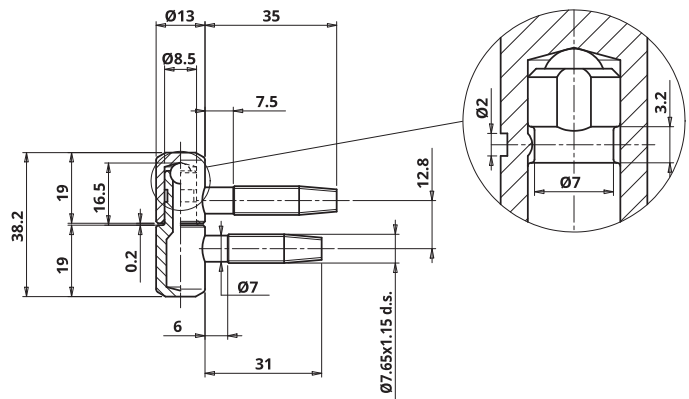
<b>TOOLS</b>  <b>MA701130G018</b> PVC toolkit for overlay doors Page 172	 <b>MC701130G060</b> PVC jig for overlay doors Page 177	<b>CAPS</b>  <b>826 Ø14</b> Brass cap Page 191	 <b>847 Ø14</b> Aluminium cap Page 203	 <b>849 Ø14</b> Aluminium cap Page 204	<b>Short link</b>  www.otlav.it - 030 Ø13



## 030 Ø13

### Hinge WASISTAS



Zinc Plated

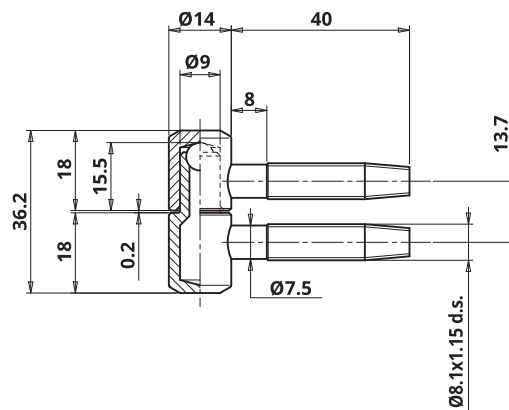




CODE	FINISHING	WEIGHT	Pcs / Box	PRICE PCS.	TOT.
 <b>CF030130H026</b> Female part	Zinc Plated	20,7 gr	800 4 x 200 (Box x pcs. each)	€ 0,363	€ 0,847
 <b>CG030130H026</b> Male part	Zinc Plated	24,9 gr	800 4 x 200 (Box x pcs. each)	€ 0,484	

<b>TOOLS</b>  <b>MA701130G018</b> PVC toolkit for overlay doors Page 172	 <b>MC701130G060</b> PVC jig for overlay doors Page 177	<b>CAPS</b>  <b>826 Ø14</b> Brass cap Page 191	 <b>847 Ø14</b> Aluminium cap Page 203	 <b>849 Ø14</b> Aluminium cap Page 204	<b>Short link</b>  www.otlav.it - 030 Ø13



Zinc Plated



CODE	FINISHING	WEIGHT	Pcs / Box	PRICE PCS.	TOT.
 <b>CF030140H002</b> Female part	Zinc Plated	25,07 gr	640 4 x 160 (Box x pcs. each)	€ 0,302	€ 0,677
 <b>CG030140H002</b> Male part	Zinc Plated	30,71 gr	640 4 x 160 (Box x pcs. each)	€ 0,374	

TOOLS



**MA700140G002**  
Wooden toolkit  
for flush doors  
Page 170



**MA701140G011**  
PVC toolkit for  
overlay doors  
Page 172



**MC701140G060**  
PVC jig for overlay  
doors  
Page 177

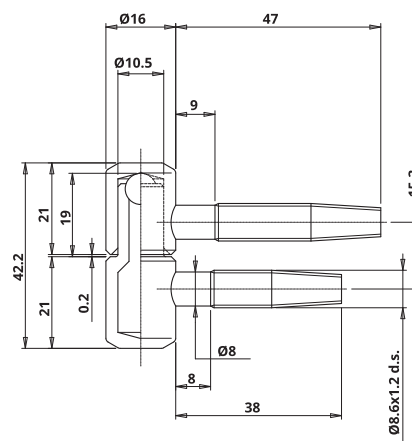
Short link





www.otlav.it - 030 Ø14



Zinc Plated



CODE	FINISHING	WEIGHT	Pcs / Box	PRICE PCS.	TOT.
 <b>CF030160H027</b> Female part	Zinc Plated	35,64 gr	440 4 x 110 (Box x pcs. each)	€ 0,368	€ 0,847
 <b>CG030160H027</b> Male part	Zinc Plated	44,28 gr	440 4 x 110 (Box x pcs. each)	€ 0,479	

TOOLS



**MC701160G060**  
PVC jig for overlay  
doors  
Page 177

CAPS



**815 Ø17,5**  
Nylon cap  
Page 191

Short link



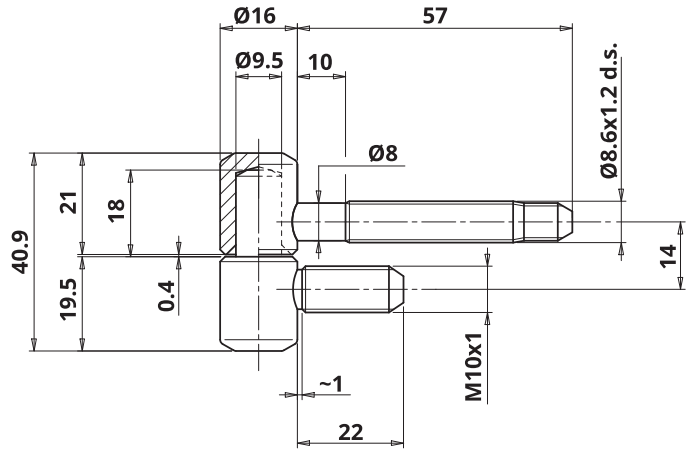
www.otlav.it - 030 Ø16



## 031 Ø16

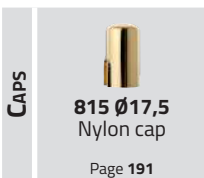
Hinge - female pin 8,6x57 mm - male pin M10x22 mm



Zinc Plated



CODE	FINISHING	WEIGHT	Pcs / Box	PRICE PCS.	Tot.
 <b>CF031160H006</b> Female part	Zinc Plated	42,95 gr	320 4 x 80 (Box x pcs. each)	€ 0,51	€ 1,143
 <b>CG031160H006</b> Male part	Zinc Plated	50,87 gr	390 1 x 390 (Box x pcs. each)	€ 0,633	

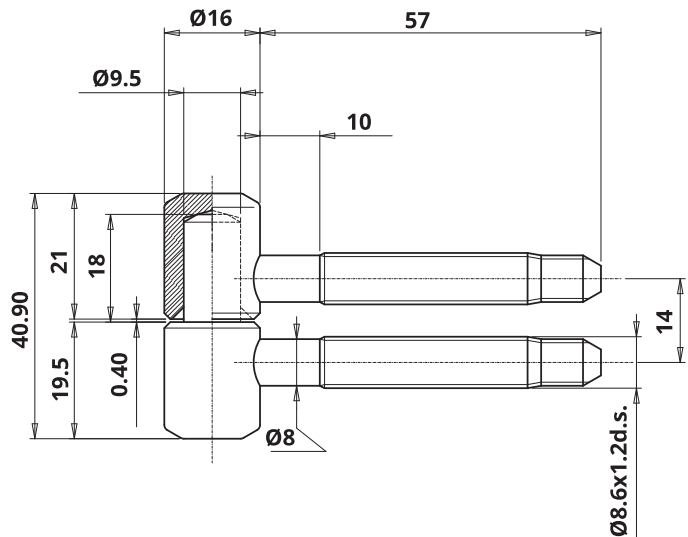




## 031 Ø16

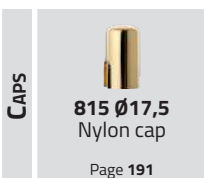
Hinge - pins 8,6x57 mm



Zinc Plated

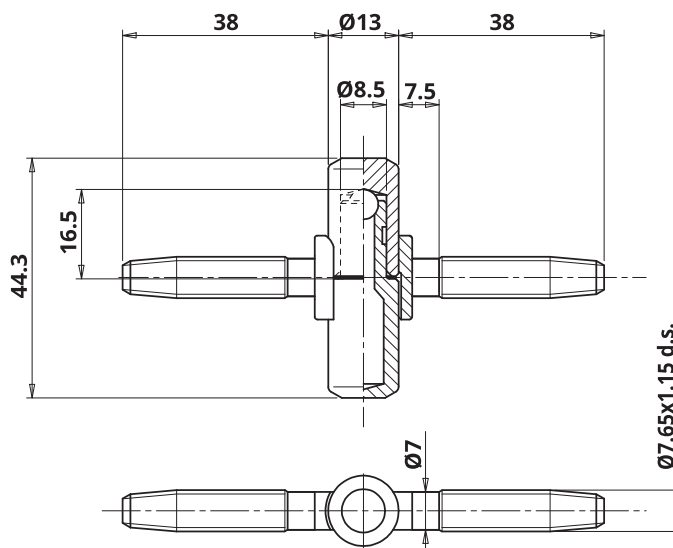






CODE	FINISHING	WEIGHT	Pcs / Box	PRICE PCS.	Tot.
 <b>CF031160H006</b> Female part	Zinc Plated	42,95 gr	320 4 x 80 (Box x pcs. each)	€ 0,51	€ 1,231
 <b>CG031160H008</b> Male part	Zinc Plated	60,44 gr	320 4 x 80 (Box x pcs. each)	€ 0,722	

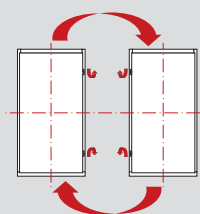




Nickel Plated



CODE	FINISHING	WEIGHT	Pcs / Box	PRICE PCS.	TOT.
 <b>CF050130H011</b> Female part	Zinc Plated	25,72 gr	600 1 x 600 (Box x pcs. each)	€ 0,89	€ 1,931
 <b>CG050130H011</b> Male part	Zinc Plated	30,6 gr	600 1 x 600 (Box x pcs. each)	€ 1,041	
 <b>CF050130H012</b> Female part on loader	Zinc Plated	25,72 gr	342 1 x 342 (Box x pcs. each)	€ 0,919	€ 1,98
 <b>CG050130H012</b> Male part on loader	Zinc Plated	30,6 gr	342 1 x 342 (Box x pcs. each)	€ 1,061	
 <b>CF050130NN04</b> Female part	Nickel Plated	27,37 gr	600 1 x 600 (Box x pcs. each)	€ 0,992	€ 2,16
 <b>CG050130NN06</b> Male part	Nickel Plated	32,28 gr	600 1 x 600 (Box x pcs. each)	€ 1,167	
 <b>CF0501300006</b> Female part	Brass Plated	27,37 gr	600 1 x 600 (Box x pcs. each)	€ 1,001	€ 2,181
 <b>CG0501300008</b> Male part	Brass Plated	30,8 gr	600 1 x 600 (Box x pcs. each)	€ 1,18	



### HINGES FOR REVERSIBLE DOORS

Our reversible-door hinge system allows to manage inventory efficiently by using just one panel type. These hinges enable installers to choose the door's left- or right-hand opening on-site, simplifying assembly and reducing complexity.



CAPS	 <b>826 Ø14</b> Brass cap Page 191	 <b>847 Ø14</b> Aluminium cap Page 203	 <b>849 Ø14</b> Aluminium cap Page 204
------	--	--	--

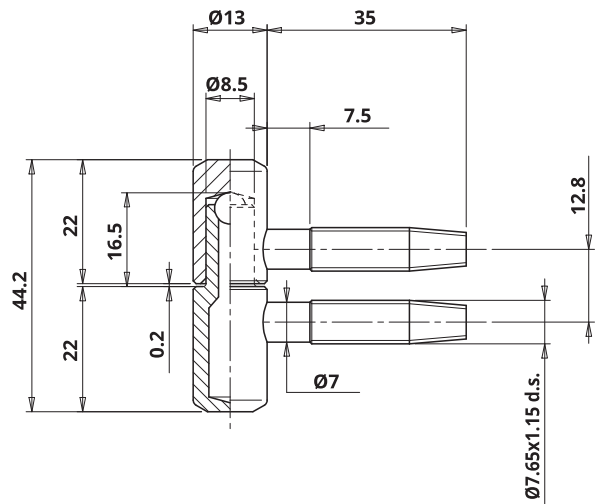
Short link























www.otlav.it - 050 Ø13

# 055 Ø13



Nickel Plated



CODE	FINISHING	WEIGHT	Pcs / Box	PRICE PCS.	TOT.
 <b>CF0551309N02</b> Female part	Matt Black	23,41 gr	640 4 x 160 (Box x pcs. each)	€ 0,573	€ 1,258
 <b>CG0551309N02</b> Male part	Matt Black	28,37 gr	640 4 x 160 (Box x pcs. each)	€ 0,685	
 <b>CF055130BN12</b> Female part	Bronze Plated	23,68 gr	640 4 x 160 (Box x pcs. each)	€ 0,31	€ 0,682
 <b>CG055130BN12</b> Male part	Bronze Plated	28,58 gr	640 4 x 160 (Box x pcs. each)	€ 0,372	
 <b>CI055130BN09</b> Complete hinge	Bronze Plated	54 gr	400 4 x 100 (Box x pcs. each)	€ 0,701	
 <b>CF055130H010</b> Female part	Zinc Plated	23,41 gr	640 4 x 160 (Box x pcs. each)	On request	€ 1,258
 <b>CG055130H017</b> Male part	Zinc Plated	28,37 gr	640 4 x 160 (Box x pcs. each)	On request	
 <b>CF055130H011</b> Female part	Zinc Plated	23,41 gr	690 1 x 690 (Box x pcs. each)	€ 0,259	€ 0,569
 <b>CG055130H022</b> Male part	Zinc Plated	28,37 gr	690 1 x 690 (Box x pcs. each)	€ 0,31	
 <b>CF055130N005</b> Female part	Nickel Plated	23,14 gr	640 4 x 160 (Box x pcs. each)	€ 0,323	€ 0,71
 <b>CG055130N005</b> Male part	Nickel Plated	28,4 gr	640 4 x 160 (Box x pcs. each)	€ 0,387	
 <b>CF055130N014</b> Female part	Nickel Plated	23,14 gr	690 1 x 690 (Box x pcs. each)	€ 0,305	€ 0,687
 <b>CG055130N011</b> Male part	Nickel Plated	28,4 gr	690 1 x 690 (Box x pcs. each)	€ 0,381	
 <b>CI055130N004</b> Complete hinge	Nickel Plated	52 gr	400 4 x 100 (Box x pcs. each)	€ 0,703	
 <b>CF055130N402</b> Female part	Matt Nickel Plated	23,14 gr	640 4 x 160 (Box x pcs. each)	€ 0,771	€ 1,615
 <b>CG055130N402</b> Male part	Matt Nickel Plated	30,89 gr	640 4 x 160 (Box x pcs. each)	€ 0,845	
 <b>CF0551300008</b> Female part	Brass Plated	23,4 gr	640 4 x 160 (Box x pcs. each)	€ 0,37	€ 0,764
 <b>CG0551300010</b> Male part	Brass Plated	28,6 gr	640 4 x 160 (Box x pcs. each)	€ 0,394	
 <b>CI0551300009</b> Complete hinge	Brass Plated	52 gr	400 4 x 100 (Box x pcs. each)	€ 0,773	
 <b>CI055130T102</b> Complete hinge	Satinized Chrome Plated	52 gr	320 4 x 80 (Box x pcs. each)	On request	
 <b>CF055130V702</b> Female part	Satinized Silver	23,75 gr	640 4 x 160 (Box x pcs. each)	€ 0,573	€ 1,258
 <b>CG055130V702</b> Male part	Satinized Silver	28,58 gr	640 4 x 160 (Box x pcs. each)	€ 0,685	

**TOOLS**




**MA701130G018**  
PVC toolkit for overlay doors  
Page 172



**MC701130G060**  
PVC jig for overlay doors  
Page 177

**CAPS**



**826 Ø14**  
Brass cap  
Page 191



**847 Ø14**  
Aluminium cap  
Page 203



**849 Ø14**  
Aluminium cap  
Page 204

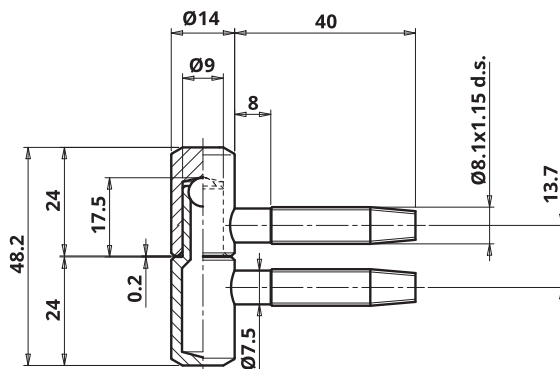
Short link



www.otlav.it - 055 Ø13



Brass Plated



CODE	FINISHING	WEIGHT	Pcs / Box	PRICE PCS.	TOT.
 <b>CF055140BN15</b> Female part	Bronze Plated	31,32 gr	520 4 x 130 (Box x pcs. each)	€ 0,392	€ 0,835
 <b>CG055140BN15</b> Male part	Bronze Plated	34,55 gr	520 4 x 130 (Box x pcs. each)	€ 0,444	
 <b>CI055140BN12</b> Complete hinge	Bronze Plated	66,46 gr	300 4 x 75 (Box x pcs. each)	€ 0,861	
 <b>CF055140H010</b> Female part	Zinc Plated	31,07 gr	550 1 x 550 (Box x pcs. each)	€ 0,32	€ 0,685
 <b>CG055140H008</b> Male part	Zinc Plated	34,44 gr	550 1 x 550 (Box x pcs. each)	€ 0,365	
 <b>CF055140H015</b> Female part on loader	Zinc Plated	31,07 gr	342 1 x 342 (Box x pcs. each)	€ 0,35	€ 0,744
 <b>CG055140H015</b> Male part on loader	Zinc Plated	34,44 gr	342 1 x 342 (Box x pcs. each)	€ 0,395	
 <b>CF055140H021</b> Female part	Zinc Plated	31,07 gr	520 4 x 130 (Box x pcs. each)	€ 0,314	€ 0,685
 <b>CG055140H021</b> Male part	Zinc Plated	34,44 gr	520 4 x 130 (Box x pcs. each)	€ 0,371	
 <b>CF055140N004</b> Female part	Nickel Plated	31,32 gr	520 4 x 130 (Box x pcs. each)	€ 0,393	€ 0,837
 <b>CG055140N008</b> Male part	Nickel Plated	34,55 gr	520 4 x 130 (Box x pcs. each)	€ 0,445	
 <b>CI055140N005</b> Complete hinge	Nickel Plated	66,46 gr	300 4 x 75 (Box x pcs. each)	€ 0,863	
 <b>CF055140N402</b> Female part	Matt Nickel Plated	31,32 gr	520 4 x 130 (Box x pcs. each)	€ 0,867	€ 1,755
 <b>CG055140N402</b> Male part	Matt Nickel Plated	34,55 gr	520 4 x 130 (Box x pcs. each)	€ 0,888	
 <b>CF0551400007</b> Female part	Brass Plated	31,32 gr	520 4 x 130 (Box x pcs. each)	€ 0,415	€ 0,886
 <b>CG0551400005</b> Male part	Brass Plated	34,55 gr	520 4 x 130 (Box x pcs. each)	€ 0,47	
 <b>CI0551400008</b> Complete hinge	Brass Plated	66,46 gr	300 4 x 75 (Box x pcs. each)	€ 0,914	
 <b>CI055140T102</b> Complete hinge	Satinized Chrome Plated	66,46 gr	240 4 x 60 (Box x pcs. each)	€ 2,696	
 <b>CF055140V702</b> Female part	Satinized Silver	31,4 gr	480 4 x 120 (Box x pcs. each)	€ 0,732	€ 1,558
 <b>CG055140V702</b> Male part	Satinized Silver	34,75 gr	480 4 x 120 (Box x pcs. each)	€ 0,826	

TOOLS



**MA700140G002**  
Wooden toolkit for  
flush doors  
Page 170



**MA701140G011**  
PVC toolkit for  
overlay doors  
Page 172



**MC701140G060**  
PVC jig for overlay  
doors  
Page 177

CAPS



**847 Ø15**  
Aluminium cap  
Page 203



**849 Ø15**  
Aluminium cap  
Page 204

Short link



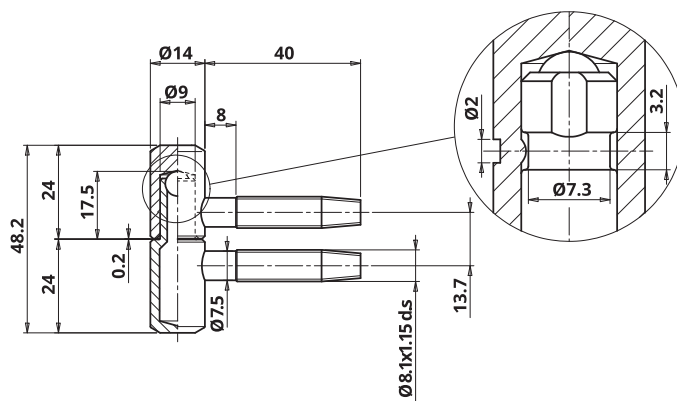
www.otlav.it - 055 Ø14



# 055 Ø14

## Hinge WASISTAS



Zinc Plated



CODE	FINISHING	WEIGHT	Pcs / Box	PRICE PCS.	TOT.
 <b>CF055140H014</b> Female part	Zinc Plated	31,4 gr	520 4 x 130 (Box x pcs. each)	€ 0,427	€ 0,974
 <b>CG055140H014</b> Male part	Zinc Plated	33,9 gr	520 4 x 130 (Box x pcs. each)	€ 0,546	

### TOOLS



**MA700140G002**  
Wooden toolkit  
for flush doors  
Page 170



**MA701140G011**  
PVC toolkit for  
overlay doors  
Page 172



**MC701140G060**  
PVC jig for overlay  
doors  
Page 177

### CAPS



**847 Ø15**  
Aluminium cap  
Page 203



**849 Ø15**  
Aluminium cap  
Page 204

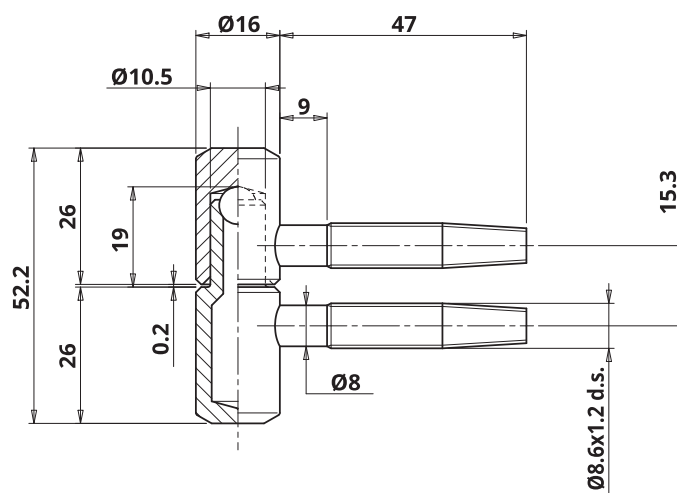
Short link









www.otlav.it - 055 Ø14



Nickel Plated



CODE	FINISHING	WEIGHT	Pcs / Box	PRICE PCS.	TOT.
 <b>CI055160BN04</b> Complete hinge	Bronze Plated	90,65 gr	200 4 x 50 (Box x pcs. each)	€ 1,197	
 <b>CF055160H004</b> Female part	Zinc Plated	43,46 gr	350 1 x 350 (Box x pcs. each)	€ 0,423	
 <b>CG055160H006</b> Male part	Zinc Plated	51,5 gr	350 1 x 350 (Box x pcs. each)	€ 0,555	€ 0,978
 <b>CF055160N006</b> Female part	Nickel Plated	43,78 gr	350 1 x 350 (Box x pcs. each)	€ 0,536	
 <b>CG055160N006</b> Male part	Nickel Plated	52,58 gr	350 1 x 350 (Box x pcs. each)	€ 0,691	€ 1,227
 <b>CI0551600003</b> Complete hinge	Brass Plated	90,65 gr	200 4 x 50 (Box x pcs. each)	€ 1,263	

Tools


**MC701160G060**  
PVC jig for overlay  
doors  
Page 177

CAPS


**815 Ø17,5**  
Nylon cap  
Page 191

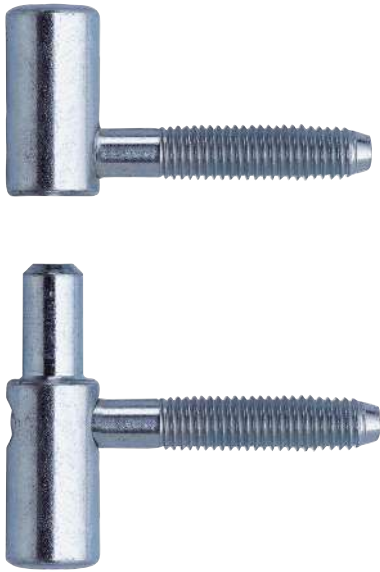
Short link



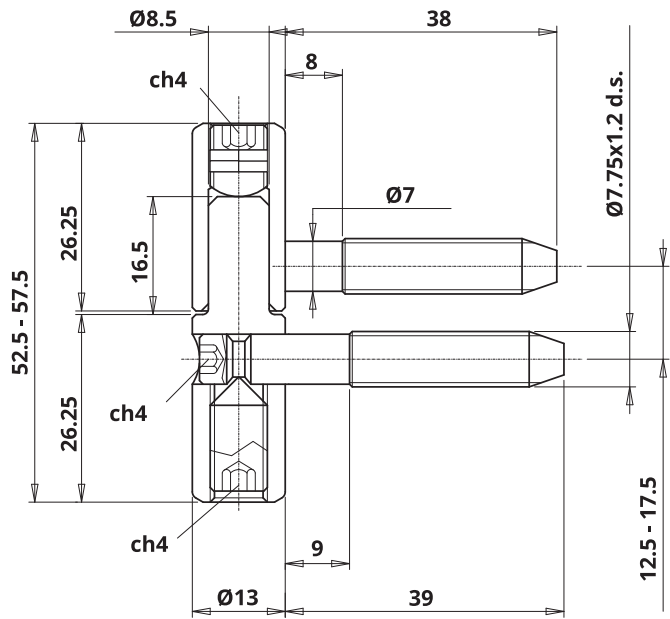
www.otlav.it - 055 Ø16



# 057 Ø13

Adjustable hinge



Zinc Plated



CODE	FINISHING	WEIGHT	Pcs / Box	PRICE PCS.	TOT.
 <b>CF057130H001</b> Female part	Zinc Plated	27,22 gr	500 1 x 500 (Box x pcs. each)	€ 1,197	€ 2,966
 <b>CG057130H003</b> Male part	Zinc Plated	40,7 gr	500 1 x 500 (Box x pcs. each)	€ 1,769	

**TOOLS**




**MA701130G018**  
PVC toolkit for overlay doors  
Page 172



**MC701130G060**  
PVC jig for overlay doors  
Page 177

**CAPS**



**826 Ø14**  
Brass cap  
Page 191



**847 Ø14**  
Aluminium cap  
Page 203

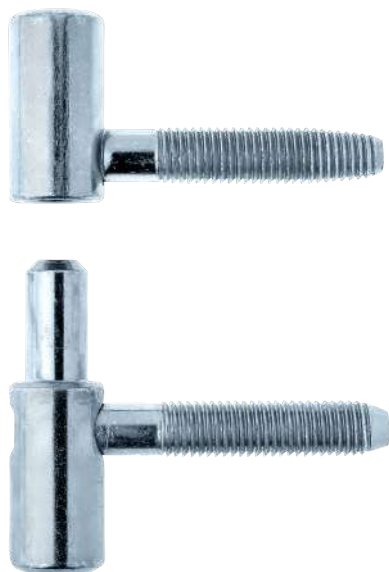


**849 Ø14**  
Aluminium cap  
Page 204

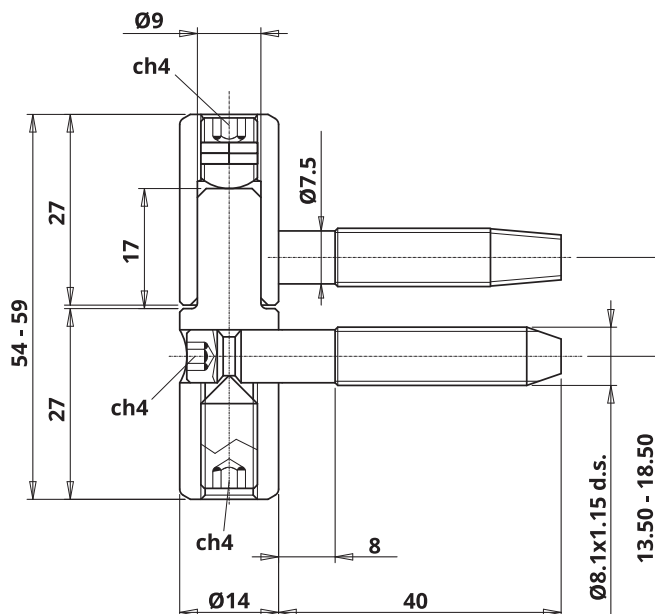
Short link





www.otlav.it - 057 Ø13



Zinc Plated



CODE	FINISHING	WEIGHT	Pcs / Box	PRICE PCS.	TOT.
 <b>CF057140H008</b> Female part	Zinc Plated	32,7 gr	400 1 x 400 (Box x pcs. each)	€ 1,185	€ 3,133
 <b>CG057140H010</b> Male part	Zinc Plated	48,93 gr	400 1 x 400 (Box x pcs. each)	€ 1,949	

TOOLS



**MA700140G002**  
Wooden toolkit for flush doors  
Page 170



**MA701140G011**  
PVC toolkit for overlay doors  
Page 172



**MC701140G060**  
PVC jig for overlay doors  
Page 177

CAPS



**847 Ø15**  
Aluminium cap  
Page 203



**849 Ø15**  
Aluminium cap  
Page 204

Short link



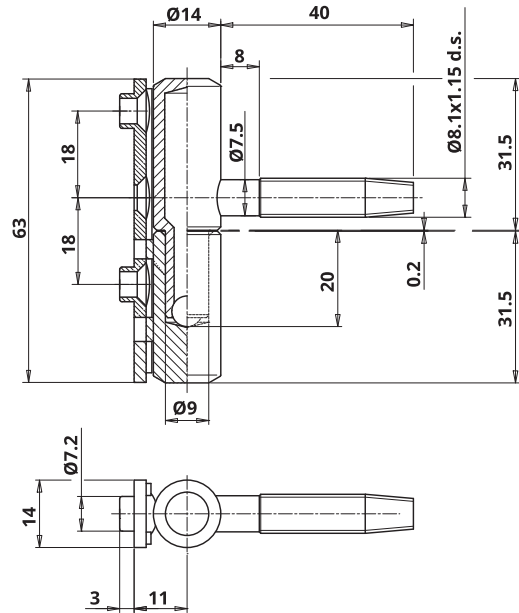
www.otlav.it - 057 Ø14



# P58 Ø14

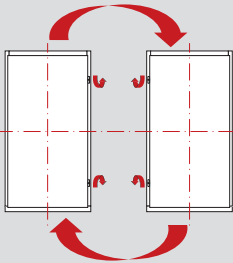
Hinge for reversible doors



Super Zinc Plated



CODE	FINISHING	WEIGHT	Pcs / Box	PRICE PCS.
 <b>CG0581408H03</b> Door part	Super Zinc Plated	39,29 gr	400 1 x 400 (Box x pcs. each)	On request
 <b>CGP581408H02</b> Frame part	Super Zinc Plated	41,2 gr	400 1 x 400 (Box x pcs. each)	On request



## HINGES FOR REVERSIBLE DOORS

Our reversible-door hinge system allows to manage inventory efficiently by using just one panel type. These hinges enable installers to choose the door's left- or right-hand opening on-site, simplifying assembly and reducing complexity.



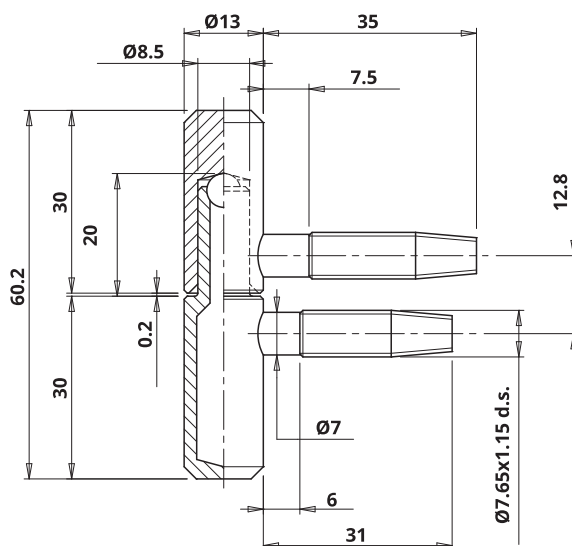
Short link





www.otlav.it - P58 Ø14



Zinc Plated

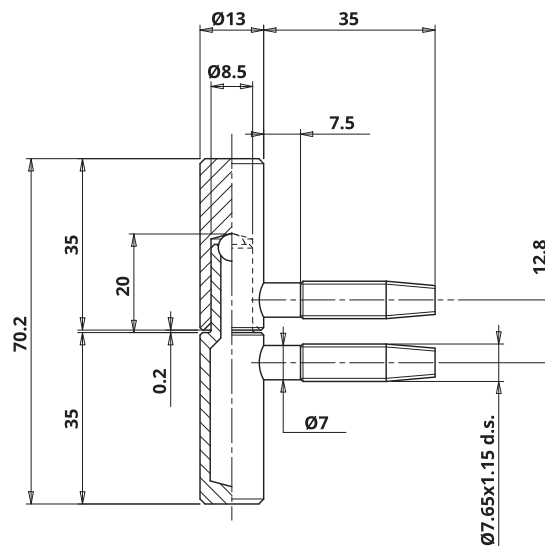




CODE	FINISHING	WEIGHT	Pcs / Box	PRICE PCS.	TOT.
 <b>CF070130H002</b> Female part	Zinc Plated	29,97 gr	600 1 x 600 (Box x pcs. each)	€ 0,334	€ 0,702
 <b>CG070130H002</b> Male part	Zinc Plated	32,48 gr	600 1 x 600 (Box x pcs. each)	€ 0,368	





<b>TOOLS</b>  <b>MA701130G018</b> PVC toolkit for overlay doors Page 172	 <b>MC701130G060</b> PVC jig for overlay doors Page 177	<b>CAPS</b>  <b>844 Ø14</b> Aluminium cap Page 201	 <b>847 Ø14</b> Aluminium cap Page 203	 <b>849 Ø14</b> Aluminium cap Page 204



Zinc Plated



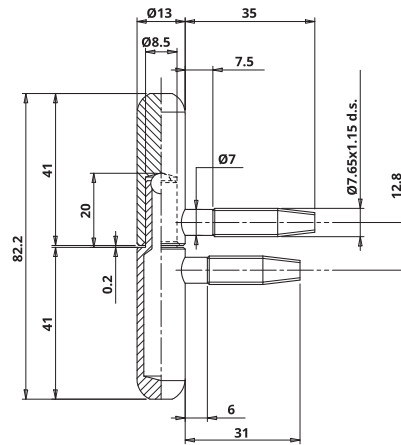
CODE	FINISHING	WEIGHT	Pcs / Box	PRICE PCS.	TOT.
 <b>CF075130H004</b> Female part	Zinc Plated	35,28 gr	500 1 x 500 (Box x pcs. each)	€ 0,358	€ 0,746
 <b>CG075130H004</b> Male part	Zinc Plated	37,4 gr	500 1 x 500 (Box x pcs. each)	€ 0,388	





<b>TOOLS</b>  <b>MA701130G018</b> PVC toolkit for overlay doors Page 172	 <b>MC701130G060</b> PVC jig for overlay doors Page 177	<b>CAPS</b>  <b>844 Ø14</b> Aluminium cap Page 201	 Short link www.otlav.it - 075 Ø13	
---	---	---	---	--

## 085 Ø13



Zinc Plated



CODE	FINISHING	WEIGHT	Pcs / Box	PRICE PCS.	TOT.
 <b>CF085130H002</b> Female part	Zinc Plated	40,13 gr	450 1 x 450 (Box x pcs. each)	€ 0,398	€ 0,812
 <b>CG085130H004</b> Male part	Zinc Plated	41,22 gr	450 1 x 450 (Box x pcs. each)	€ 0,414	
 <b>CF085130H005</b> Female part on loader	Zinc Plated	40,13 gr	285 1 x 285 (Box x pcs. each)	On request	
 <b>CG085130H005</b> Male part on loader	Zinc Plated	41,22 gr	285 1 x 285 (Box x pcs. each)	On request	

<b>TOOLS</b>	 <b>MA701130G018</b> PVC toolkit for overlay doors Page 172	 <b>MC701130G060</b> PVC jig for overlay doors Page 177	<b>CAPS</b>	 <b>844 Ø14</b> Aluminium cap Page 201

Short link



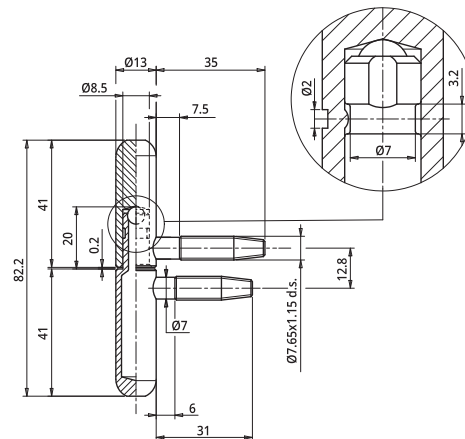
www.otlav.it - 085 Ø13



## 085 Ø13

### Hinge WASISTAS



Zinc Plated



CODE	FINISHING	WEIGHT	Pcs / Box	PRICE PCS.
 <b>CF085130H007</b> Female part on loader	Zinc Plated	40,13 gr	450 1 x 450 (Box x pcs. each)	On request
 <b>CG085130H007</b> Male part on loader	Zinc Plated	41,22 gr	450 1 x 450 (Box x pcs. each)	On request

<b>TOOLS</b>	 <b>MA701130G018</b> PVC toolkit for overlay doors Page 172	 <b>MC701130G060</b> PVC jig for overlay doors Page 177	<b>CAPS</b>	 <b>844 Ø14</b> Aluminium cap Page 201

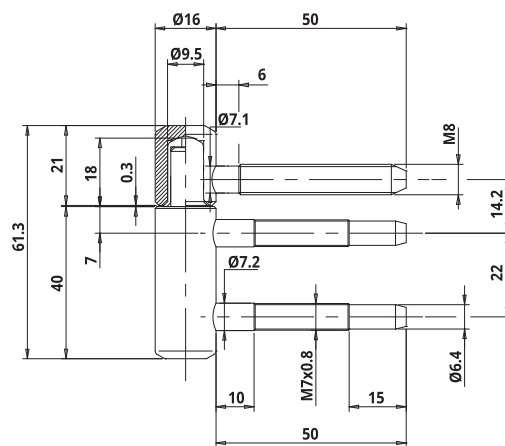
Short link





www.otlav.it - 085 Ø13



Nickel Plated



CODE	FINISHING	WEIGHT	Pcs / Box	PRICE PCS.
 <b>CF031160N006</b> Female part	Nickel Plated	37,7 gr	320 4 x 80 (Box x pcs. each)	€ 0,608
 <b>CG133160N006</b> Male part	Nickel Plated	95 gr	220 1 x 220 (Box x pcs. each)	€ 1,663

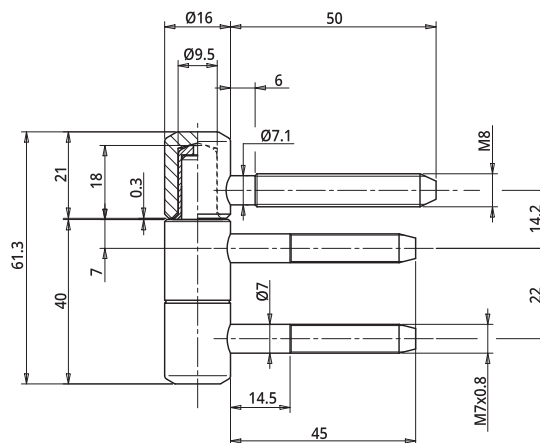
Short link





www.otlav.it - 133 Ø16



Nickel Plated



CODE	FINISHING	WEIGHT	Pcs / Box	PRICE PCS.
 <b>CF031160N006</b> Female part	Nickel Plated	37,7 gr	320 4 x 80 (Box x pcs. each)	€ 0,608
 <b>CG133160N012</b> Male part	Nickel Plated	90 gr	220 1 x 220 (Box x pcs. each)	On request

Short link

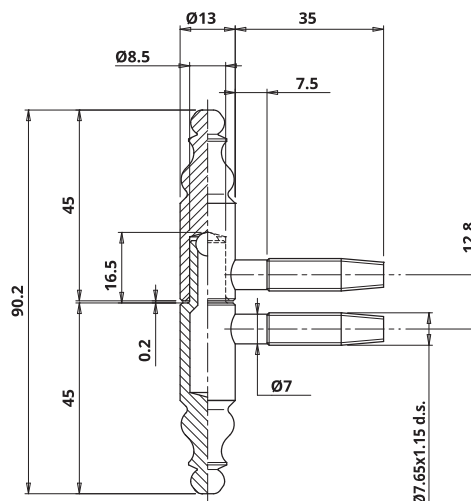






www.otlav.it - 133 Ø16

# 190 Ø13



Bronze Plated



CODE	FINISHING	WEIGHT	Pcs / Box	PRICE PCS.	TOT.
 <b>CF190130B110</b> Female part	Special Bronze Plated	36,8 gr	400 4 x 100 (Box x pcs. each)	€ 0,578	€ 1,187
 <b>CG190130B112</b> Male part	Special Bronze Plated	38 gr	400 4 x 100 (Box x pcs. each)	€ 0,609	
 <b>CF190130BN06</b> Female part	Bronze Plated	36,8 gr	400 4 x 100 (Box x pcs. each)	€ 0,522	€ 1,071
 <b>CG190130BN06</b> Male part	Bronze Plated	38 gr	400 4 x 100 (Box x pcs. each)	€ 0,549	
 <b>CI190130BN06</b> Complete hinge	Bronze Plated	75 gr	260 4 x 65 (Box x pcs. each)	€ 1,101	
 <b>CF190130G008</b> Female part	Natural	36,8 gr	500 1 x 500 (Box x pcs. each)	€ 0,439	€ 0,887
 <b>CG190130G008</b> Male part	Natural	38 gr	500 1 x 500 (Box x pcs. each)	€ 0,448	
 <b>CF190130G204</b> Female part	Varnished Phosphatized	36,8 gr	500 1 x 500 (Box x pcs. each)	€ 0,57	€ 1,17
 <b>CG190130G204</b> Male part	Varnished Phosphatized	38 gr	500 1 x 500 (Box x pcs. each)	€ 0,60	
 <b>CF190130H205</b> Female part	Black Varnished Zinc Plated	36,8 gr	500 1 x 500 (Box x pcs. each)	€ 0,531	€ 1,091
 <b>CG190130H205</b> Male part	Black Varnished Zinc Plated	38 gr	500 1 x 500 (Box x pcs. each)	€ 0,56	
 <b>CF190130H803</b> Female part	Black Zinc	36,8 gr	400 4 x 100 (Box x pcs. each)	€ 0,529	€ 1,087
 <b>CG190130H803</b> Male part	Black Zinc	38 gr	400 4 x 100 (Box x pcs. each)	€ 0,558	
 <b>CF190130O006</b> Female part	Brass Plated	36,8 gr	400 4 x 100 (Box x pcs. each)	€ 0,55	€ 1,129
 <b>CG190130O006</b> Male part	Brass Plated	38 gr	400 4 x 100 (Box x pcs. each)	€ 0,579	
 <b>CF190130R004</b> Female part	Burnished	36,8 gr	500 1 x 500 (Box x pcs. each)	€ 0,478	€ 0,982
 <b>CG190130R004</b> Male part	Burnished	38 gr	500 1 x 500 (Box x pcs. each)	€ 0,504	

<b>TOOLS</b>		
	<b>MA701130G018</b> PVC toolkit for overlay doors Page 172	<b>MC701130G060</b> PVC jig for overlay doors Page 177

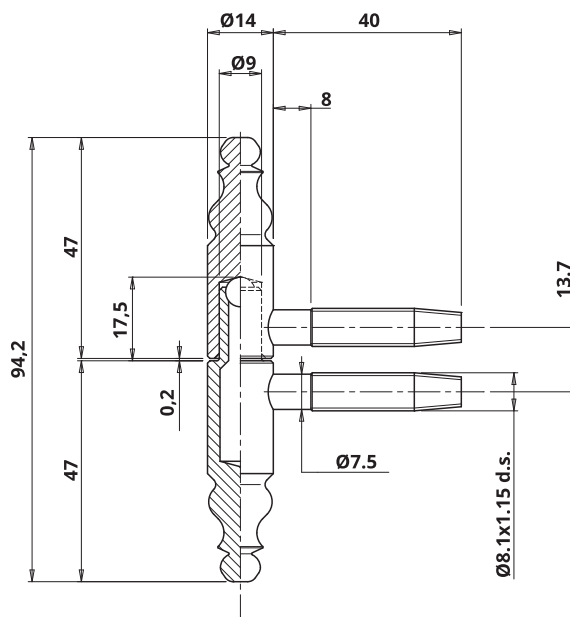
Short link



www.otlav.it - 190 Ø13



Bronze Plated



CODE	FINISHING	WEIGHT	Pcs / Box	PRICE PCS.	TOT.
 <b>CF190140BN04</b> Female part	Bronze Plated	47,5 gr	320 4 x 80 (Box x pcs. each)	€ 0,67	€ 1,356
 <b>CG190140BN04</b> Male part	Bronze Plated	46,2 gr	320 4 x 80 (Box x pcs. each)	€ 0,686	
 <b>CI190140BN04</b> Complete hinge	Bronze Plated	93,7 gr	200 4 x 50 (Box x pcs. each)	€ 1,569	
 <b>CF190140H803</b> Female part	Black Zinc	47,5 gr	320 4 x 80 (Box x pcs. each)	€ 0,801	€ 1,624
 <b>CG190140H803</b> Male part	Black Zinc	46,2 gr	320 4 x 80 (Box x pcs. each)	€ 0,823	
 <b>CF1901400004</b> Female part	Brass Plated	47,5 gr	320 4 x 80 (Box x pcs. each)	€ 0,707	€ 1,429
 <b>CG1901400004</b> Male part	Brass Plated	46,2 gr	320 4 x 80 (Box x pcs. each)	€ 0,722	

## Tools



**MA700140G002**  
Wooden toolkit  
for flush doors  
Page 170



**MA701140G011**  
PVC toolkit for  
overlay doors  
Page 172



**MC701140G060**  
PVC jig for overlay  
doors  
Page 177

Short link

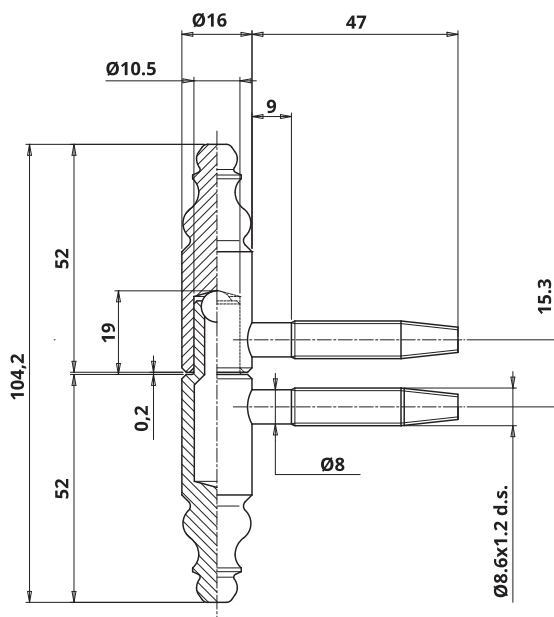







www.otlav.it - 190 Ø14

# 190 Ø16



Brass Plated



CODE	FINISHING	WEIGHT	Pcs / Box	PRICE PCS.	TOT.
 <b>CI190160B103</b> Complete hinge	Special Bronze Plated	140 gr	120 4 x 30 (Box x pcs. each)	€ 2,268	
 <b>CF190160BN04</b> Female part	Bronze Plated	67,64 gr	200 4 x 50 (Box x pcs. each)	€ 1,095	€ 2,196
 <b>CG190160BN04</b> Male part	Bronze Plated	69,44 gr	200 4 x 50 (Box x pcs. each)	€ 1,101	
 <b>CF1901600002</b> Female part	Brass Plated	67,64 gr	200 4 x 50 (Box x pcs. each)	€ 1,152	€ 2,326
 <b>CG1901600002</b> Male part	Brass Plated	69,44 gr	200 4 x 50 (Box x pcs. each)	€ 1,174	

**TOOLS**



**MC701160G060**  
PVC jig for overlay doors  
Page 177

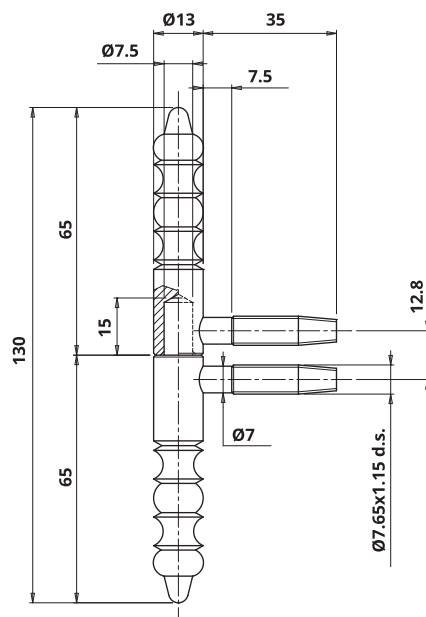
Short link





www.otlav.it - 190 Ø16



Varnished Phosphatized



CODE	FINISHING	WEIGHT	Pcs / Box	PRICE PCS.
 <b>CF210130G208</b> Female part	Varnished Phosphatized	53,34 gr	300 1 x 300 (Box x pcs. each)	On request
 <b>CG210130G208</b> Male part	Varnished Phosphatized	63,97 gr	300 1 x 300 (Box x pcs. each)	On request

Tools



**MA701130G018**  
PVC toolkit for overlay doors  
Page 172



**MC701130G060**  
PVC jig for overlay doors  
Page 177

Short link

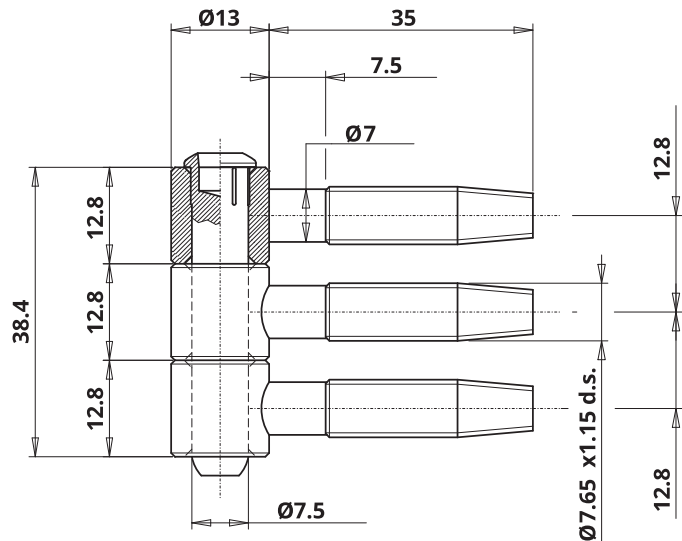


www.otlav.it - 210 Ø13

## 300 Ø13



Zinc Plated



CODE	FINISHING	WEIGHT	Pcs / Box	PRICE PCS.
 <b>CI300130H003</b> Complete hinge	Zinc Plated	68,11 gr	300 4 x 75(Box x pcs. each)	€ 1,155

**TOOLS**



**MA701130G018**  
PVC toolkit for overlay doors  
Page 172



**MC701130G060**  
PVC jig for overlay doors  
Page 177

Short link

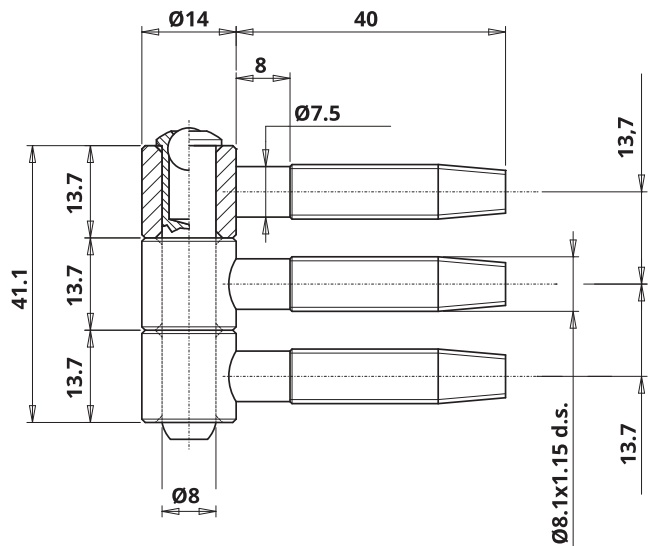


www.otlav.it - 300 Ø13

## 300 Ø14



Zinc Plated



CODE	FINISHING	WEIGHT	Pcs / Box	PRICE PCS.
 <b>CI300140H002</b> Complete hinge	Zinc Plated	84,88 gr	240 4 x 60(Box x pcs. each)	€ 1,41

**TOOLS**



**MA700140G002**  
Wooden toolkit for flush doors  
Page 170



**MA701140G011**  
PVC toolkit for overlay doors  
Page 172



**MC701140G060**  
PVC jig for overlay doors  
Page 177

Short link

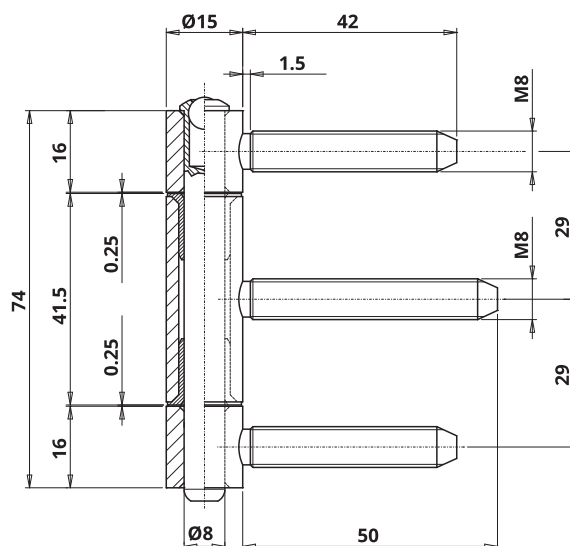



www.otlav.it - 300 Ø14

# 320 Ø15



Nickel Plated



CODE	FINISHING	WEIGHT	Pcs / Box	PRICE PCS.
 <b>CI320150N002</b> Complete hinge	Nickel Plated	126,55 gr	160 4 x 40 (Box x pcs. each)	€ 2,757

TOOLS



**MA701150G002**  
Wooden toolkit  
for overlay doors  
Page 174

Short link



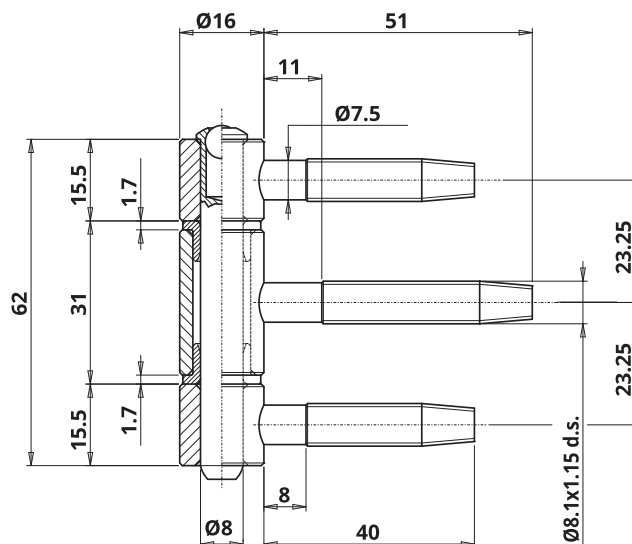
www.otlav.it - 320 Ø15


WOOD

# 320 Ø16



Zinc Plated



CODE	FINISHING	WEIGHT	Pcs / Box	PRICE PCS.
 <b>CI320160H004</b> Complete hinge	Zinc Plated	123,3 gr	160 4 x 40 (Box x pcs. each)	€ 1,841

TOOLS



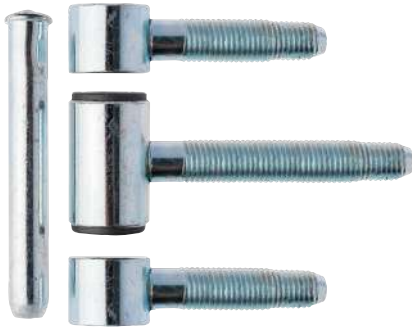
**MC701160G032**  
PVC jig for overlay  
doors  
Page 177

Short link



www.otlav.it - 320 Ø16

# 320 Ø18

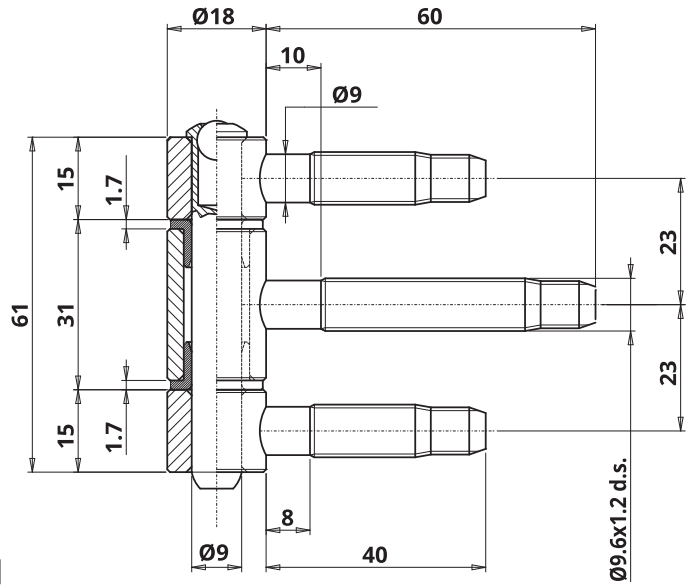


Zinc Plated



3 7 4 1 1 \* 0 11

\*Depending on the finish:  
Zinc Plated 12µ 2



CODE	FINISHING	WEIGHT	Pcs / Box	PRICE PCS.
 <b>CI320180H555</b> Complete hinge	Zinc Plated 12µ	171,13 gr	120 4 x 30 (Box x pcs. each)	€ 3,439

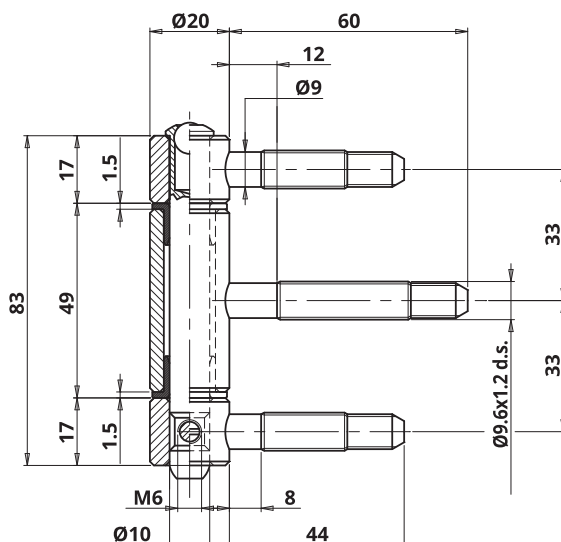
Short link




www.otlav.it - 320 Ø18



Zinc Plated



CODE	FINISHING	WEIGHT	Pcs / Box	PRICE PCS.
 <b>CI320200H511</b> Complete hinge	Zinc Plated 12µ	242,42 gr	80 4 x 20 (Box x pcs. each)	€ 7,953

TOOLS



**MC701200G032**  
PVC jig for overlay doors  
Page 177

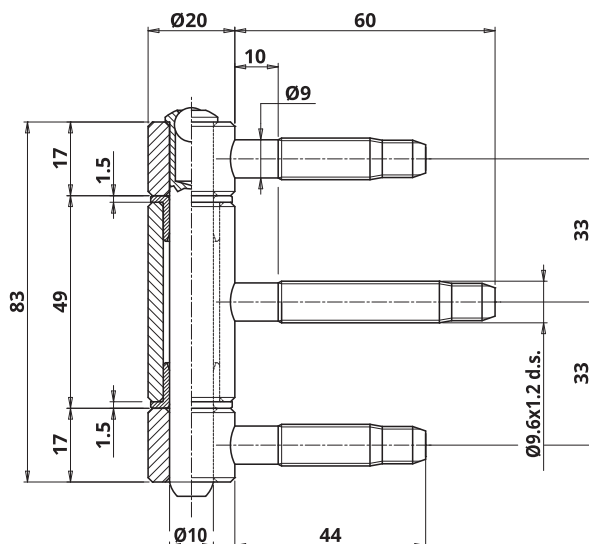
Short link



www.otlav.it - 320 Ø20



Zinc Plated



CODE	FINISHING	WEIGHT	Pcs / Box	PRICE PCS.
 <b>CI320200H513</b> Complete hinge	Zinc Plated 12µ	242,42 gr	80 4 x 20 (Box x pcs. each)	€ 4,398

TOOLS



**MC701200G032**  
PVC jig for overlay doors  
Page 177

Short link



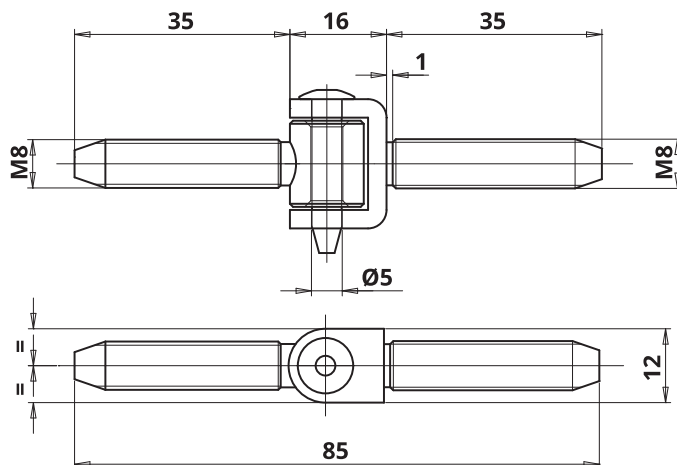
www.otlav.it - 320 Ø20

# NT 021




Bolt hinge



White



1 4 1 0 1 3 0 3

CODE	FINISHING	WEIGHT	Pcs / Box	PRICE PCS.
 <b>CE014120P320</b> Socket M8x35 mm pin	White (RAL 9010)	20,03 gr	1000 1 x 1000 (Box x pcs. each)	On request
 <b>FP0260488H02</b> Pin	Super Zinc Plated	3,77 gr	5000 1 x 5000 (Box x pcs. each)	On request
 <b>NT021120P318</b> Fork M8x35 pin	White (RAL 9010)	19,83 gr	1000 1 x 1000 (Box x pcs. each)	On request

Short link



www.otlav.it - NT 021

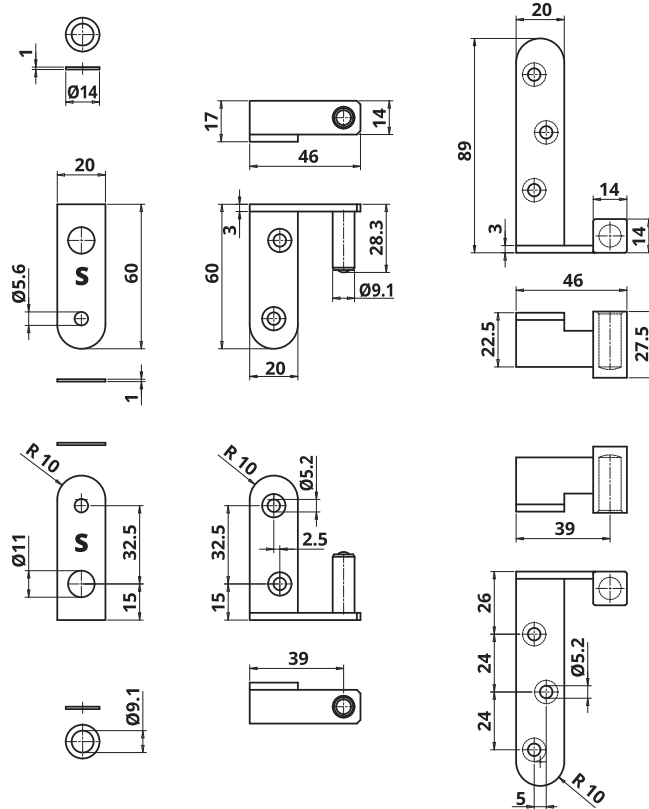


# S17 Ø14

Complete set S17, semi-concealed square pivot hinge for flush doors, reversible with 44 mm door thickness



Satinized Silver



CODE	FINISHING	WEIGHT	Pcs / Box	PRICE PCS.
 <b>CIS17140V703</b> Complete hinge	Satinized Silver	269,6 gr	40 1 x 40 (Box x pcs. Each)	€ 10,035

The maximum load capacity for Kit S17 is 40 kg. The maximum dimensions of the door must not exceed: 100 cm x 210 cm. 180° opening angle. Equipped with two 1 mm-thick nylon shims (S) for adjusting the hinge on the frame if necessary. **Every door requires 2 AI S98 that must be fitted opposite each other.**

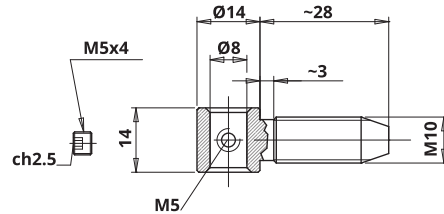
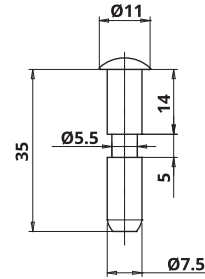




**CE 014 Ø14**

Pintle - anti-unthreading socket with pin M10x28 mm - pivot length 35 mm



Black Varnished Zinc Plated



CODE	FINISHING	WEIGHT	Pcs / Box	PRICE PCS.
 <b>CE014140H204</b>	Black Varnished Zinc Plated	19,54 gr	800 4 x 200(Box x pcs. each)	On request
 <b>FP040075H202</b>	Black Varnished Zinc Plated	12,3 gr	1200 8 x 150(Box x pcs. each)	On request

Short link



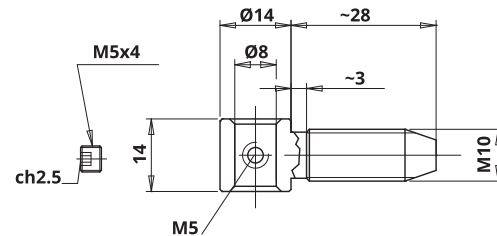
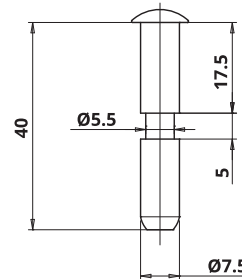
www.otlav.it - CE 014 Ø14



**CE 014 Ø14**

Pintle - anti-unthreading socket with pin M10x28 mm - pivot length 40 mm



Black Varnished Zinc Plated



CODE	FINISHING	WEIGHT	Pcs / Box	PRICE PCS.
 <b>CE014140H204</b>	Black Varnished Zinc Plated	19,54 gr	800 4 x 200(Box x pcs. each)	On request
 <b>FP042075H202</b>	Black Varnished Zinc Plated	14 gr	1200 8 x 150(Box x pcs. each)	On request

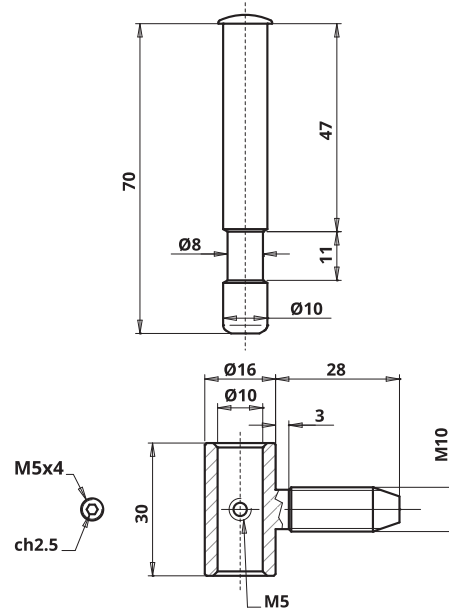
Short link





www.otlav.it - CE 014 Ø14

## CE 030 Ø16

Pintle - anti-unthreading socket with pin M10x28 mm - pivot length 70 mm



CODE	FINISHING	WEIGHT	Pcs / Box	PRICE PCS.	TOT.
 <b>CE030160H210</b>	Black Varnished Zinc Plated	39,7 gr	500 4 x 125 (Box x pcs. each)	€ 0,95	€ 1,445
 <b>FP070100H210</b>	Black Varnished Zinc Plated	41,7 gr	500 4 x 125 (Box x pcs. each)	€ 0,495	

Short link



www.otlav.it - CE 030 Ø16

**ADJUSTABLE** hinges  
for **WOOD**



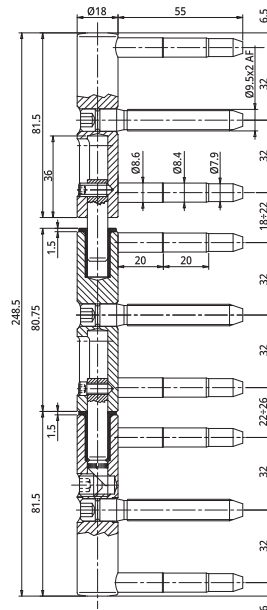
ADJUSTABLE




# URSUS PLUS 475 Ø18

3-part hinge - 3D adjustable - 9 pins - Capacity 200 kg



Zinc Plated 12µ



CODE	FINISHING	WEIGHT	Pcs / Box	PRICE PCS.
 <b>CI475180H504</b> Complete hinge	Zinc Plated 12µ	650 gr	12 2 x 6 (Box x pcs. Each)	On request
 <b>GC4762004F02</b> Nylon caps kit	Grey (9F)	13 gr	48 kit 4 x 12 (Box x kit each)	On request
 <b>GC4762004N02</b> Nylon caps kit	Matt Black	13 gr	48 kit 4 x 12 (Box x kit each)	On request
 <b>GC476200YS02</b> Nylon caps kit	Matt Chrome Plated Nylon	13 gr	48 kit 4 x 12 (Box x kit each)	On request

<p><b>TOOLS</b></p>  <p><b>MA701180G016</b> Aluminium jig for overlay doors Page 173</p>	<p><b>CAPS</b></p>  <p><b>476 Ø20</b> Nylon caps kit Page 190</p>
---	--

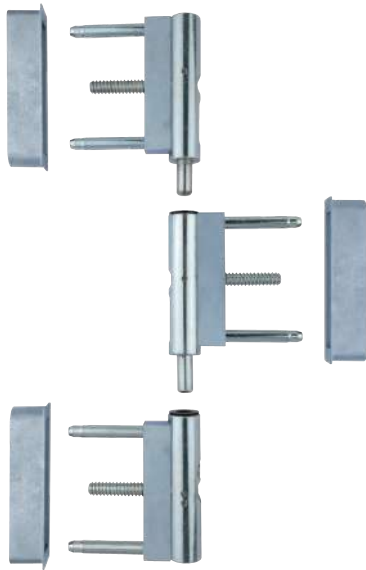
Short link



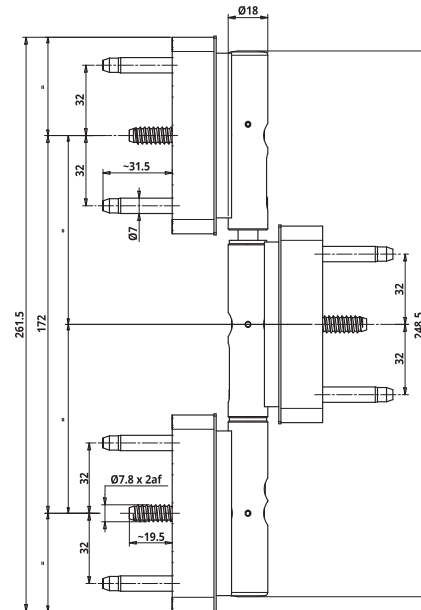
www.otlav.it - URSUS PLUS 475 Ø18


# URSUS 250 476 Ø18

3-part hinge - 3D adjustable - 9 pins - Capacity 250 kg



Zinc Plated 12µ



CODE	FINISHING	WEIGHT	Pcs / Box	PRICE PCS.
 <b>CI476180H502</b> Complete hinge	Zinc Plated 12µ	937 gr	12 4 x 3 (Box x pcs. Each)	On request
 <b>GC4762004F02</b> Nylon caps kit	Grey (9F)	13 gr	48 kit 4 x 12 (Box x kit each)	On request
 <b>GC4762004N02</b> Nylon caps kit	Matt Black	13 gr	48 kit 4 x 12 (Box x kit each)	On request
 <b>GC476200YS02</b> Nylon caps kit	Matt Chrome Plated Nylon	13 gr	48 kit 4 x 12 (Box x kit each)	On request

CAPS



**476 Ø20**  
Nylon caps kit

Page 190

Short link



www.otlav.it - URSUS 250 476 Ø18

ADJUSTABLE | 125

ADJUSTABLE

# URSUS 250

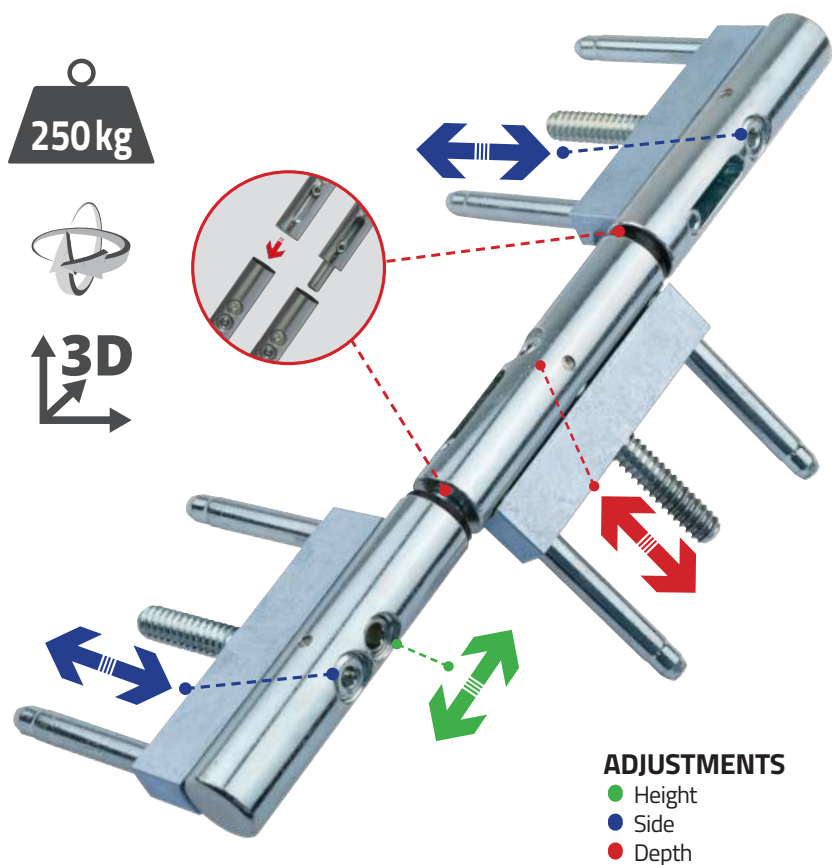
**NEW**



Ursus 250 is a special **hinge** for massive **heavy duty doors** with particularly wide shutters. The hinge allows perfect alignment of the door, thanks to its three parts and nine pins, that maintain in time the original vertical order of the hinge.

The joint system, equipped with **bayonet pins**, allows the door leaf to be installed without lifting, ensuring quick and easy door installation.

Ursus 250 guarantees top quality and reliable performance, it has passed 200.000 cycles test for a **capacity of 250 kg** and is **adjustable on three axes**. The special fitting system allows to **conceal the pins**, the end caps are available in several kind of finishing to provide versatile, elegant and modern design.

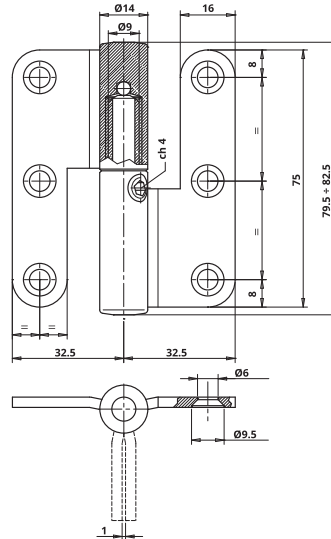


## POMELLAS 485 Ø14

Hinge on plates - adjustable - DIN left



Zinc Plated



CODE	FINISHING	WEIGHT	Pcs / Box	PRICE PCS.
 <b>CI485140H003</b> Complete hinge	Zinc Plated	150 gr	120 4 x 30 (Box x pcs. each)	€ 6,581

CAPS	838 Ø15 Aluminium cap Page 193	838 Ø16 Brass cap Page 195	838 Ø16 Nylon cap Page 194	839 Ø16 Brass cap Page 200	846 Ø15 Aluminium cap Page 202
------	--------------------------------------	----------------------------------	----------------------------------	----------------------------------	--------------------------------------

Short link



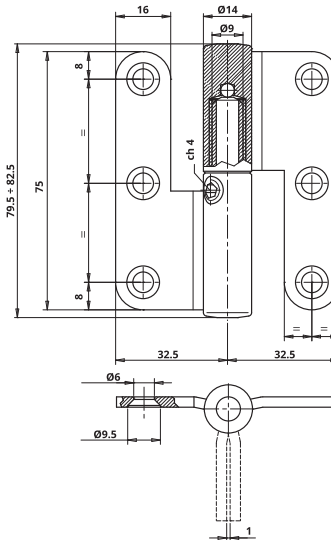
www.otlav.it - POMELLAS 485 Ø14

## POMELLAS 485 Ø14

Hinge on plates - adjustable - DIN right



Zinc Plated



CODE	FINISHING	WEIGHT	Pcs / Box	PRICE PCS.
 <b>CI485140H004</b> Complete hinge	Zinc Plated	150 gr	120 4 x 30 (Box x pcs. each)	€ 6,581

CAPS	838 Ø15 Aluminium cap Page 193	838 Ø16 Brass cap Page 195	838 Ø16 Nylon cap Page 194	839 Ø16 Brass cap Page 200	846 Ø15 Aluminium cap Page 202
------	--------------------------------------	----------------------------------	----------------------------------	----------------------------------	--------------------------------------

Short link



www.otlav.it - POMELLAS 485 Ø14

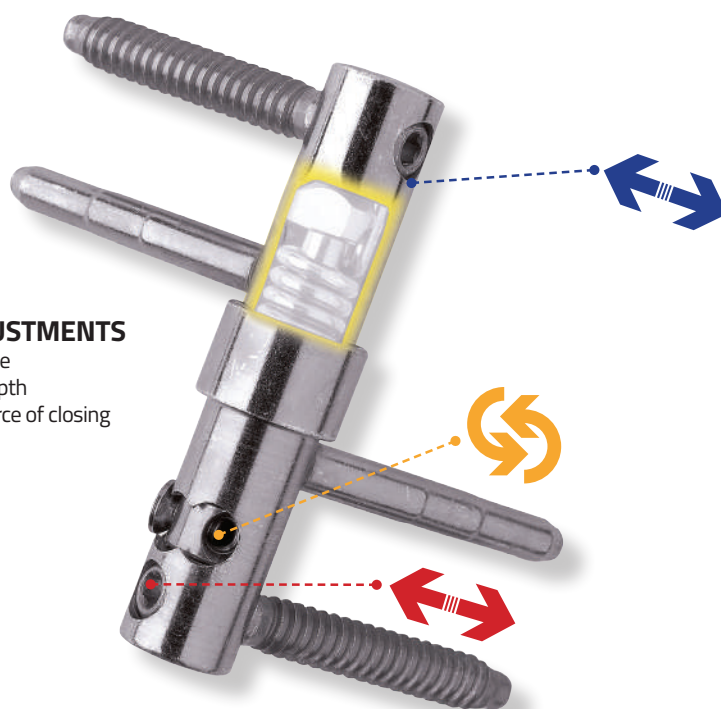
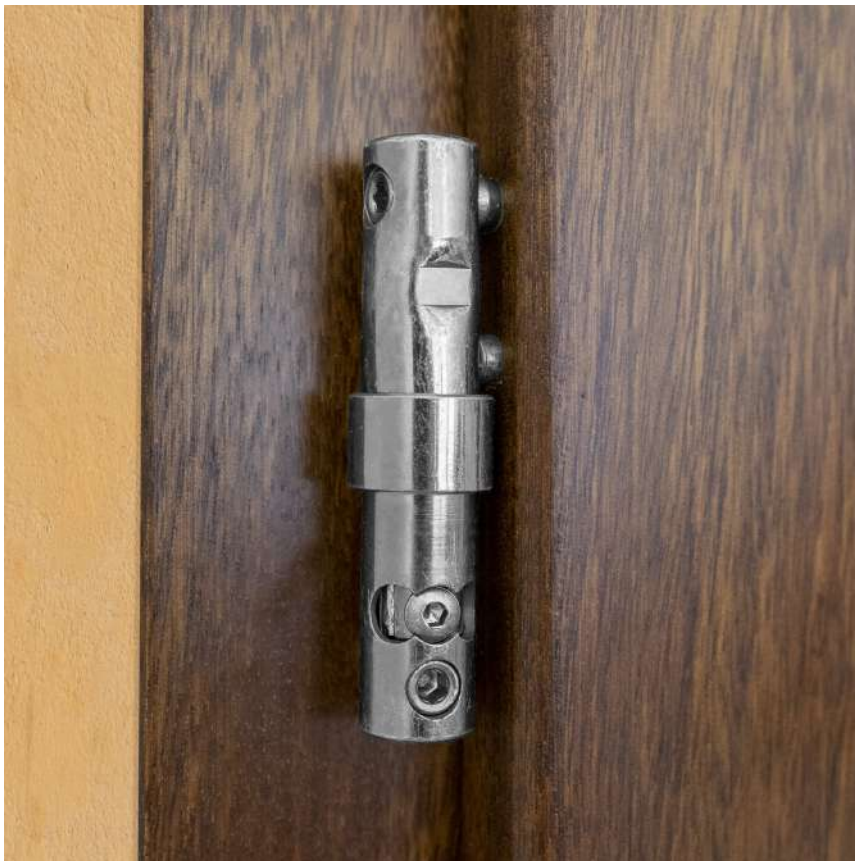
ADJUSTABLE

488 Ø16

## SELF-CLOSING

Developed to combine perfectly with the technology of the Exacta hinge, this hinge ensures that the door on which it is mounted closes automatically. The force of the closure can be easily adjusted and it is a particularly advantageous solution for large scale applications.

For doors weighing up to 40 Kg, it is recommended the fitting of a traditional EXACTA hinge in the middle and two 488 SELF-CLOSING hinges at the ends of the door. For doors weighing between 40 and 60 kg, it is advisable to fit two traditional EXACTA hinges at the ends of the door and two 488 SELF-CLOSING hinges in the middle.



### ADJUSTMENTS

- Side
- Depth
- Force of closing



1. By acting on the threaded pin it is possible to quickly fit the hinge using the appropriate hexagonal bit for electrical drill screwers and then make the side precision adjustment using the special "T" wrench.



2/3. The force of the automatic closing, which also depends on the weight and size of the door, can easily be adjusted by varying the position of the special adjusting screw. This operation is clearly illustrated in the assembly drawings supplied with the hinges.

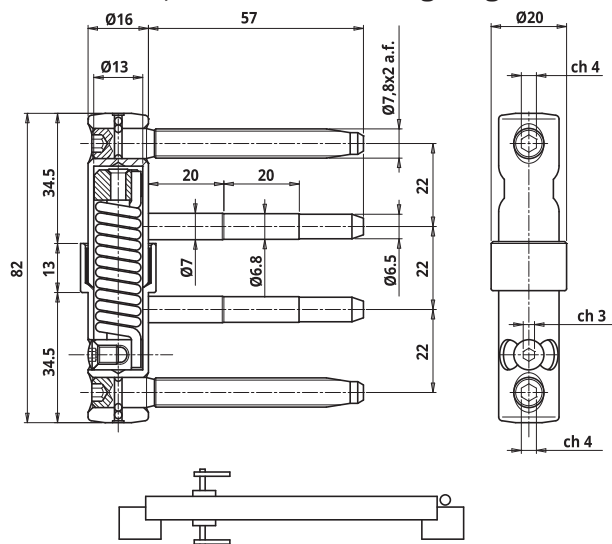


**488 Ø16**

## Adjustable self-closing hinge - DIN left



Zinc Plated

**CODE****FINISHING****WEIGHT****Pcs / Box****PRICE PCS.****CI488160H504**  
Complete hingeZinc Plated 12 $\mu$ 

174,88 gr

100  
4 x 25 (Box x pcs. each)

€ 19,475

**TOOLS****MA700160G006**  
PVC toolkit for  
flush doors  
Page 170**MA701160G035**  
PVC toolkit for  
overlay doors  
Page 172**MA801160G028**  
Rod  
Page 176**MC701160G035**  
PVC jig for overlay  
doors  
Page 177

Short link



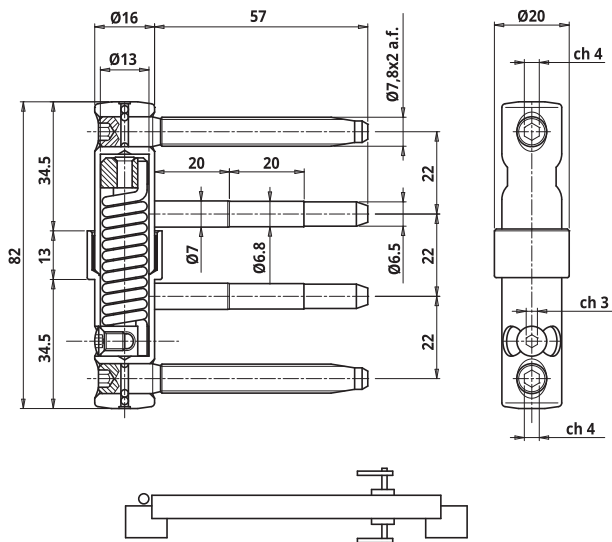
www.otlav.it - 488 Ø16

**488 Ø16**

## Adjustable self-closing hinge - DIN right



Zinc Plated

**CODE****FINISHING****WEIGHT****Pcs / Box****PRICE PCS.****CI488160H506**  
Complete hingeZinc Plated 12 $\mu$ 

174,88 gr

100  
4 x 25 (Box x pcs. each)

€ 19,475

**TOOLS****MA700160G006**  
PVC toolkit for  
flush doors  
Page 170**MA701160G035**  
PVC toolkit for  
overlay doors  
Page 172**MA801160G028**  
Rod  
Page 176**MC701160G035**  
PVC jig for overlay  
doors  
Page 177

Short link



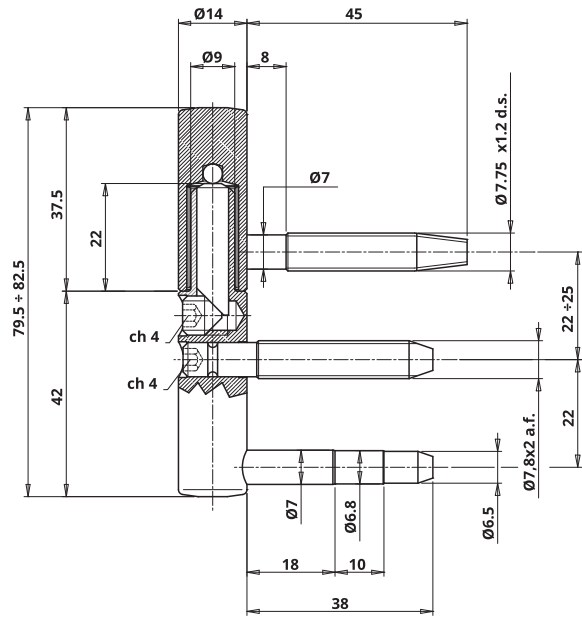
www.otlav.it - 488 Ø16



# 491 Ø14

2D adjustable hinge, female pin 7,75x45 mm, male pin 7,8x38 mm



Zinc Plated 12µ




CODE	FINISHING	WEIGHT	Pcs / Box	PRICE PCS.	TOT.
 <b>CF491140H508</b> Female part	Zinc Plated 12µ	43,08 gr	260 4 x 65 (Box x pcs. each)	€ 0,943	€ 3,639
 <b>CG495140H502</b> Male part	Zinc Plated 12µ	77,42 gr	260 4 x 65 (Box x pcs. each)	€ 2,696	

**CAPS**



**838 Ø15**  
Aluminium cap

Page 193




**838 Ø16**  
Brass cap

Page 195



**838 Ø16**  
Nylon cap

Page 194



**839 Ø16**  
Brass cap

Page 200



**846 Ø15**  
Aluminium cap

Page 202

Short link



www.otlav.it - 491 Ø14

# EXACTA

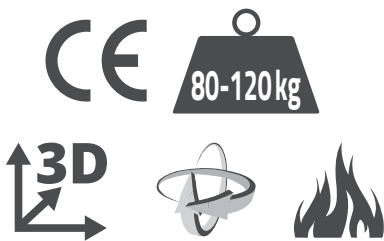
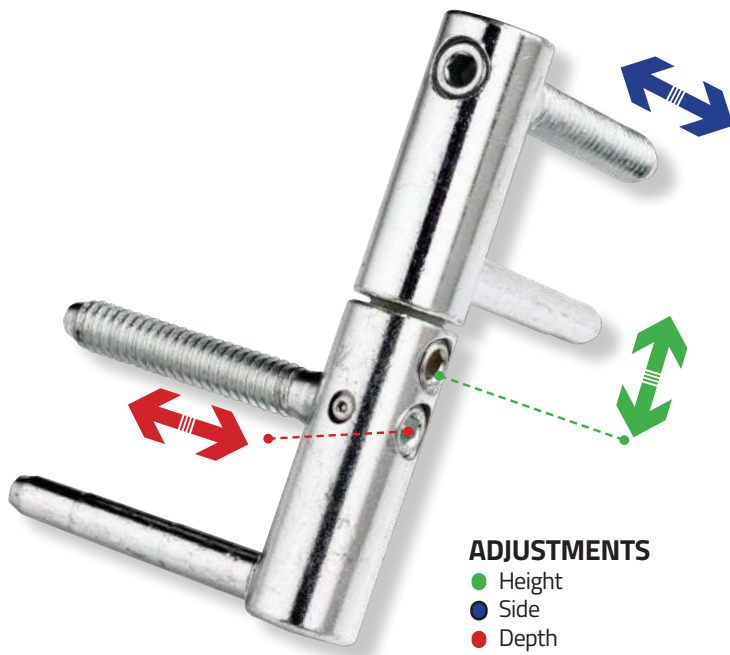
Designed to combine the perfection of three-dimensional fixture adjustment with an easy and, above all, reliable system, Exacta epitomizes the essence of OTLAV functionality.

The practical aspects of Exacta are built into each component of the hinge.

Every part that makes up this sophisticated adjustment system has been meticulously designed and only the best materials are used after having passed strict inspection tests.

A wide range of brass, steel and ABS caps means that doors and windows can now be given a personal touch of style.

Exacta's precision, reliability and practicality are all concepts that perfectly reflect the OTLAV style, which has always been geared towards advancing its product technology continually.



By acting on the threaded pin it is possible to quickly fit the hinge using the appropriate hexagonal bit for electrical drill screwers and then make the side precision adjustment using the special "T" wrench.

The wide, self-threading pitch assures a great reduction of assembly time and an excellent grip on all kinds of wood.



By using a "T" wrench, it is possible to adjust the height of the pivot, therefore raising the female part. The weight of the door is evenly distributed over all the door-frame hinges thanks to the great sensitivity of the height adjusting device.

# EXACTA 495 Ø13

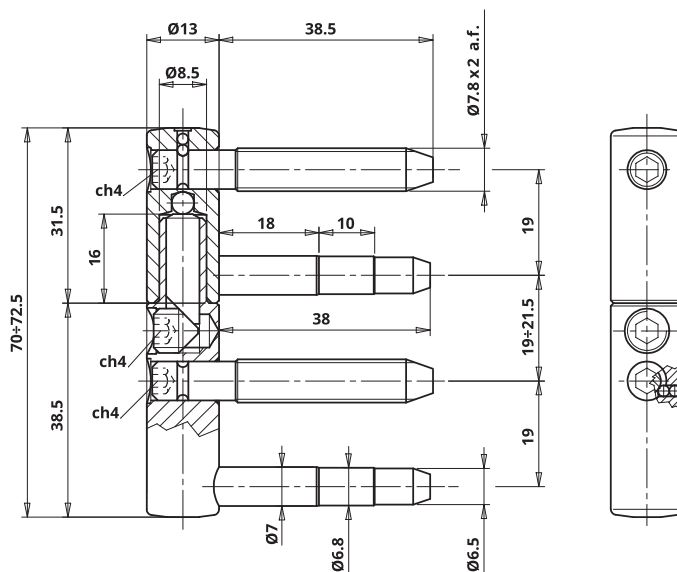
3D adjustable hinge - pins 7,8x38 mm





Zinc Plated 12µ



3 7 4 0 1 2 0 11



CODE	FINISHING	WEIGHT	Pcs / Box	PRICE PCS.	TOT.
 <b>CF495130H502</b> Female part	Zinc Plated 12µ	45 gr	320 4 x 80 (Box x pcs. each)	€ 1,498	€ 3,968
 <b>CG495130H502</b> Male part	Zinc Plated 12µ	64 gr	320 4 x 80 (Box x pcs. each)	€ 2,47	

**TOOLS**  
  
**MA701130G024**  
 Aluminium toolkit  
 for overlay doors  
 Page 174

**TOOLS**  
  
**MC701130G022**  
 Aluminium jig for  
 overlay doors  
 Page 178

**CAPS**  
  
**EXACTA 495 Ø13**  
 Aluminium cap  
 Page 193

Short link  
  
 www.otlav.it - EXACTA 495 Ø13

# EXACTA 495 Ø14

3D adjustable hinge - pins 7,8x38 mm



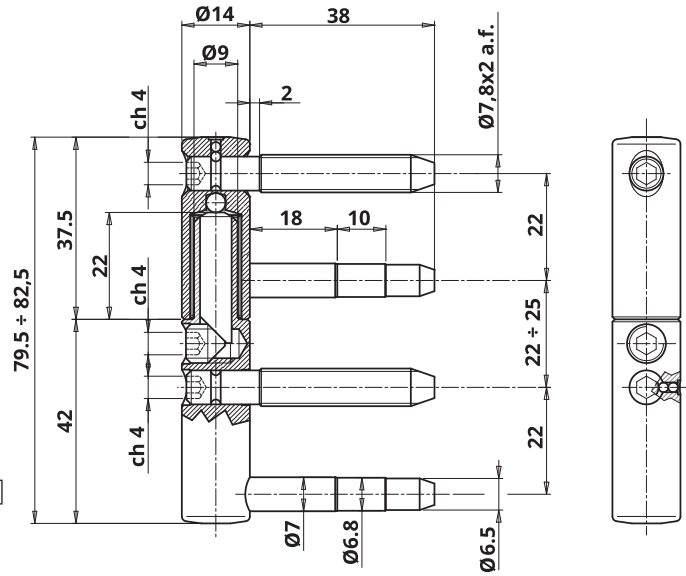
Zinc Plated 12µ



3 7 4 1 1 \* 0 11

\*Depending on the finish:

Bronze Plated	1
Zinc Plated 12µ	2
Black Zinc Plated	2
Zinc Nickel 7µ	5



CODE	FINISHING	WEIGHT	Pcs / Box	PRICE PCS.	TOT.
<b>CF495140BN02</b> Female part	Bronze Plated	52,8 gr	260 4 x 65 (Box x pcs. each)	€ 1,948	€ 4,715
<b>CG495140BN02</b> Male part	Bronze Plated	77,42 gr	260 4 x 65 (Box x pcs. each)	€ 2,768	
<b>CF495140H519</b> Female part	Zinc Plated 12µ	52,8 gr	260 4 x 65 (Box x pcs. each)	€ 1,797	€ 4,493
<b>CG495140H502</b> Male part	Zinc Plated 12µ	77,42 gr	260 4 x 65 (Box x pcs. each)	€ 2,696	
<b>CF495140HN19</b> Female part	Black Zinc Plated	52,8 gr	260 4 x 65 (Box x pcs. each)	On request	
<b>CG495140HN02</b> Male part	Black Zinc Plated	77,42 gr	260 4 x 65 (Box x pcs. each)	On request	
<b>CF495140H002</b> Female part <b>High resistance to corrosion</b>	Zinc Nickel 7µ	52,8 gr	260 4 x 65 (Box x pcs. each)	€ 2,05	€ 4,752
<b>CG495140H004</b> Male part <b>High resistance to corrosion</b>	Zinc Nickel 7µ	77,42 gr	260 4 x 65 (Box x pcs. each)	€ 2,702	

TOOLS	MA700160G006 PVC toolkit for flush doors Page 170	MA701160G035 PVC toolkit for overlay doors Page 172	MA801160G028 Rod Page 176	MC701160G035 PVC jig for overlay doors Page 177	
CAPS	<b>838 Ø15</b> Aluminium cap Page 193	<b>838 Ø16</b> Brass cap Page 195	<b>838 Ø16</b> Nylon cap Page 194	<b>839 Ø16</b> Brass cap Page 200	<b>846 Ø15</b> Aluminium cap Page 202

Short link



www.otlav.it - EXACTA 495 Ø14



# EXACTA 495 Ø16

3D adjustable hinge - pins 7,8x45 mm

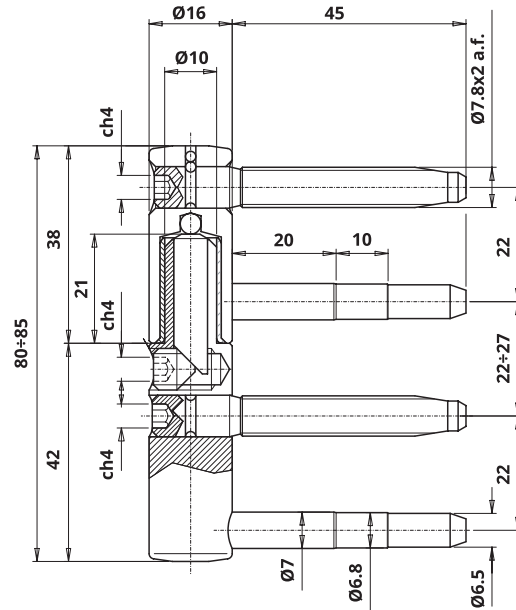


Zinc Plated 12µ



4 7 5 1 1 \* 0 12

\*Depending on the finish:  
 Bronze Plated 1  
 Zinc Plated 12µ 2  
 Black Zinc Plated 2



CODE	FINISHING	WEIGHT	Pcs / Box	PRICE PCS.	TOT.
<b>CF495160BN02</b> Female part	Bronze Plated	66 gr	200 4 x 50 (Box x pcs. each)	€ 2,248	€ 5,395
<b>CG495160BN02</b> Male part	Bronze Plated	96,24 gr	200 4 x 50 (Box x pcs. each)	€ 3,147	
<b>CF495160H502</b> Female part	Zinc Plated 12µ	66 gr	200 4 x 50 (Box x pcs. each)	€ 2,097	€ 5,244
<b>CG495160H502</b> Male part	Zinc Plated 12µ	96,24 gr	200 4 x 50 (Box x pcs. each)	€ 3,147	
<b>CF495160HN02</b> Female part	Black Zinc Plated	66 gr	200 4 x 50 (Box x pcs. each)	€ 2,248	€ 5,395
<b>CG495160HN04</b> Male part	Black Zinc Plated	96,24 gr	200 4 x 50 (Box x pcs. each)	€ 3,147	

TOOLS	MA700160G006 PVC toolkit for flush doors Page 170	MA701160G035 PVC toolkit for overlay doors Page 172	MA801160G028 Rod Page 176	MC701160G035 PVC jig for overlay doors Page 177	
CAPS	<b>838 Ø17</b> Aluminium cap Page 195	<b>838 Ø18</b> Brass cap Page 197	<b>838 Ø18</b> Nylon cap Page 197	<b>839 Ø18</b> Brass cap Page 200	<b>846 Ø17</b> Aluminium cap Page 202



www.otlav.it - EXACTA 495 Ø16

ADJUSTABLE

## EXACTA 495 Ø16

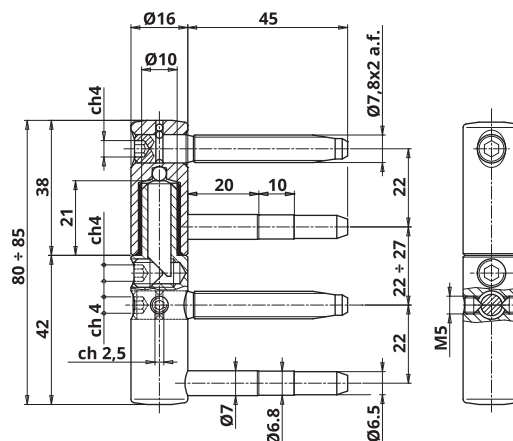
3D adjustable hinge - pins 7,8x45 mm - ANTI-UNTHREADING





Zinc Plated 12µ



4 7 5 1 1 2 0 12



CODE	FINISHING	WEIGHT	Pcs / Box	PRICE PCS.	TOT.
 <b>CF495160H502</b> Female part	Zinc Plated 12µ	66 gr	200 4 x 50 (Box x pcs. each)	€ 2,097	€ 7,038
 <b>CG495160H504</b> Male part	Zinc Plated 12µ	96,24 gr	200 4 x 50 (Box x pcs. each)	€ 4,941	

Short link



www.otlav.it - EXACTA 495 Ø16

## EXACTA 495 Ø16

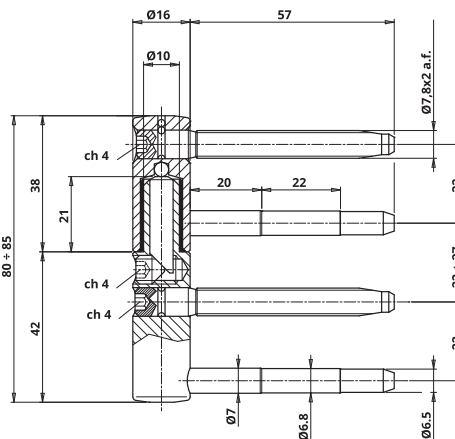
3D adjustable hinge - pins 7,8x57 mm





Zinc Plated 12µ






4 7 5 1 1 2 0 12



CODE	FINISHING	WEIGHT	Pcs / Box	PRICE PCS.	TOT.
 <b>CF495160H507</b> Female part	Zinc Plated 12µ	71,44 gr	200 4 x 50 (Box x pcs. each)	€ 2,216	€ 5,506
 <b>CG495160H507</b> Male part	Zinc Plated 12µ	103,64 gr	200 4 x 50 (Box x pcs. each)	€ 3,29	

TOOLS	MA700160G006	MA701160G035	MA801160G028	MC701160G035	
	PVC toolkit for flush doors Page 170		PVC toolkit for overlay doors Page 172		Rod Page 176
	PVC jig for overlay doors Page 177				

CAPS	838 Ø17	838 Ø18	838 Ø18	839 Ø18	846 Ø17
	Aluminium cap Page 195		Brass cap Page 197		Nylon cap Page 197
	Brass cap Page 200		Aluminium cap Page 202		

Short link



www.otlav.it - EXACTA 495 Ø16

## EXACTA 495 Ø16

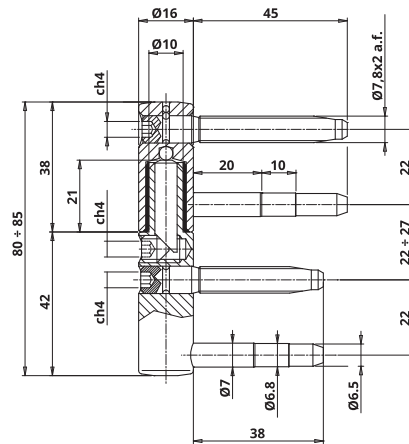
3D adjustable hinge - female pins 7,8x45 mm - male pins 7,8x38 mm



Zinc Plated 12µ



4 7 5 1 1 2 0 12



CODE	FINISHING	WEIGHT	Pcs / Box	PRICE PCS.	TOT.
<b>CF495160H502</b> Female part	Zinc Plated 12µ	66 gr	200 4 x 50 (Box x pcs. each)	€ 2,097	€ 5,387
<b>CG495160H517</b> Male part	Zinc Plated 12µ	96,24 gr	200 4 x 50 (Box x pcs. each)	€ 3,29	

Short link



www.otlav.it - EXACTA 495 Ø16

## EXACTA 495 Ø16

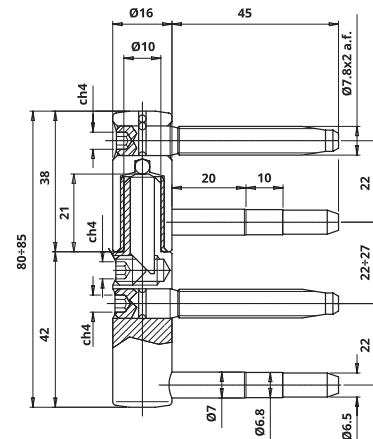
3D adjustable hinge - **stainless steel** - with nylon bush - pins 7,8x45 mm



Matt Stainless Steel



4 7 5 1 1 5 0 12



CODE	FINISHING	WEIGHT	Pcs / Box	PRICE PCS.
<b>CI495160IM02</b> Complete hinge	Matt Stainless Steel	159,77 gr	120 8 x 15 (Box x pcs. each)	€ 30,238

TOOLS	MA700160G006	MA701160G035	MA801160G028	MC701160G035	
	PVC toolkit for flush doors Page 170		PVC toolkit for overlay doors Page 172		Rod Page 176
	PVC jig for overlay doors Page 177		838 Ø17 Aluminium cap Page 195		838 Ø18 Brass cap Page 197
	838 Ø18 Nylon cap Page 197		839 Ø18 Brass cap Page 200		846 Ø17 Aluminium cap Page 202

Short link



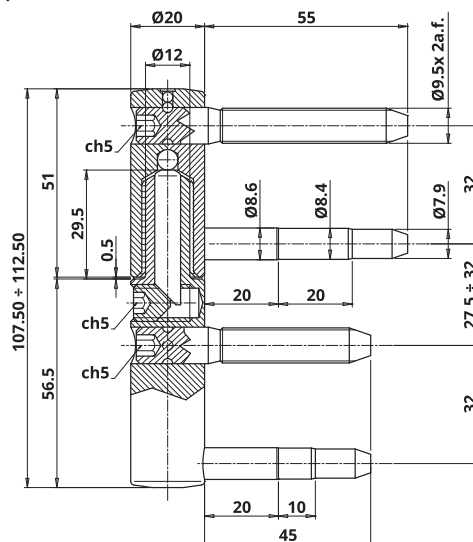
www.otlav.it - EXACTA 495 Ø16



## EXACTA 495 Ø20








3D adjustable hinge - female pins 9,5x55 mm - male pins 9,5x45 mm



Zinc Plated 12µ



CODE	FINISHING	WEIGHT	Pcs / Box	PRICE PCS.	Tot.
 <b>CF495200H502</b> Female part	Zinc Plated 12µ	132,08 gr	100 4 x 25 (Box x pcs. each)	€ 3,895	€ 9,584
 <b>CG495200H509</b> Male part	Zinc Plated 12µ	189,28 gr	100 4 x 25 (Box x pcs. each)	€ 5,689	

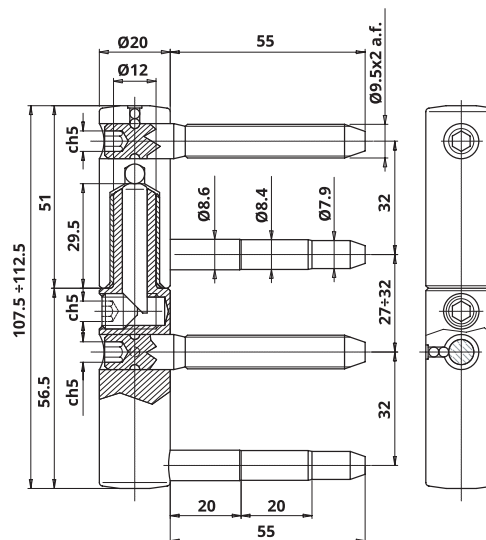
TOOLS	 <b>MA700200G010</b> Wooden toolkit for flush doors Page 171	 <b>MA701200G014</b> PVC toolkit for overlay doors Page 172	 <b>MC701200G009</b> PVC jig for overlay doors Page 177	CAPS	 <b>838 Ø22</b> Brass cap Page 198	 <b>838 Ø22</b> Nylon cap Page 199	 <b>839 Ø22</b> Brass cap Page 201	Short link  www.otlav.it - EXACTA 495 Ø20



## EXACTA 495 Ø20








3D adjustable hinge - pins 9,5x55 mm



Zinc Plated 12µ



CODE	FINISHING	WEIGHT	Pcs / Box	PRICE PCS.	Tot.
 <b>CF495200H502</b> Female part	Zinc Plated 12µ	132,08 gr	100 4 x 25 (Box x pcs. each)	€ 3,895	€ 8,385
 <b>CG495200H502</b> Male part	Zinc Plated 12µ	196,48 gr	100 4 x 25 (Box x pcs. each)	€ 4,49	

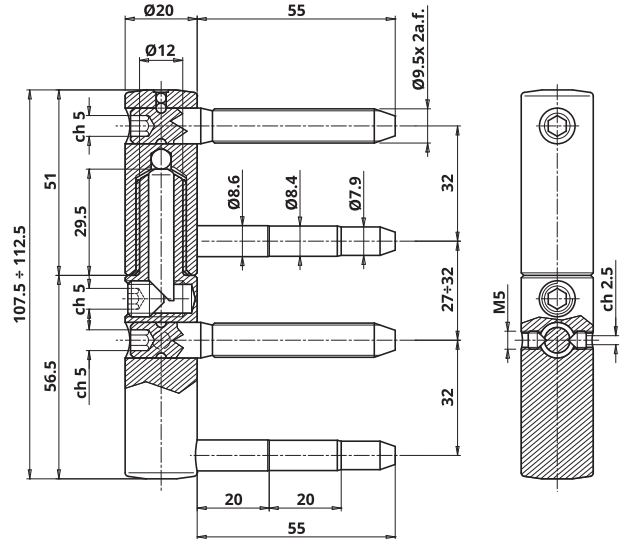
TOOLS	 <b>MA700200G010</b> Wooden toolkit for flush doors Page 171	 <b>MA701200G014</b> PVC toolkit for overlay doors Page 172	 <b>MC701200G009</b> PVC jig for overlay doors Page 177	CAPS	 <b>838 Ø22</b> Brass cap Page 198	 <b>838 Ø22</b> Nylon cap Page 199	 <b>839 Ø22</b> Brass cap Page 201	Short link  www.otlav.it - EXACTA 495 Ø20

## EXACTA 495 Ø20

3D adjustable hinge - pins 9,5x55 mm - ANTI-UNTHREADING



Zinc Plated 12µ



CODE	FINISHING	WEIGHT	Pcs / Box	PRICE PCS.	Tot.
<b>CF495200H502</b> Female part	Zinc Plated 12µ	132,08 gr	100 4 x 25 (Box x pcs. each)	€ 3,895	€ 11,378
<b>CG495200H505</b> Male part	Zinc Plated 12µ	196,48 gr	100 4 x 25 (Box x pcs. each)	€ 7,483	

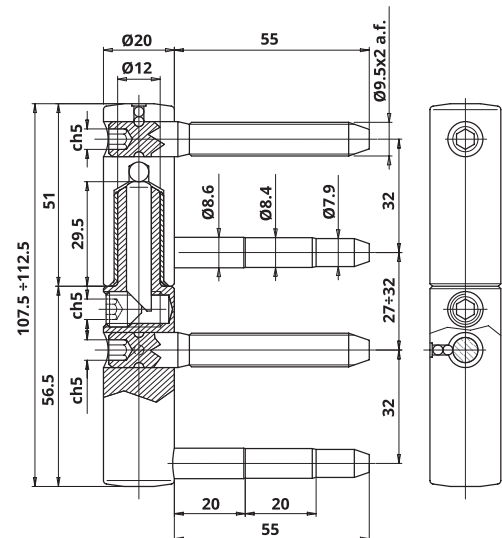
<b>TOOLS</b> <b>MA700200G010</b> Wooden toolkit for flush doors Page 171	<b>MA701200G014</b> PVC toolkit for overlay doors Page 172	<b>MC701200G009</b> PVC jig for overlay doors Page 177	<b>CAPS</b> <b>838 Ø22</b> Brass cap Page 198	<b>838 Ø22</b> Nylon cap Page 199	<b>839 Ø22</b> Brass cap Page 201	Short link 
						www.otlav.it - EXACTA 495 Ø20

## EXACTA 495 Ø20

3D adjustable hinge - **stainless steel** - with nylon bush - pins 9,5x55 mm



Matt Stainless Steel



CODE	FINISHING	WEIGHT	Pcs / Box	PRICE PCS.
<b>CI495200IM02</b> Complete hinge	Matt Stainless Steel	331,79 gr	64 8 x 8 (Box x pcs. each)	€ 57,40

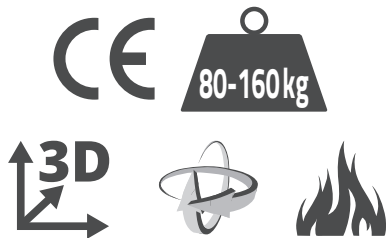
<b>TOOLS</b> <b>MA700200G010</b> Wooden toolkit for flush doors Page 171	<b>MA701200G014</b> PVC toolkit for overlay doors Page 172	<b>MC701200G009</b> PVC jig for overlay doors Page 177	<b>CAPS</b> <b>838 Ø22</b> Brass cap Page 198	<b>838 Ø22</b> Nylon cap Page 199	<b>839 Ø22</b> Brass cap Page 201	Short link 
						www.otlav.it - EXACTA 495 Ø20

# URSUS

495 Ursus Adjustable hinge specific for massive, therefore heavy doors with particularly wide shutters.

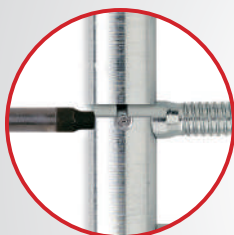
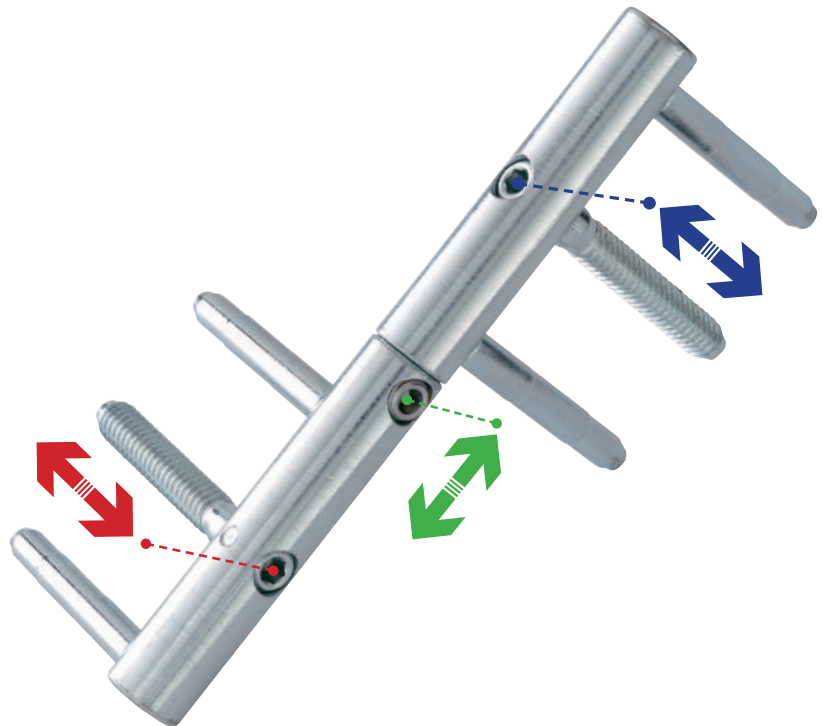
Perfect alignment of the hinge, thanks to the three pins on the male part, that maintain in time the original vertical order of the hinge.

495 Ursus with 5 pins is available in diameter 14, 16 and 18 mm. Ursus hinge Ø14, which can be used with the female part Exacta 495 Ø14, is normally available in the 6 pins version (3 pins on the female and 3 on the male part). Ursus Ø16 and Ø18 are available, on demand, also in the 6-pin version.

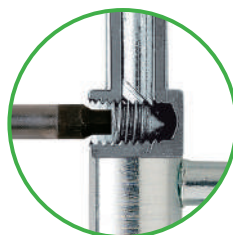


## ADJUSTMENTS

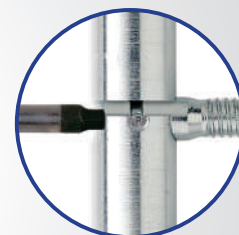
- Height
- Side
- Depth



Depth adjustment



Height adjustment



Side adjustment

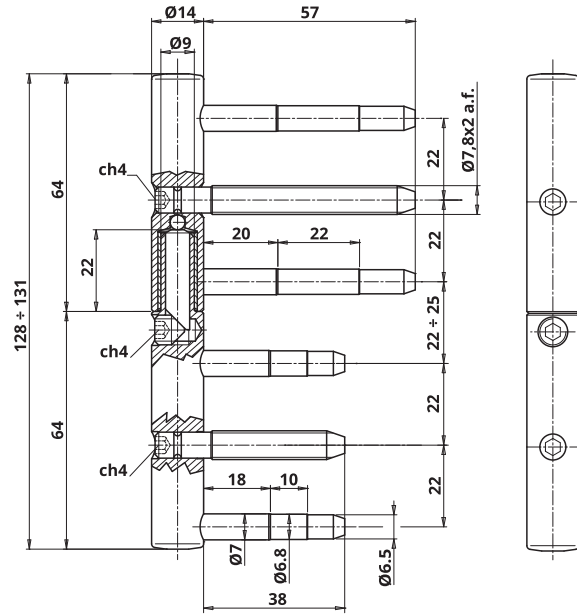
3D adjustable hinge - female 3 pins 7,8x57 mm - male 3 pins 7,8x38 mm - for heavy doors





Super Zinc Plated



3 7 4 1 1 3 0 11



CODE	FINISHING	WEIGHT	Pcs / Box	PRICE PCS.	TOT.
 <b>CF4951408H13</b> Female part	Super Zinc Plated	101,7 gr	180 4 x 45 (Box x pcs. each)	€ 4,45	€ 8,786
 <b>CG4951408H06</b> Male part	Super Zinc Plated	114 gr	180 4 x 45 (Box x pcs. each)	€ 4,336	



**838 Ø15**  
Aluminium cap



# URSUS 495 Ø16

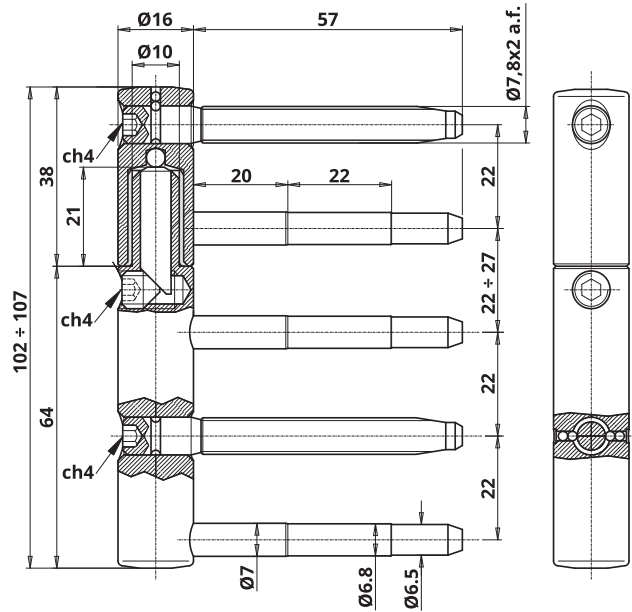
3D adjustable hinge - 5 pins 7,8x57 mm - for heavy doors



Super Zinc Plated



4 7 6 1 1 3 0 13



CODE	FINISHING	WEIGHT	Pcs / Box	PRICE PCS.
 <b>CI4951608H02</b> Complete hinge	Super Zinc Plated	228,26 gr	80 8 x 10 (Box x pcs. each)	€ 9,01

**TOOLS**



**MC701160G067**  
Aluminium jig for overlay doors  
Page 178

**CAPS**



**838 Ø17**  
Aluminium cap  
Page 196

Short link



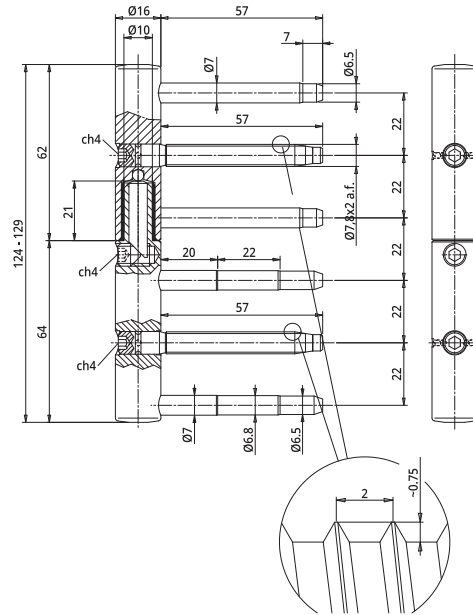
www.otlav.it - URSUS 495 Ø16





Super Zinc Plated



4 7 6 1 1 3 0 13



CODE	FINISHING	WEIGHT	Pcs / Box	PRICE PCS.	TOT.
 <b>CF4951608H11</b> Female part on loader	Super Zinc Plated	132 gr	102 1 x 102 (Box x pcs. each)	€ 6,201	€ 12,433
 <b>CG4951608H02</b> Male part	Super Zinc Plated	156,82 gr	80 8 x 10 (Box x pcs. each)	€ 6,232	



**838 Ø17**  
Aluminium cap



# URSUS 495 Ø16

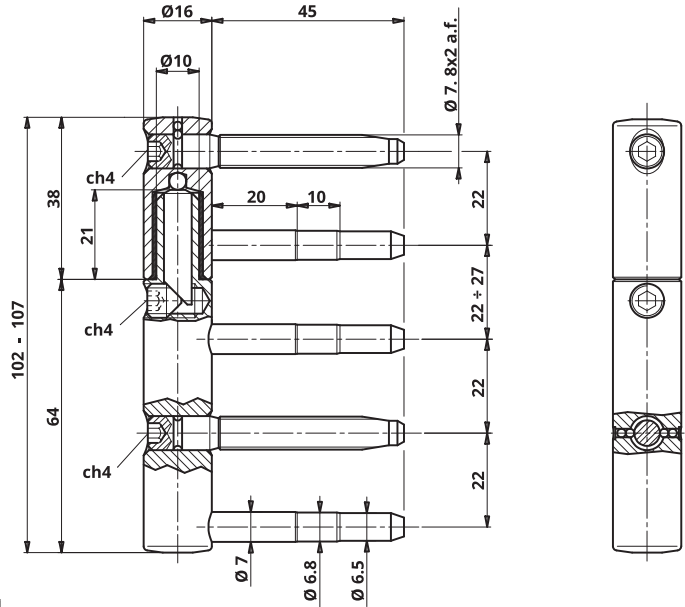
3D adjustable hinge - 5 pins 7,8x45 mm - for heavy doors



Super Zinc Plated



4 7 6 1 1 3 0 13



CODE	FINISHING	WEIGHT	Pcs / Box	PRICE PCS.
 <b>CI4951608H07</b> Complete hinge	Super Zinc Plated	210 gr	80 8 x 10 (Box x pcs. each)	€ 8,456

**TOOLS**



**MC701160G067**  
Aluminium jig for overlay doors  
Page 178

**CAPS**



**838 Ø17**  
Aluminium cap  
Page 196

Short link



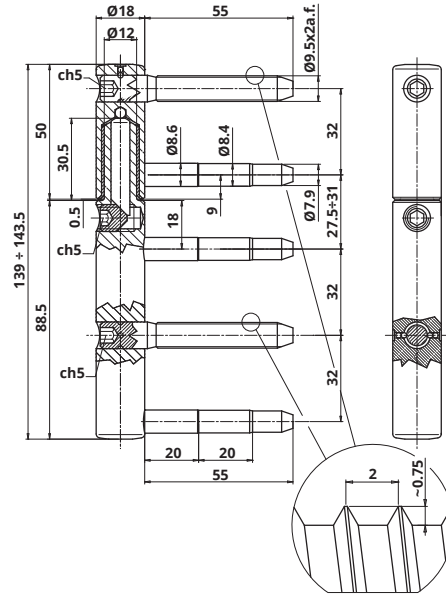
www.otlav.it - URSUS 495 Ø16



Super Zinc Plated



4 7 7 1 1 3 0 14



CODE	FINISHING	WEIGHT	Pcs / Box	PRICE PCS.
 <b>CI4951808H02</b> Complete hinge	Super Zinc Plated	362,65 gr	40 4 x 10 (Box x pcs. each)	€ 11,982

TOOLS



**MA701180G008**  
Aluminium jig for overlay doors  
Page 173

CAPS



**838 Ø19**  
Aluminium cap  
Page 198

Short link



www.otlav.it - URSUS 495 Ø18

## URSUS 495 Ø18

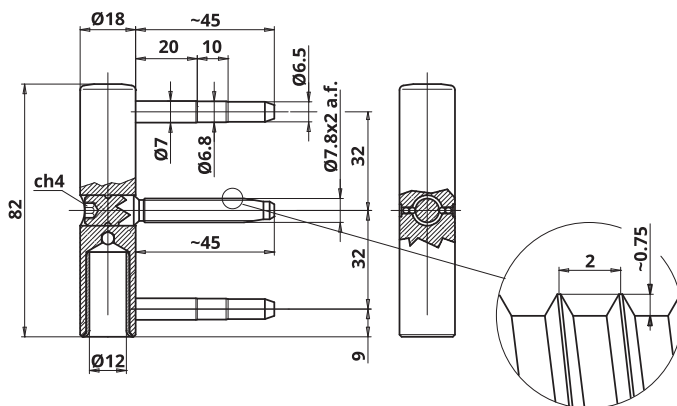
Female part with 3 pins 7,8x45 mm - adjustable - with nylon bush




Super Zinc Plated




4 7 7 1 1 3 0 14



CODE	FINISHING	WEIGHT	Pcs / Box	PRICE PCS.
 <b>CF4951808H07</b> Female part	Super Zinc Plated	164,5 gr	80 4 x 20(Box x pcs. each)	€ 5,115

**CAPS**



**838 Ø19**  
Aluminium cap  
Page 198

Short link



www.otlav.it - URSUS 495 Ø18

## URSUS 495 Ø18

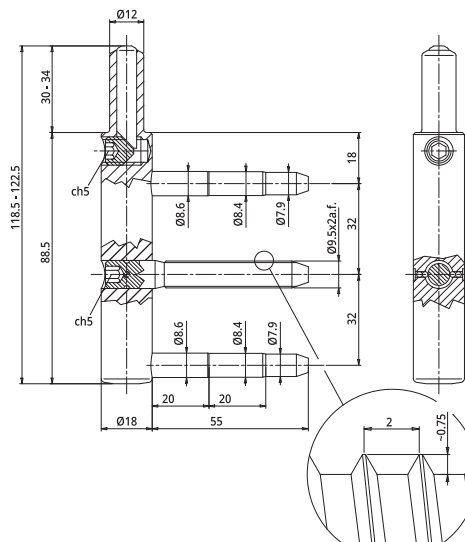
Male part with 3 pins 9,5x55 mm - adjustable



Super Zinc Plated



4 7 7 1 1 3 0 14




CODE	FINISHING	WEIGHT	Pcs / Box	PRICE PCS.
 <b>CG4951808H23</b> Male part	Super Zinc Plated	265 gr	80 4 x 20(Box x pcs. each)	€ 10,025

**TOOLS**



**MA701180G008**  
Aluminium jig for overlay doors  
Page 173

**CAPS**



**838 Ø19**  
Aluminium cap  
Page 198

Short link



www.otlav.it - URSUS 495 Ø18

Hinges for  
**METAL** profiles

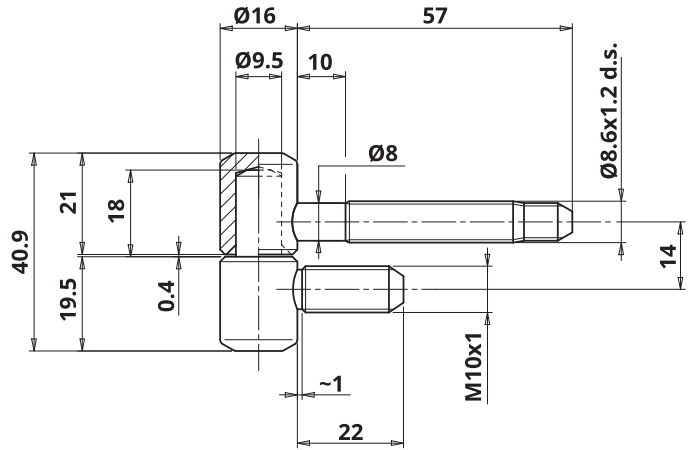




## 031 Ø16

Hinge - female pin 8,6x57 mm - male pin M10x22 mm



Zinc Plated



CODE	FINISHING	WEIGHT	Pcs / Box	PRICE PCS.	Tot.
 <b>CF031160H006</b> Female part	Zinc Plated	42,95 gr	320 4 x 80 (Box x pcs. each)	€ 0,51	€ 1,143
 <b>CG031160H006</b> Male part	Zinc Plated	50,87 gr	390 1 x 390 (Box x pcs. each)	€ 0,633	

Short link



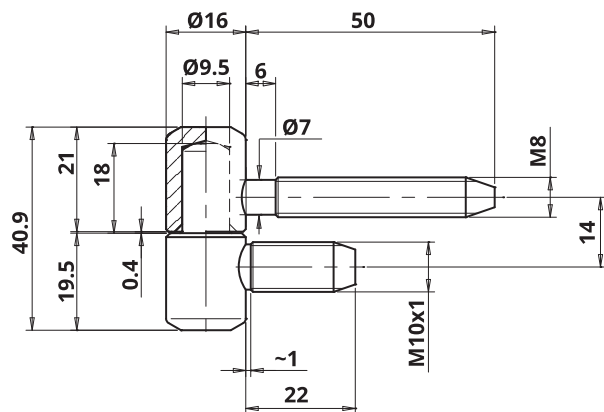
www.otlav.it - 031 Ø16



## 031 Ø16

Hinge - female pin 8,6x57 mm - male pin M10x22 mm



Nickel Plated



CODE	FINISHING	WEIGHT	Pcs / Box	PRICE PCS.	Tot.
 <b>CF031160N006</b> Female part	Nickel Plated	37,7 gr	320 4 x 80 (Box x pcs. each)	€ 0,608	€ 1,392
 <b>CG031160N002</b> Male part	Nickel Plated	50,87 gr	320 4 x 80 (Box x pcs. each)	€ 0,784	

Short link



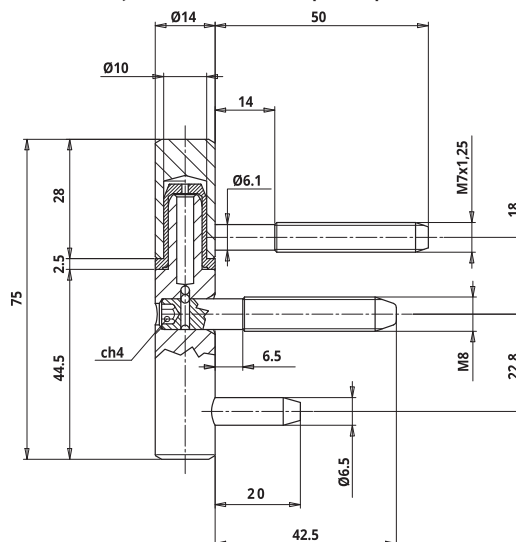
www.otlav.it - 031 Ø16


**095 Ø14**

Complete hinge, female part with nylon bush, adjustable male part pin M8x42,5 mm



Static Nickel Plated



CODE	FINISHING	WEIGHT	Pcs / Box	PRICE PCS.
 <b>CI095140N106</b> Complete hinge	Static Nickel Plated	105,35 gr	180 18 x 10(Box x pcs. each)	On request

Short link



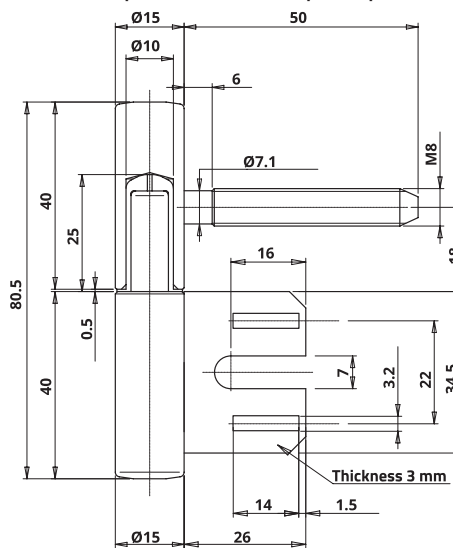
www.otlav.it - 095 Ø14



**102 Ø15**

Hinge - male part with plate, female part pin M8x50 mm



Nickel Plated



CODE	FINISHING	WEIGHT	Pcs / Box	PRICE PCS.	TOT.
 <b>CF100150N007</b> Female part	Nickel Plated	52,3 gr	300 1 x 300(Box x pcs. each)	€ 0,64	€ 2,132
 <b>CG102150N021</b> Male part with plate	Nickel Plated	56,73 gr	250 1 x 250(Box x pcs. each)	€ 1,492	

Short link

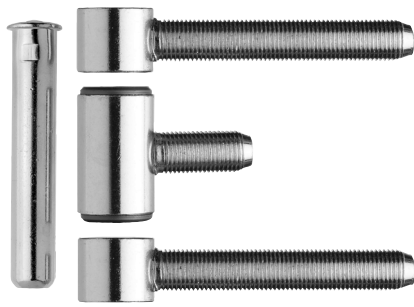


www.otlav.it - 102 Ø15

METAL | 149

# 320 Ø18

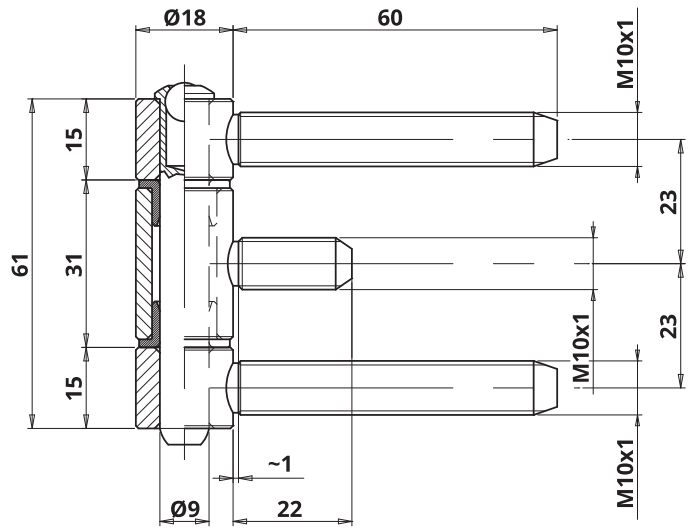
3-bushes hinge - side pins M10x60 mm - central pin M10x22 mm






Nickel Plated



3 7 4 1 1 1 0 11



CODE	FINISHING	WEIGHT	Pcs / Box	PRICE PCS.
 <b>CE015180N026</b> Side bush for art. 320 Ø18	Nickel Plated	53,06 gr	360 4 x 90 (Box x pcs. each)	On request
 <b>CE031180N005</b> Central bush with nylon ring for art. 320 Ø18	Nickel Plated	42,26 gr	480 4 x 120 (Box x pcs. each)	On request
 <b>FP069090N003</b> Pivot for 320 Ø18	Nickel Plated	31,58 gr	640 4 x 160 (Box x pcs. each)	€ 0,676

Short link



www.otlav.it - 320 Ø18

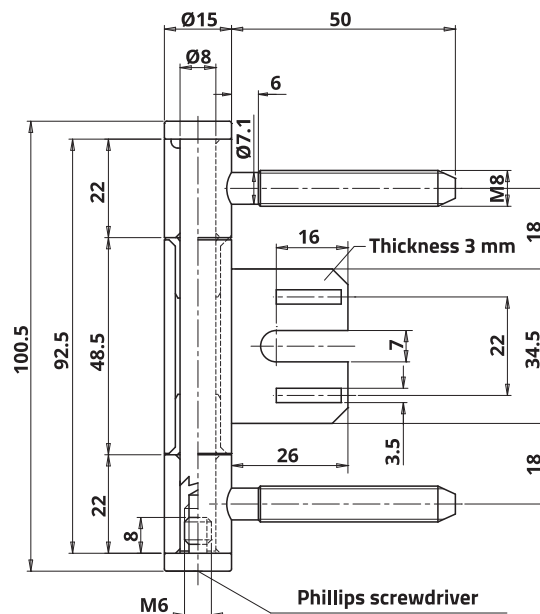









Matt Black



2 7 3 1 1 \* 0 10

\*Depending on the finish:  
 Matt Black 4  
 Nickel Plated 1



CODE	FINISHING	WEIGHT	Pcs / Box	PRICE PCS.
 <b>CI3351509N04</b> Complete hinge	Matt Black	154,08 gr	100 4 x 25 (Box x pcs. each)	€ 8,425
 <b>CI335150N029</b> Complete hinge	Nickel Plated	154,08 gr	100 4 x 25 (Box x pcs. each)	€ 3,471
 <b>CI335150N017</b> 2 Side bushes with pivot and head for art. 335 Ø15	Nickel Plated	114,4 gr	160 4 x 40 (Box x pcs. each)	€ 2,326
 <b>CE022146N002</b> Side bush with 50 mm pin for art. 335 Ø15	Nickel Plated	35,63 gr	400 1 x 400 (Box x pcs. each)	€ 0,581
 <b>CE047146N008</b> Central bush with plate and nylon ring for art. 335 Ø15	Nickel Plated	49,2 gr	300 1 x 300 (Box x pcs. each)	€ 1,24
 <b>FP096080N004</b> Pivot for 335 Ø15	Nickel Plated	38,6 gr	400 1 x 400 (Box x pcs. each)	€ 0,922
 <b>TE012150N005</b> Head for art. 335 Ø15	Nickel Plated	6,6 gr	3200 8 x 400 (Box x pcs. each)	€ 0,138

Short link



www.otlav.it - 335 Ø15

# EXACTA 495 Ø16

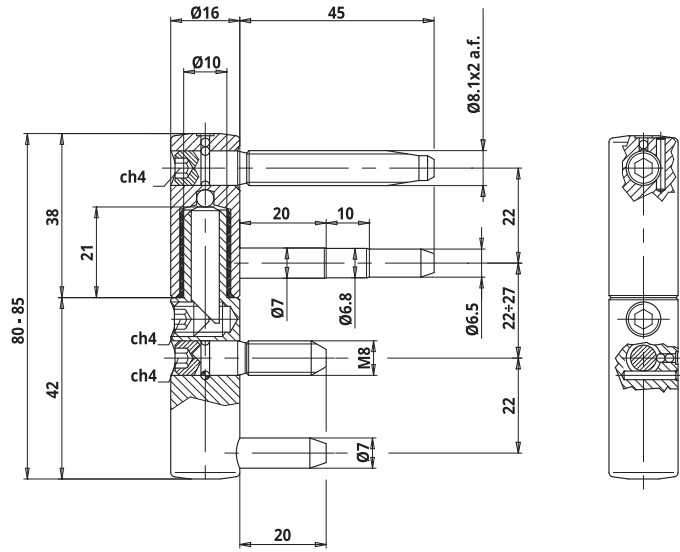
3D adjustable hinge - female pins 8,1x45 mm - male pins M8x20 mm - ANTI-UNTHREADING





Zinc Plated 12µ



4 7 5 1 1 2 0 12



CODE	FINISHING	WEIGHT	Pcs / Box	PRICE PCS.
 <b>CF495160H514</b> Female part	Zinc Plated 12µ	64,44 gr	200 4 x 50 (Box x pcs. each)	On request
 <b>CG495160H541</b> Male part	Zinc Plated 12µ	82,84 gr	200 1 x 200 (Box x pcs. each)	On request

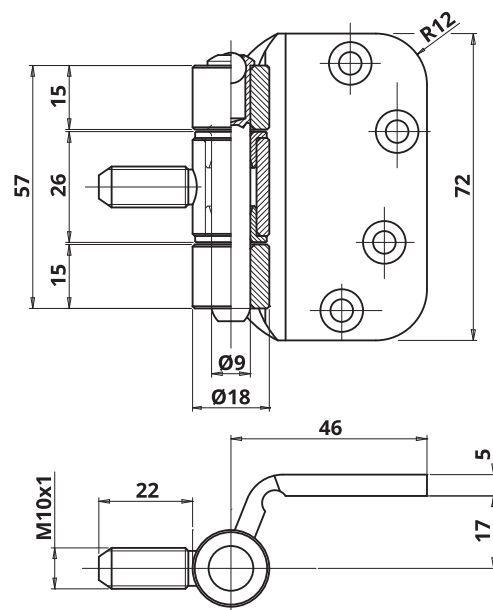
Short link






www.otlav.it - EXACTA Ø16



Zinc Plated



CODE	FINISHING	WEIGHT	Pcs / Box	PRICE PCS.	TOT.
 <b>CE026180H002</b> Central bush with nylon ring for art. 750 Ø18	Zinc Plated	34,05 gr	400 4 x 100 (Box x pcs. each)	€ 1,915	
 <b>CG750180H008</b> Side bush with plate for art. 750 Ø18	Zinc Plated	157 gr	100 1 x 100 (Box x pcs. each)	€ 3,78	€ 6,148
 <b>FP062090H005</b> Pivot for 750 Ø18	Zinc Plated	27,66 gr	800 8 x 100 (Box x pcs. each)	€ 0,453	

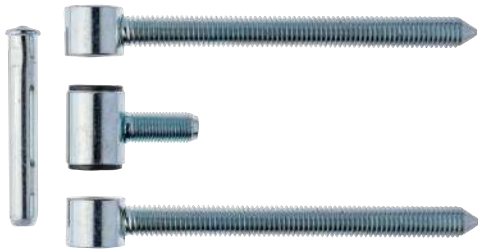
Short link



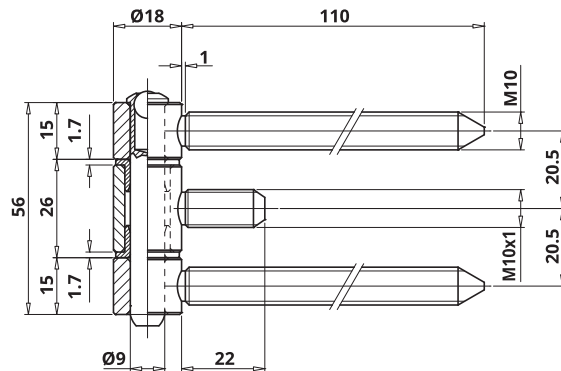
www.otlav.it - 750 Ø18




# 750 Ø18

3-bushes hinge - side pins M10x110 mm - central pin M10x22 mm



Zinc Plated



CODE	FINISHING	WEIGHT	Pcs / Box	PRICE PCS.
 <b>CE015180H021</b> Side bush for art. 750 Ø18	Zinc Plated	71,3 gr	200 1 x 200 (Box x pcs. each)	€ 1,776
 <b>CE026180H002</b> Central bush with nylon ring for art. 750 Ø18	Zinc Plated	34,05 gr	400 4 x 100 (Box x pcs. each)	€ 1,915
 <b>FP062090H005</b> Pivot for 750 Ø18	Zinc Plated	27,66 gr	800 8 x 100 (Box x pcs. each)	€ 0,453

Short link



www.otlav.it - 750 Ø18

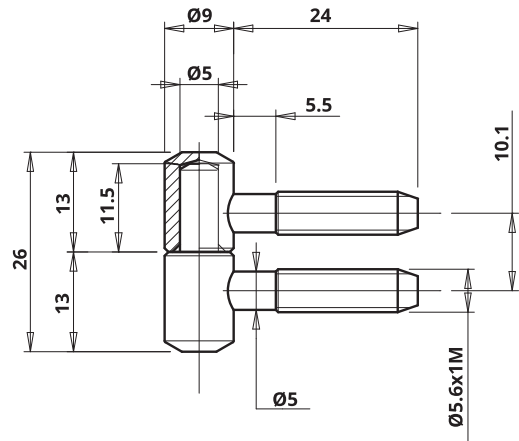






Hinges for  
**FURNITURE**

## 530 Ø9



Brass Plated



CODE	FINISHING	WEIGHT	Pcs / Box	PRICE PCS.	TOT.
 <b>CF530090H008</b> Female part	Zinc Plated	7,63 gr	1600 4 x 400 (Box x pcs. each)	€ 0,161	€ 0,357
 <b>CG530090H008</b> Male part	Zinc Plated	11,29 gr	1600 4 x 400 (Box x pcs. each)	€ 0,196	
 <b>CF5300900004</b> Female part	Brass Plated	7,63 gr	1600 4 x 400 (Box x pcs. each)	€ 0,183	€ 0,405
 <b>CG5300900006</b> Male part	Brass Plated	11,29 gr	1600 4 x 400 (Box x pcs. each)	€ 0,222	

TOOLS



**MA701090G002**  
Wooden toolkit  
for overlay doors  
Page 171



**MC701090G002**  
Wooden jig for  
overlay doors  
Page 176

Short link

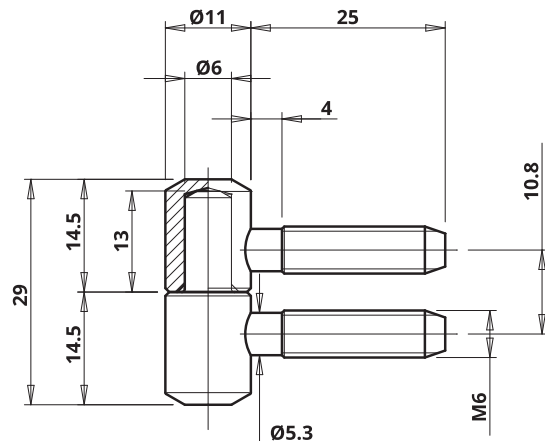




www.otlav.it - 530 Ø9

## 530 Ø11



Zinc Plated



CODE	FINISHING	WEIGHT	Pcs / Box	PRICE PCS.
 <b>CF530110H006</b> Female part	Zinc Plated	11,03 gr	1200 4 x 300 (Box x pcs. each)	On request
 <b>CG530110H004</b> Male part	Zinc Plated	16,87 gr	1200 4 x 300 (Box x pcs. each)	On request

TOOLS



**MA701110G002**  
Wooden toolkit  
for overlay doors  
Page 171

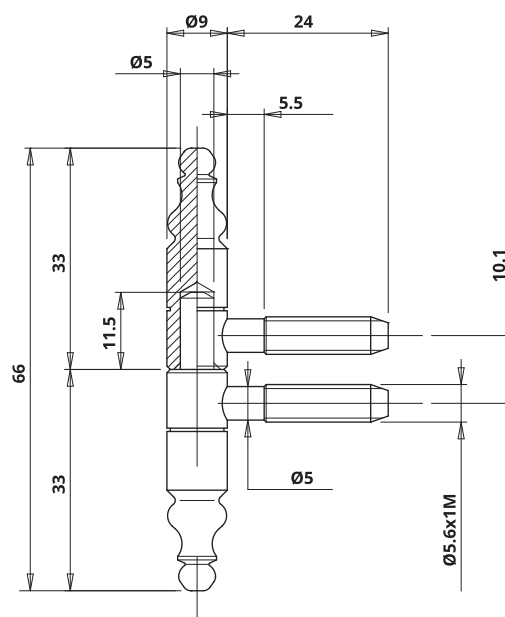
Short link









www.otlav.it - 530 Ø11



Brass Plated



CODE	FINISHING	WEIGHT	Pcs / Box	PRICE PCS.
 <b>CI605090B104</b> Complete hinge	Special Bronze Plated	31,17 gr	640 4 x 160 (Box x pcs. each)	On request
 <b>CF605090BN08</b> Female part	Bronze Plated	14,06 gr	1200 8 x 150 (Box x pcs. each)	On request
 <b>CG605090BN14</b> Male part	Bronze Plated	17,89 gr	1200 8 x 150 (Box x pcs. each)	On request
 <b>CI605090BN10</b> Complete hinge	Bronze Plated	31,17 gr	640 8 x 80 (Box x pcs. each)	On request
 <b>CF6050900006</b> Female part	Brass Plated	14,06 gr	1200 8 x 150 (Box x pcs. each)	On request
 <b>CG6050900008</b> Male part	Brass Plated	17,89 gr	1200 8 x 150 (Box x pcs. each)	On request

## Tools



**MA701090G002**  
Wooden toolkit  
for overlay doors  
Page 171



**MC701090G002**  
Wooden jig for  
overlay doors  
Page 176

Short link

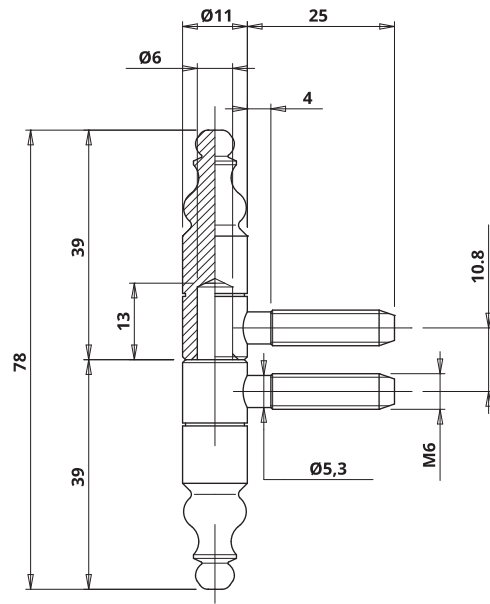






www.otlav.it - 605 Ø9

# 605 Ø11



Bronze Plated



CODE	FINISHING	WEIGHT	Pcs / Box	PRICE PCS.	TOT.
 <b>CF605110BN03</b> Female part	Bronze Plated	20,17 gr	680 4 x 170 (Box x pcs. each)	€ 0,341	€ 0,761
 <b>CG605110BN03</b> Male part	Bronze Plated	29,19 gr	680 4 x 170 (Box x pcs. each)	€ 0,42	
 <b>CF6051100003</b> Female part	Brass Plated	20,17 gr	680 4 x 170 (Box x pcs. each)	€ 0,38	€ 0,821
 <b>CG6051100003</b> Male part	Brass Plated	29,19 gr	680 4 x 170 (Box x pcs. each)	€ 0,441	

**TOOLS**



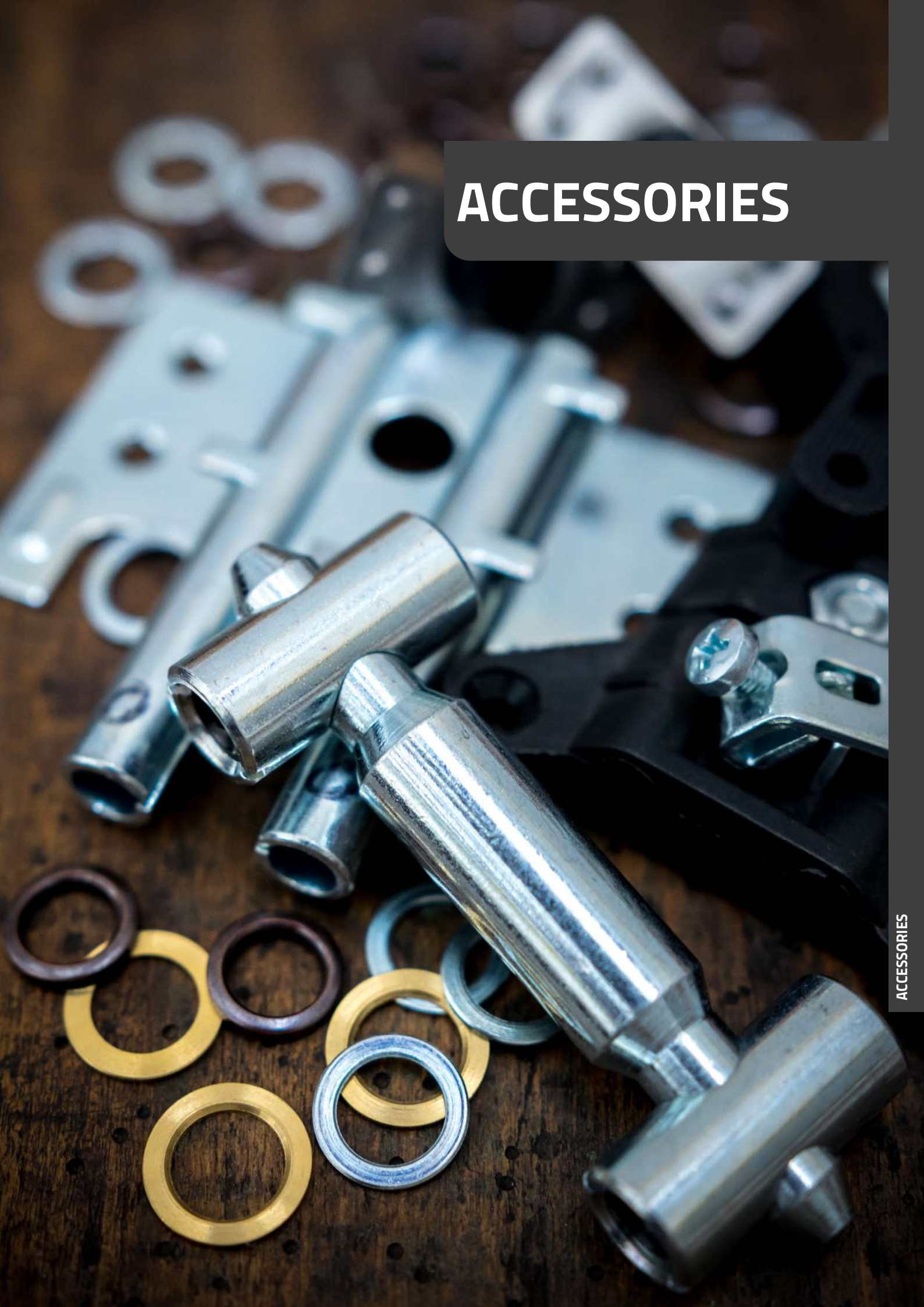
**MA701110G002**  
Wooden toolkit  
for overlay doors  
Page 171

Short link



www.otlav.it - 605 Ø11

# ACCESSORIES

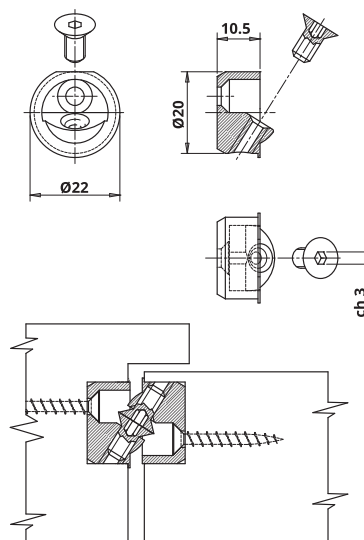


## AI S98

Door alignment device



Satinized Silver



CODE	FINISHING	WEIGHT	Pcs / Box	PRICE PCS.
 <b>AIS98200V702</b>	Satinized Silver	15 gr	1280 8 x 160 (Box x pcs. each)	€ 1,891

Every door requires 2 AI S98 that must be fitted opposite each other.

Short link



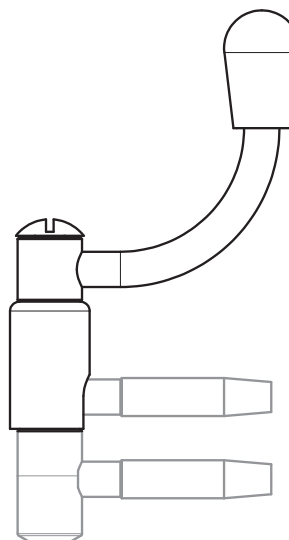
www.otlav.it - AI S98


## CERNIPANNI

Hanger cap



Zinc Plated



CODE	FINISHING	WEIGHT	Pcs / Box	PRICE PCS.
 <b>CNGIA140H003</b>	Zinc Plated	70,7 gr	32 4 x 8 (Box x pcs. each)	€ 11,474

Short link



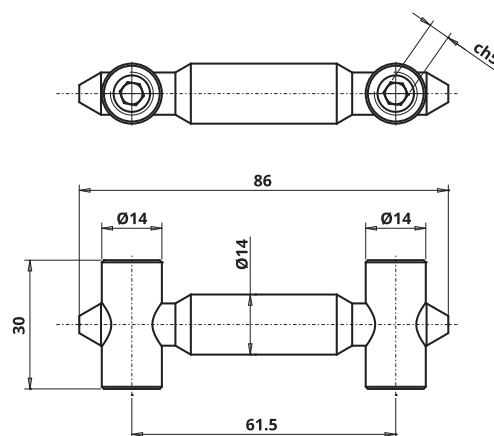
www.otlav.it - CERNIPANNI


## JR 512

Door angle connector



Zinc Plated



CODE	FINISHING	WEIGHT	Pcs / Box	PRICE PCS.
 JR512140H104	Zinc Plated	122,1 gr	160 4 x 40 (Box x pcs. each)	€ 5,572

Short link



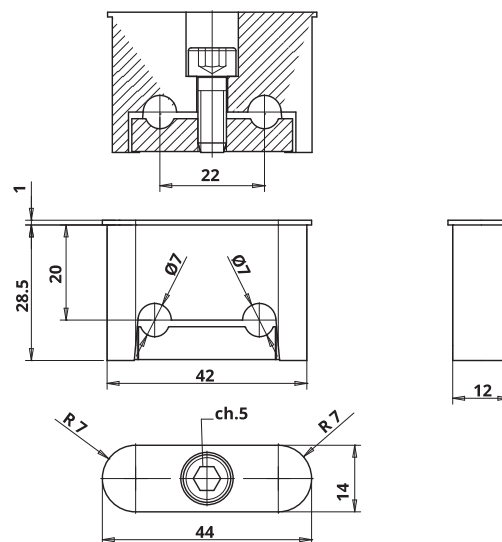
www.otlav.it - JR 512


## JR 513

Zamak fixing plate for art. CG100, CG101 and CI335



Zinc Plated



CODE	FINISHING	WEIGHT	Pcs / Box	PRICE PCS.
 JR513200H002	Zinc Plated	72,8 gr	280 4 x 70 (Box x pcs. each)	On request

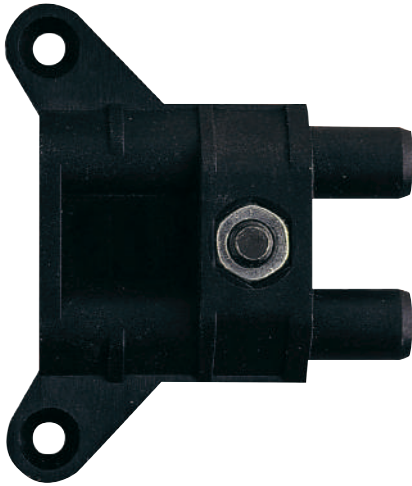
Short link



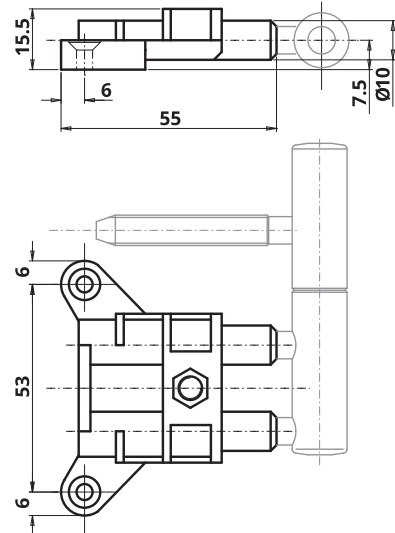
www.otlav.it - JR 513

## JR 519

Resin fixing plate for art. CG100, CG101 and CI335



Black Nylon



CODE	FINISHING	WEIGHT	Pcs / Box	PRICE PCS.
 JR519070Y204	Black Nylon	23,41 gr	200 1 x 200(Box x pcs. each)	€ 1,02

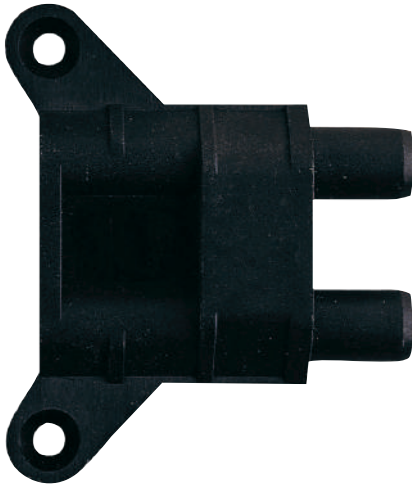
Short link



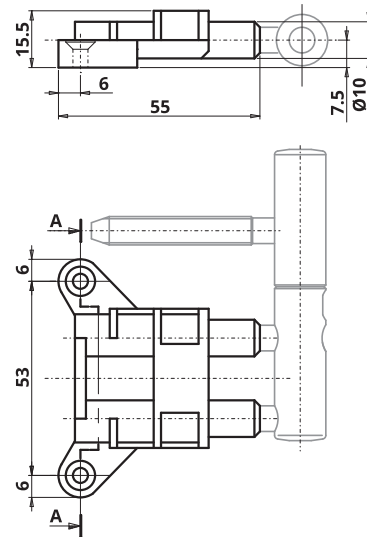
www.otlav.it - JR 519


## JR 519

Resin fixing plate for art. 491 Ø14



Black Nylon



CODE	FINISHING	WEIGHT	Pcs / Box	PRICE PCS.
 JR519070Y206	Black Nylon	14,71 gr	200 1 x 200(Box x pcs. each)	€ 1,024

Short link



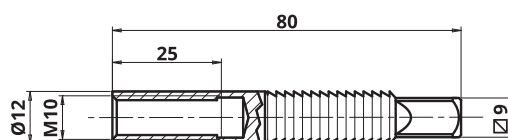
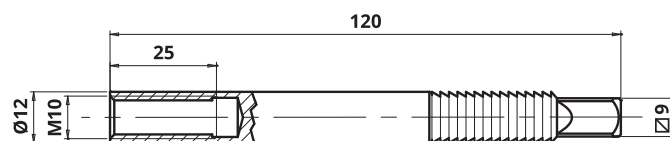
www.otlav.it - JR 519



## JR 520

Metal pocket for pin



Zinc Plated



CODE	FINISHING	WEIGHT	Pcs / Box	PRICE PCS.
 <b>JR520M10H002</b> Metal pocket for pin M10x80 mm	Zinc Plated	45 gr	400 4 x 100 (Box x pcs. each)	€ 0,976
 <b>JR520M10H004</b> Metal pocket for pin M10x120 mm	Zinc Plated	79 gr	240 4 x 60 (Box x pcs. each)	€ 1,534

Short link



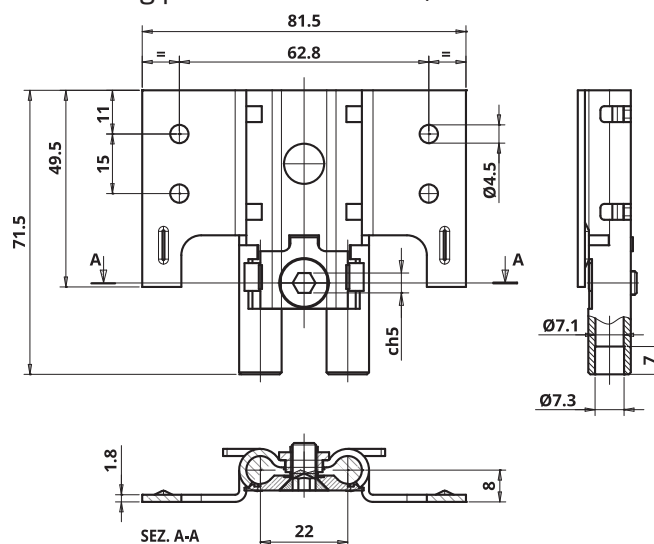
www.otlav.it - JR 520


## JR 521

Metal fixing plate for art. CG100, CG101 and CI335



Zinc Plated



CODE	FINISHING	WEIGHT	Pcs / Box	PRICE PCS.
 <b>JR521080H005</b>	Zinc Plated	89 gr	100 1 x 100 (Box x pcs. each)	€ 2,418

Short link



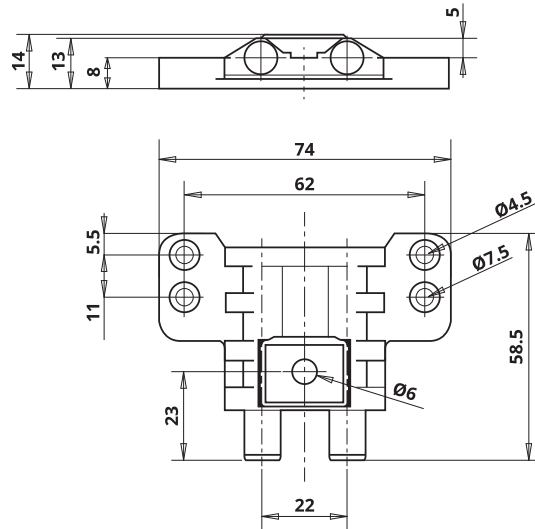
www.otlav.it - JR 521

## JR 523

Nylon fixing plate for art. CG100, CG101 and CI335



Black Nylon



CODE	FINISHING	WEIGHT	Pcs / Box	PRICE PCS.
 JR523070Y202	Black Nylon	30 gr	125 1 x 125(Box x pcs. each)	€ 1,174

Short link



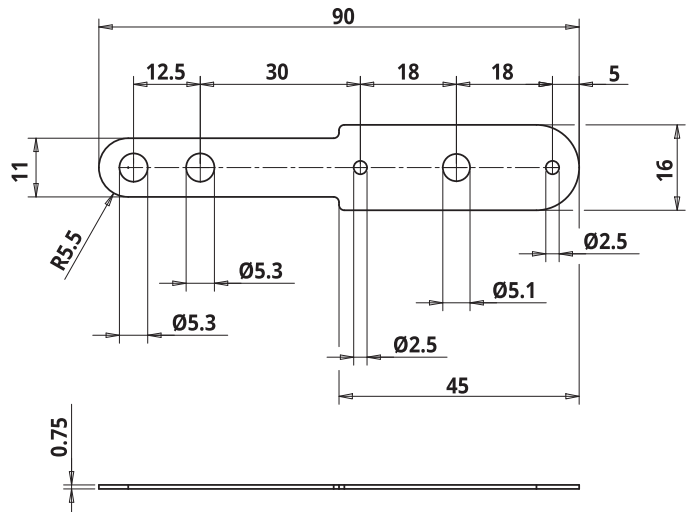
www.otlav.it - JR 523


## PP 007

Shim for BIXACTA



White



CODE	FINISHING	WEIGHT	Pcs / Box	PRICE PCS.
 PP007090Y302	White Nylon (RAL 9010)	1,32 gr	1 (Unpacked)	On request

Short link



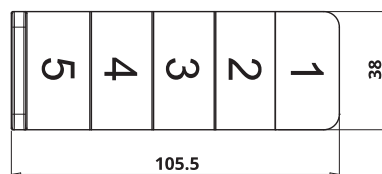
www.otlav.it - PP 007


# PP 105

Wedge with 5 spacers (1-2-3-4-5 mm)



Black Nylon



CODE	FINISHING	WEIGHT	Pcs / Box	PRICE PCS.
 <b>PP105050Y202</b>	Black Nylon	14 gr	1 (Unpacked)	€ 0,597

Short link



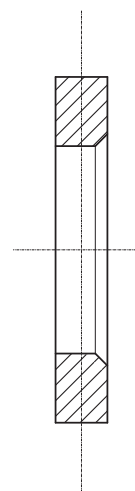
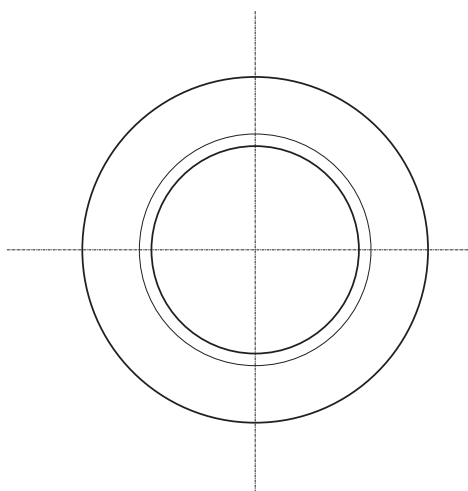
[www.otlav.it](http://www.otlav.it) - PP 105






## RO 720

### Washers



Natural



CODE	FINISHING	WEIGHT	Pcs / Box	PRICE PCS.
 <b>RO720130G004</b> Raw brass washer, thickness 1 mm, for hinge Ø13*	Natural	0,48 gr	1 1 x 1 (Unpacked)	€ 0,233
 <b>RO720130H004</b> Zinc plated brass washer, thickness 2 mm, for hinge Ø13*	Zinc Plated	1,23 gr	1 1 x 1 (Unpacked)	€ 0,299
 <b>RO720130PI02</b> Plastified brass washer, thickness 1 mm, for hinge Ø13*	White (RAL 9016)	0,48 gr	1 1 x 1 (Unpacked)	On request
 <b>RO720140G004</b> Raw brass washer, thickness 1 mm, for hinge Ø14	Natural	0,58 gr	1 1 x 1 (Unpacked)	€ 0,281
 <b>RO720160G004</b> Raw brass washer, thickness 1 mm, for hinge Ø16	Natural	0,92 gr	1 1 x 1 (Unpacked)	€ 0,553

\*Except 050 Ø13

Short link



www.otlav.it - RO 720

# SALVADITA

It is a patented safety device.

It provides protection against violent closing of doors which can cause serious damages and impairments.

Situations that can be particularly dangerous when children are involved with their fragile hands. When a door is slammed, SALVADITA system intervenes and blocks the door just before it completely closes. In fact **the system is activated only when a door is closed so violently that it can cause physical damage to a hand which remains trapped between the door and door frame.** On the contrary, if the door moves at an ordinary speed, the SalvaDita device returns in its seat and it allows the door to close normally.

Otlav SalvaDita has been subjected to IHD (Institute for Wood Technology Dresden) comprehensive tests for durability and reliability.

## DOORS ALWAYS SAFE EVERYWHERE

Schools, nursery schools, homes. These are all places where we live and where accidents are lying in wait. Places where a door may become a cause of injuries.

**The Royal Society for the Prevention of Accidents (RoSPA) reported that in UK every year 30,000 children trap their fingers in doors, with more than 1,500 of these needing surgery and one out of six resulting in amputation.**

In Germany, the National Fund for Accidents, in accordance with the regulation on safety and health protection in nursery schools (GUV-SI 8045, München 2004) **estimated that about 5.7% of the injuries in kindergartens concern the crushing of the fingers in the doors,** not a negligible percentage, given the severity of the consequences, even chronic, that accidents of this kind may have.

Otlav has developed the SalvaDita system, a protection for fingers. It is an ingenious solution which allows us to live safely within our surroundings.

When a door is slammed the SalvaDita system intervenes and blocks the door closing.

**No more injured fingers.**

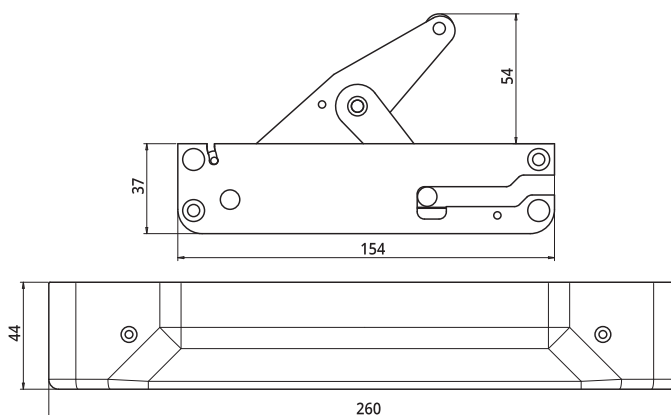


EP2761118



# SD 040

SALVADITA



CODE	FINISHING	WEIGHT	Pcs / Box	PRICE PCS.
 SD040155V702	Satinized Silver	810 gr	2 2 x 1 (Box)	On request



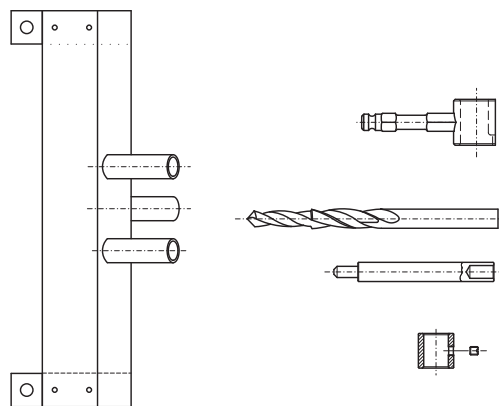
www.otlav.it - SD 040

# TOOLS



## MA 700

Wooden toolkit for flush doors with accessories



CODE	WEIGHT	Pcs / Box	PRICE PCS.
<b>MA700140G002</b> For 030 Ø14, 055 Ø14, 057 Ø14, 190 Ø14, 300 Ø14 and 355 Ø14 hinges	613 gr	1	€ 101,20

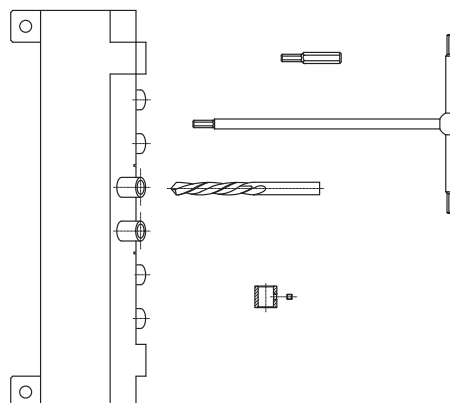
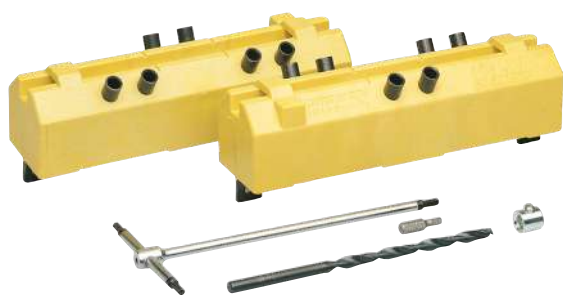
Short link



www.otlav.it - MA 700

## MA 700

PVC toolkit for flush doors with accessories



CODE	WEIGHT	Pcs / Box	PRICE PCS.
<b>MA700160G006</b> For EXACTA Ø14, Ø16 and 488 Ø16	603 gr	1	€ 142,10

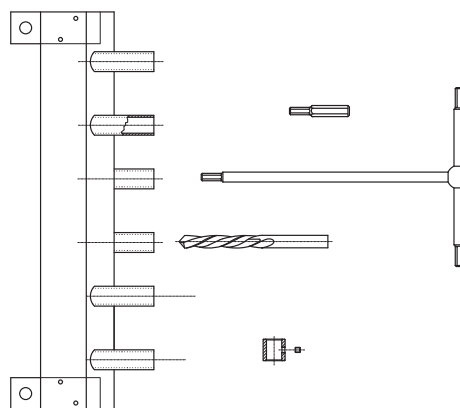
Short link



www.otlav.it - MA 700

## MA 700

Wooden toolkit for flush doors with accessories



CODE	WEIGHT	Pcs / Box	PRICE PCS.
<b>MA700200G010</b> For EXACTA Ø20	773 gr	1	€ 208,80

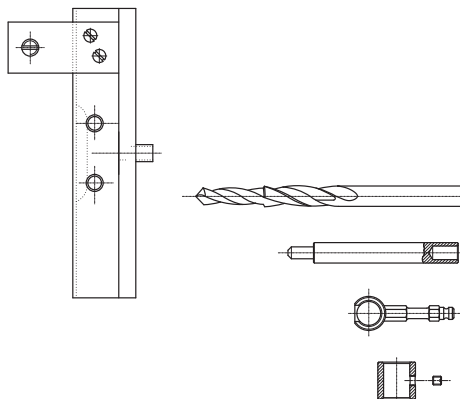
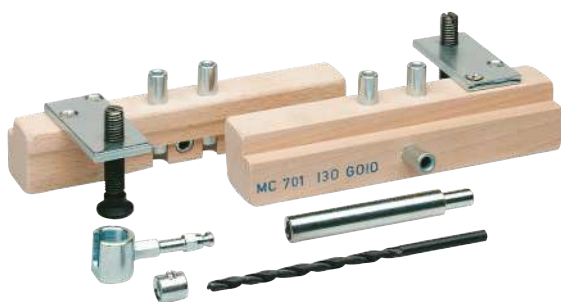
Short link



www.otlav.it - MA 700

## MA 701

Wooden toolkit for overlay doors with accessories



CODE	WEIGHT	Pcs / Box	PRICE PCS.
<b>MA701090G002</b> For Ø9 hinges	553 gr	1	€ 198,00
<b>MA701110G002</b> For Ø11 hinges	553 gr	1	€ 110,21

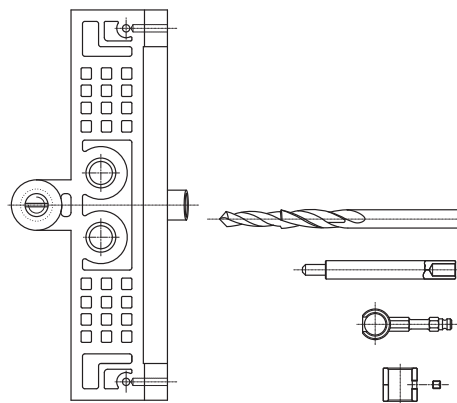
Short link



www.otlav.it - MA 701

## MA 701

PVC toolkit for overlay doors with accessories



CODE	WEIGHT	Pcs / Box	PRICE PCS.
<b>MA701130G018</b> For 030 Ø13, 055 Ø13, 057 Ø13, 070 Ø13, 075 Ø13, 080 Ø13, 085 Ø13, 190 Ø13, 210 Ø13, 300 Ø13 and 355 Ø13 hinges	453 gr	1	€ 93,112
<b>MA701140G011</b> For 030 Ø14, 055 Ø14, 057 Ø14, 190 Ø14, 300 Ø14 and 355 Ø14 hinges	563 gr	1	€ 100,528

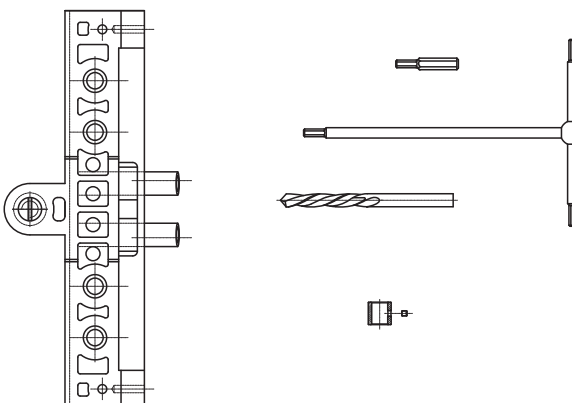
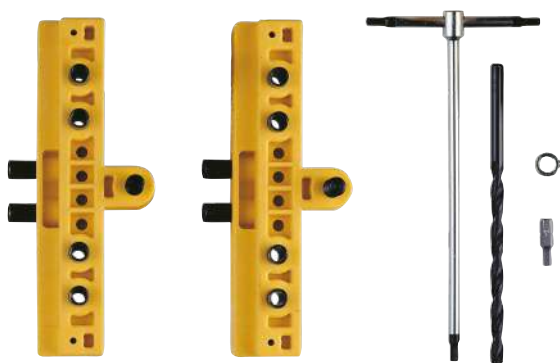
Short link



www.otlav.it - MA 701

## MA 701

PVC toolkit for overlay doors with accessories



CODE	WEIGHT	Pcs / Box	PRICE PCS.
<b>MA701160G035</b> For EXACTA Ø14, Ø16 and 488 Ø16	513 gr	1	€ 132,973
<b>MA701200G014</b> For EXACTA Ø20	723 gr	1	€ 206,824

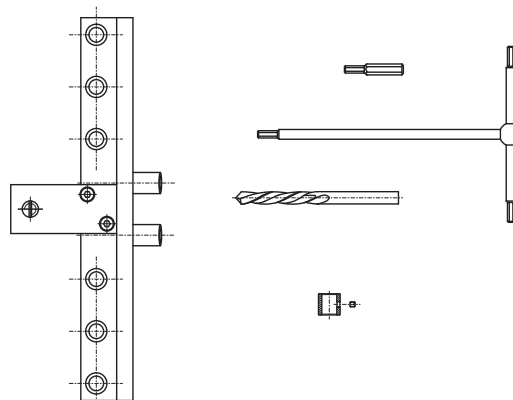
Short link



www.otlav.it - MA 701

## MA 701

Aluminium jig for overlay doors with accessories



CODE

**MA701180G008**  
For URSUS Ø18

WEIGHT

943 gr

Pcs / Box

1

PRICE PCS.

€ 288,091

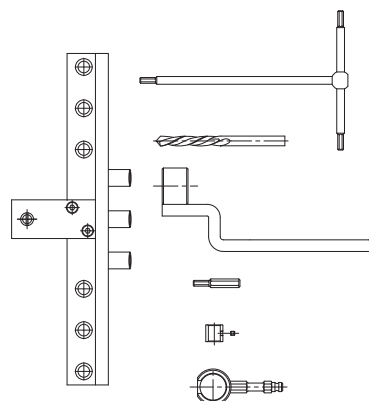
Short link



www.otlav.it - MA 701

## MA 701

Aluminium jig for overlay doors with accessories



CODE

**MA701180G016**  
For URSUS PLUS Ø18

WEIGHT

1.000 gr

Pcs / Box

1

PRICE PCS.

€ 272,95

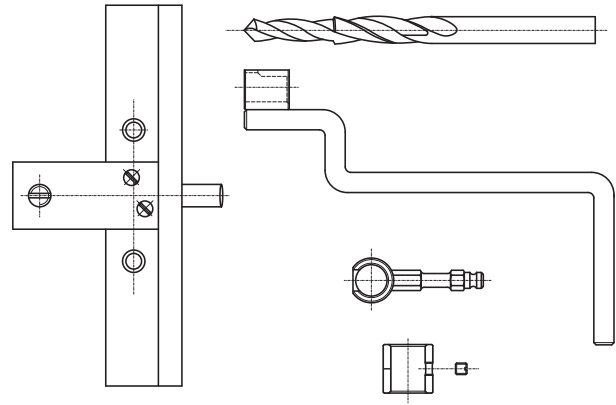
Short link



www.otlav.it - MA 701

## MA 701

Wooden toolkit for overlay doors with accessories



CODE	WEIGHT	Pcs / Box	PRICE PCS.
<b>MA701150G002</b> For 320 Ø15 hinges	770 gr	1	On request

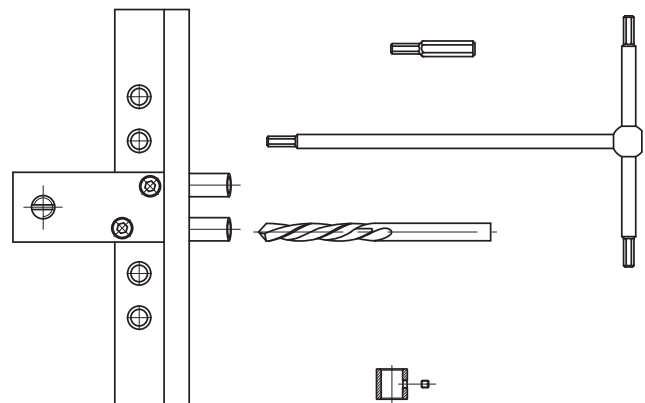
Short link



www.otlav.it - MA 701

## MA 701

Aluminium toolkit for overlay doors with accessories



CODE	WEIGHT	Pcs / Box	PRICE PCS.
<b>MA701130G024</b> For EXACTA Ø13	513 gr	1	€ 403,142

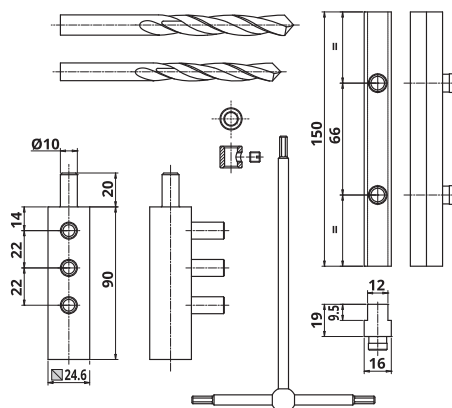
Short link



www.otlav.it - MA 701

## MA 701

Aluminium toolkit for overlay doors with accessories



CODE

**MA701483G002**

For MIXACTA Ø16 - female 483 Ø16 - male URSUS

WEIGHT

427,1 gr

Pcs / Box

1

PRICE PCS.

On request

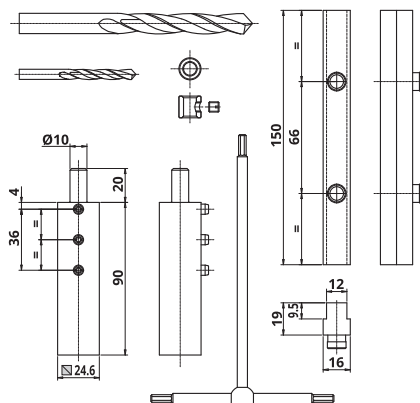
Short link



www.otlav.it - MA 701

## MA 703

Aluminium toolkit for overlay doors with accessories



CODE

**MA703483G002**

For BIXACTA, male with pegs Ø2,5

WEIGHT

427,1 gr

Pcs / Box

1

PRICE PCS.

€ 247,612

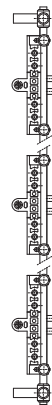
Short link



www.otlav.it - MA 703

## MA 801

Rod L. 240 cm with 3 PVC jigs code MC701160G035



CODE	WEIGHT	Pcs / Box	PRICE PCS.
<b>MA801160G028</b> For EXACTA $\varnothing$ 14, $\varnothing$ 16 and 488 $\varnothing$ 16	1.530 gr	1	€ 317,30

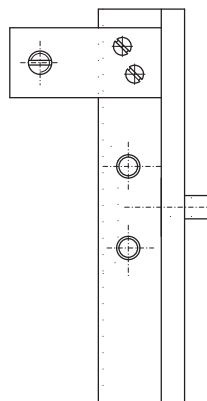
Short link



www.otlav.it - MA 801

## MC 701

Wooden jig for overlay doors



CODE	WEIGHT	Pcs / Box	PRICE PCS.
<b>MC701090G002</b> For $\varnothing$ 9 hinges	230 gr	1	€ 38,625

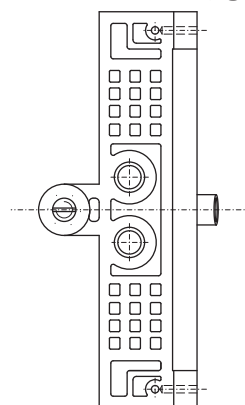
Short link



www.otlav.it - MC 701

## MC 701

PVC jig for overlay doors



CODE	WEIGHT	Pcs / Box	PRICE PCS.
<b>MC701130G060</b> For 030 Ø13, 055 Ø13, 057 Ø13, 070 Ø13, 075 Ø13, 080 Ø13, 085 Ø13, 190 Ø13, 210 Ø13, 300 Ø13 and 355 Ø13 hinges	180 gr	1	€ 32,548
<b>MC701140G060</b> For 030 Ø14, 055 Ø14, 057 Ø14, 190 Ø14, 300 Ø14 and 355 Ø14 hinges	220 gr	1	€ 33,784
<b>MC701160G032</b> For 320 Ø16 hinges	230 gr	1	€ 85,881
<b>MC701160G060</b> For 030 Ø16, 055 Ø16 and 190 Ø16 hinges	230 gr	1	€ 36,977
<b>MC701200G032</b> For 320 Ø20 hinges	200 gr	1	€ 53,50

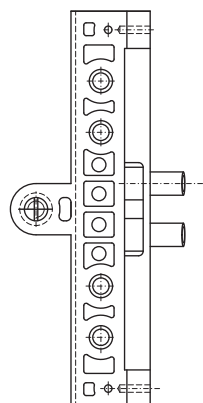
Short link



www.otlav.it - MC 701

## MC 701

PVC jig for overlay doors



CODE	WEIGHT	Pcs / Box	PRICE PCS.
<b>MC701160G035</b> For EXACTA Ø14, Ø16 and 488 Ø16	220 gr	1	€ 36,977
<b>MC701200G009</b> For EXACTA Ø20	200 gr	1	€ 38,419

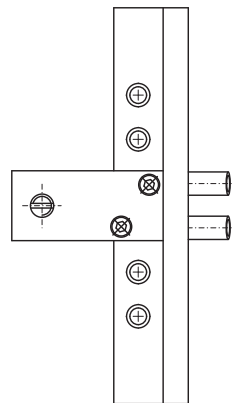
Short link



www.otlav.it - MC 701

## MC 701

Aluminium jig for overlay doors



CODE	WEIGHT	Pcs / Box	PRICE PCS.
<b>MC701130G022</b> For EXACTA Ø13	230 gr	1	€ 179,117

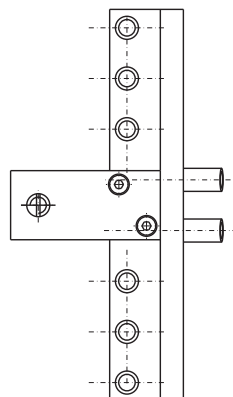
Short link



www.otlav.it - MC 701

## MC 701

Aluminium jig for overlay doors



CODE	WEIGHT	Pcs / Box	PRICE PCS.
<b>MC701160G067</b> For URSUS Ø16	230 gr	1	€ 157,59

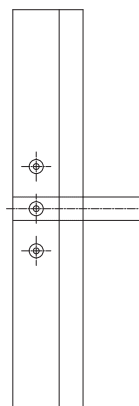
Short link



www.otlav.it - MC 701

## MC 703

Wooden jig for overlay doors



CODE	WEIGHT	Pcs / Box	PRICE PCS.
<b>MC703P39G002</b> For P36 Ø13 and P38 Ø13 - female pin M7	133 gr	1	€ 62,892

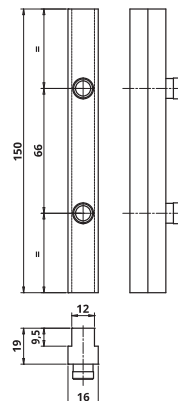
Short link



www.otlav.it - MC 703

## MC 703

Aluminium jig for overlay doors with European groove



CODE	WEIGHT	Pcs / Box	PRICE PCS.
<b>MC703483G010</b> For BIXACTA female	165 gr	1	€ 84,10

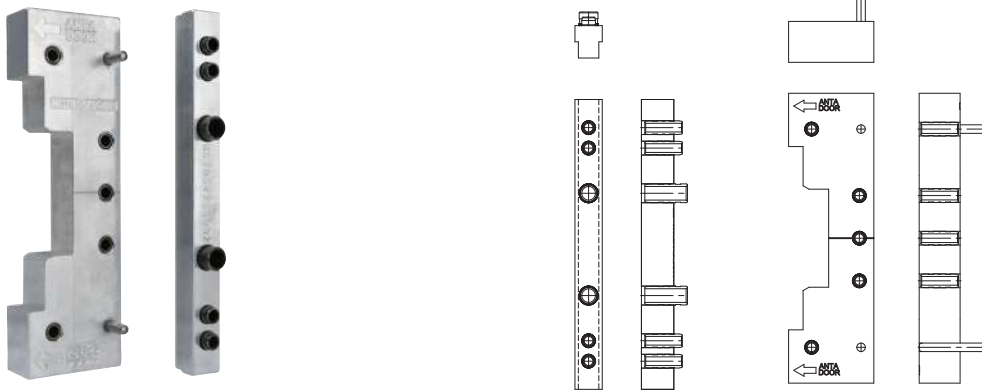
Short link



www.otlav.it - MC 703

## MC 703

Aluminium jigs for overlay doors with European groove



CODE	WEIGHT	Pcs / Box	PRICE PCS.
<b>MC703473G003</b> For TRIXACTA Ø18 - door part	140 gr	1	€ 152,80
<b>MC703473G006</b> For TRIXACTA Ø18 - frame part	450 gr	1	€ 273,98

Short link



www.otlav.it - MC 703

## MC 710

Step down drill-bit



CODE	WEIGHT	Pcs / Box	PRICE PCS.
<b>MC710090G002</b> Step down drill-bit Ø5,2 - Ø3,8 - for Ø9	15 gr	1	€ 19,261
<b>MC710130G002</b> Step down drill-bit Ø6,7 - Ø5,3 - for Ø13, M8, 320 Ø15	20 gr	1	€ 22,248
<b>MC710140G002</b> Step down drill-bit Ø7,2 - Ø5,8 - for Ø14, 320 Ø16	30 gr	1	€ 29,458
<b>MC710160G002</b> Step down drill-bit Ø7,7 - Ø6,3 - for Ø16	30 gr	1	€ 26,677
<b>MC710218G002</b> Step down drill-bit Ø8,7 - Ø7,3 - for Ø18, Ø20	52 gr	1	€ 46,29

Short link



www.otlav.it - MC 710

## MC 710

Drill-bit Ø5,7



CODE	WEIGHT	Pcs / Box	PRICE PCS.
<b>MC7100M7G002</b> Drill-bit Ø5,7 - for PVC M7	19 gr	1	€ 28,119
<b>MC710110G002</b> Drill-bit Ø5,4 - for Ø11	20 gr	1	€ 19,261
<b>MC710140G004</b> Drill-bit Ø7 - for EXACTA Ø13, Ø14, Ø16 and 488 Ø16	30 gr	1	€ 15,78
<b>MC710140G006</b> Drill-bit Ø6,8 - for EXACTA Ø13, Ø14, Ø16 and 488 Ø16 soft wood	32 gr	1	€ 15,78
<b>MC710200G002</b> Drill-bit Ø8,5 - for EXACTA Ø20	40 gr	1	€ 19,879

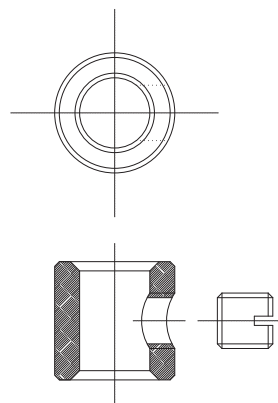
Short link



www.otlav.it - MC 710

## MC 711

Drill-bit stop



CODE	WEIGHT	Pcs / Box	PRICE PCS.
<b>MC711620H002</b> For hinges Ø16, Ø18, Ø20 and EXACTA Ø16, Ø20	20 gr	1	€ 5,984
<b>MC711914H002</b> For hinges Ø9, Ø11, Ø13, Ø14, Ø15 and EXACTA Ø14, Ø16 and 488 Ø16	9 gr	1	€ 5,84

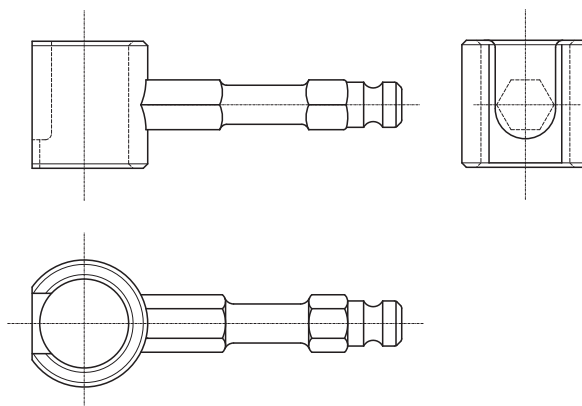
Short link



www.otlav.it - MC 711

## MC 712

Drill screwer



CODE	WEIGHT	Pcs / Box	PRICE PCS.
<b>MC712130H002</b> For Ø13 hinges	30 gr	1	€ 7,756
<b>MC712140H002</b> For Ø14 hinges	30 gr	1	€ 7,88
<b>MC712160H002</b> For Ø16 hinges	40 gr	1	€ 9,239

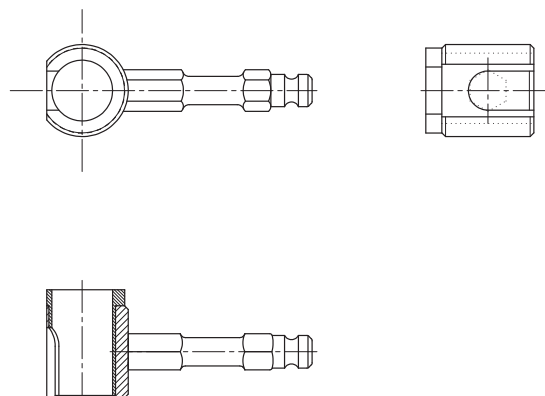
Short link



www.otlav.it - MC 712

## MC 712

Drill screwer with nylon bush for Ø13 hinges



CODE	WEIGHT	Pcs / Box	PRICE PCS.
<b>MC712130H006</b> For Ø13 hinges	30 gr	1	On request

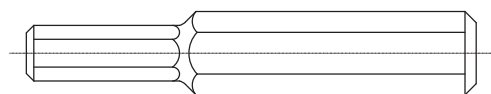
Short link



www.otlav.it - MC 712

## MC 712

Drill screwer



CODE	WEIGHT	Pcs / Box	PRICE PCS.
<b>MC712160H004</b> For EXACTA Ø13, Ø14, Ø16, URSUS Ø14 Ø16 and 488 Ø16	5 gr	1	€ 7,88

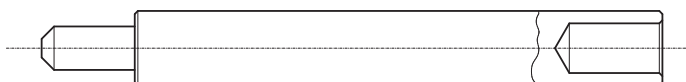
Short link



www.otlav.it - MC 712

## MC 713

Registering pin



CODE	WEIGHT	Pcs / Box	PRICE PCS.
<b>MC713130H002</b> For Ø13 hinges	55,67 gr	1	€ 7,426
<b>MC713140H002</b> For Ø14 hinges	82 gr	1	€ 7,426

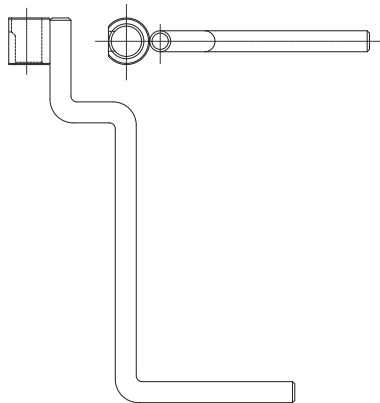
Short link



www.otlav.it - MC 713

## MC 714

Manual screwer



CODE	WEIGHT	Pcs / Box	PRICE PCS.
<b>MC714130H002</b> For Ø13 hinges	145 gr	1	€ 23,69

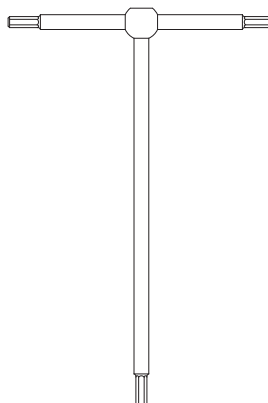
Short link



www.otlav.it - MC 714

## MC 714

T-wrench



CODE	WEIGHT	Pcs / Box	PRICE PCS.
<b>MC714160H002</b> T-wrench imp. 4 , for EXACTA Ø14, Ø16 and 488 Ø16 and 057 Ø13, Ø14, Ø16	60 gr	1	€ 35,535
<b>MC714200H002</b> T-wrench imp. 5 , for EXACTA Ø20	100 gr	1	€ 36,977

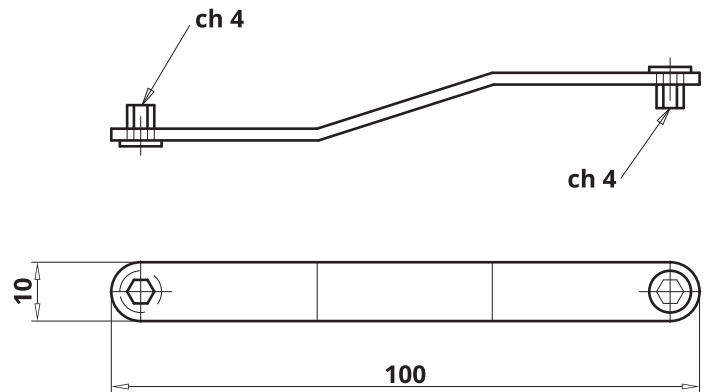
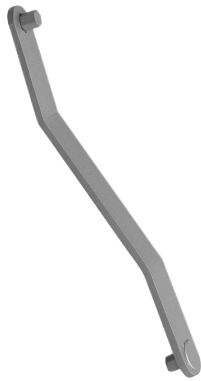
Short link



www.otlav.it - MC 714

## TRIMK

S-wrench imp. 4



CODE	WEIGHT	Pcs / Box	PRICE PCS.
<b>MC714CH4H502</b> For EXACTA Ø14, Ø16 and 488 Ø16 and 057 Ø13, Ø14, Ø16	17 gr	1	€ 7,426

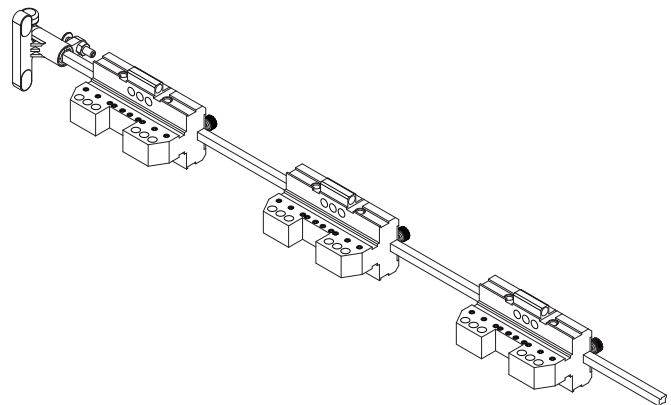
Short link



www.otlav.it - TRIMK

## MU 803

Rod L. 240 cm with 3 jigs



CODE	WEIGHT	Pcs / Box	PRICE PCS.
<b>MU803483G002</b> For BIXACTA 483 Ø16 - male part with pegs Ø2,5	3.538 gr	1	€ 1.411,10

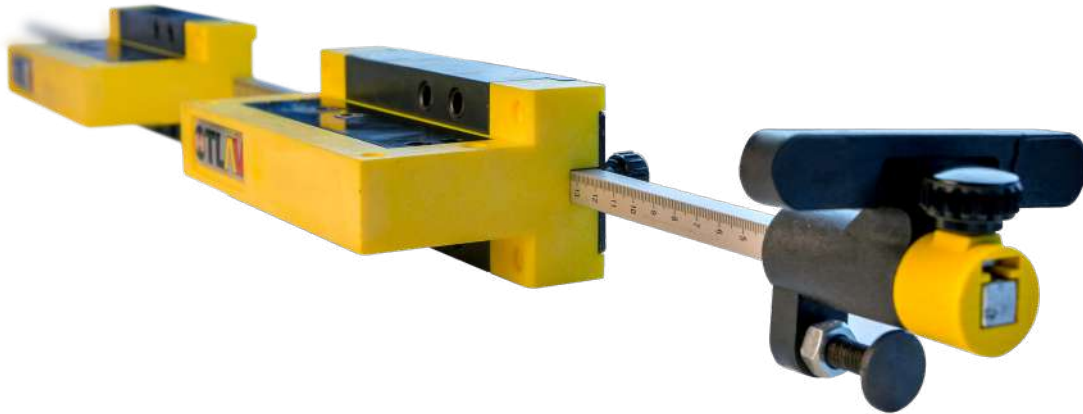
Short link



www.otlav.it - MU 803

# MODULAR ROD

**ACCURACY, SPEED AND FLEXIBILITY**



Unlike standard hinge-drilling systems, the MODULAR ROD allows the use of two or three special tools that independently drill the door and the frame for subsequent hinge installation. **Because the door no longer needs to be mounted on the frame during drilling, production can be split into two dedicated lines: one for shutters and one for frames.**

The jig's special symmetrical design, together with the

reversible stop, **ensures that the same rod can be used for both left- or right-handed doors and frames.**

Additionally, the use of shims makes it possible to adjust the jigs whenever the drilling distances must be increased or decreased for either the door or the frame. Each MODULAR rod jig is custom-made based on the type of frame, the hinge model, and the required position and angle of the pins for both the door and the frame.



**1** - The modular construction permits to use the same jigs, by replacing only the blocks, to fix different kinds of Otlav hinges.



**2** - The millimetric rod allows the correct positioning of the jigs on the frames and on the doors.



**3** - Duly adjusted, the reversible stop permits to position the rod always with a micrometric precision, in different times both on the frames and on the doors.



**4** - The first, easy action to drill the frame, is the correct reversible stop Positioning on the frame reference.



**5** - Successively proceed by drilling the frame.

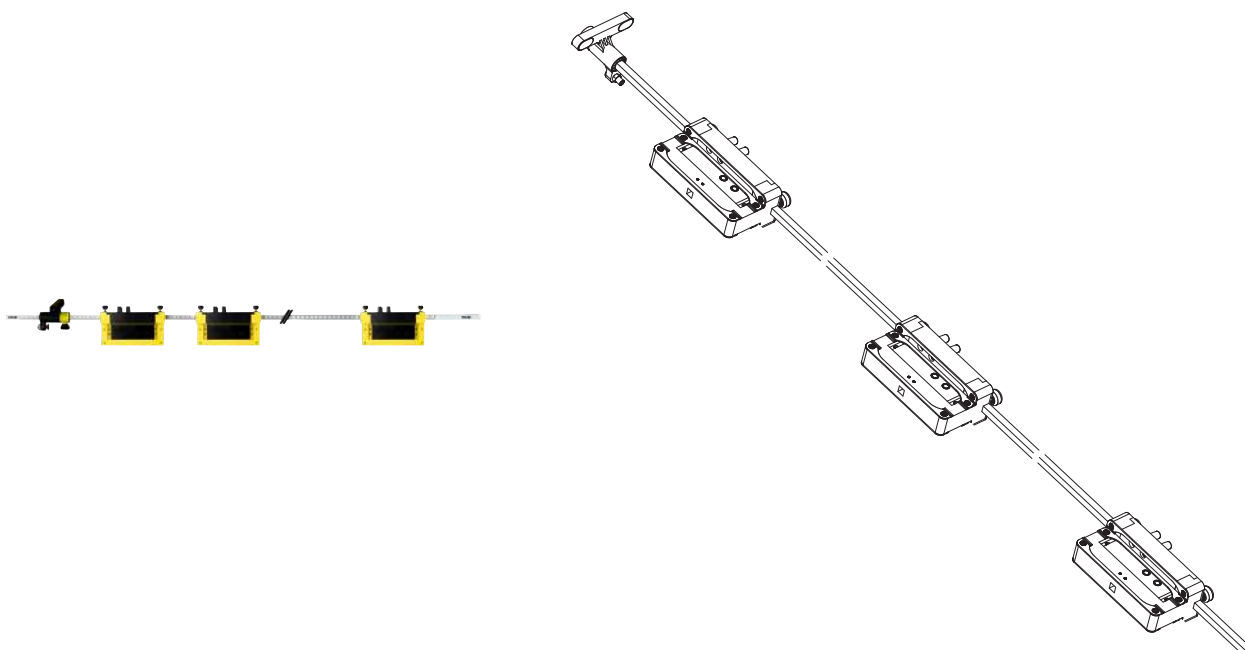


**6** - As for the door the process is the same, the correct reversible stop Positioning on the door reference, is the first operation to be done while drilling.



**7** - It is then easy to proceed by fitting both the male and the female parts.

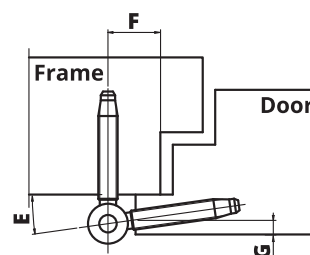
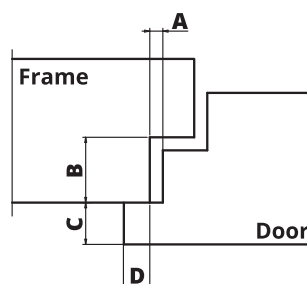
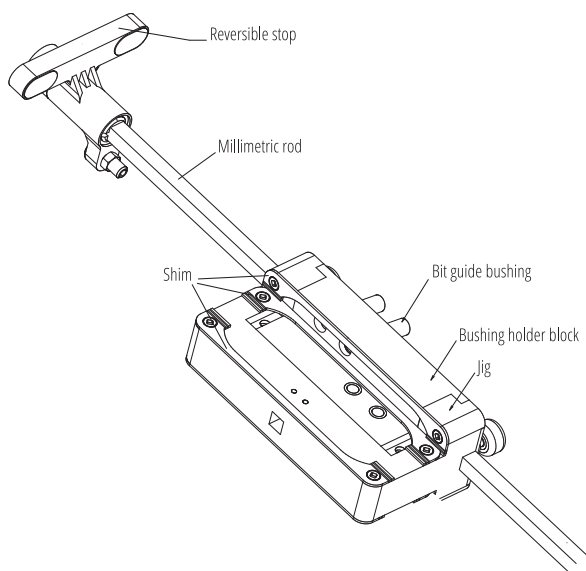




CODE	Pcs / Box	PRICE PCS.
<b>MU8</b> Customized jig for installation of OTLAV hinges equipped with: millimeter rod, reversible stop, 3 drilling jigs and if needed shims.	1 1 x 1 (Tube)	On request

For inquiries you are requested to forward the dimensioned technical drawing of shutter and frame as per sketch here below.

- A:** Light between frame and door.
- B:** First interior frame rabbet.
- C:** Overlapping shim between door and frame.
- D:** Overlapping between door and frame.
- E:** Drilling angle for female pin.
- F:** Axis position male hinge referred to rabbet.
- G:** Axis position female hinge referred to door surface.



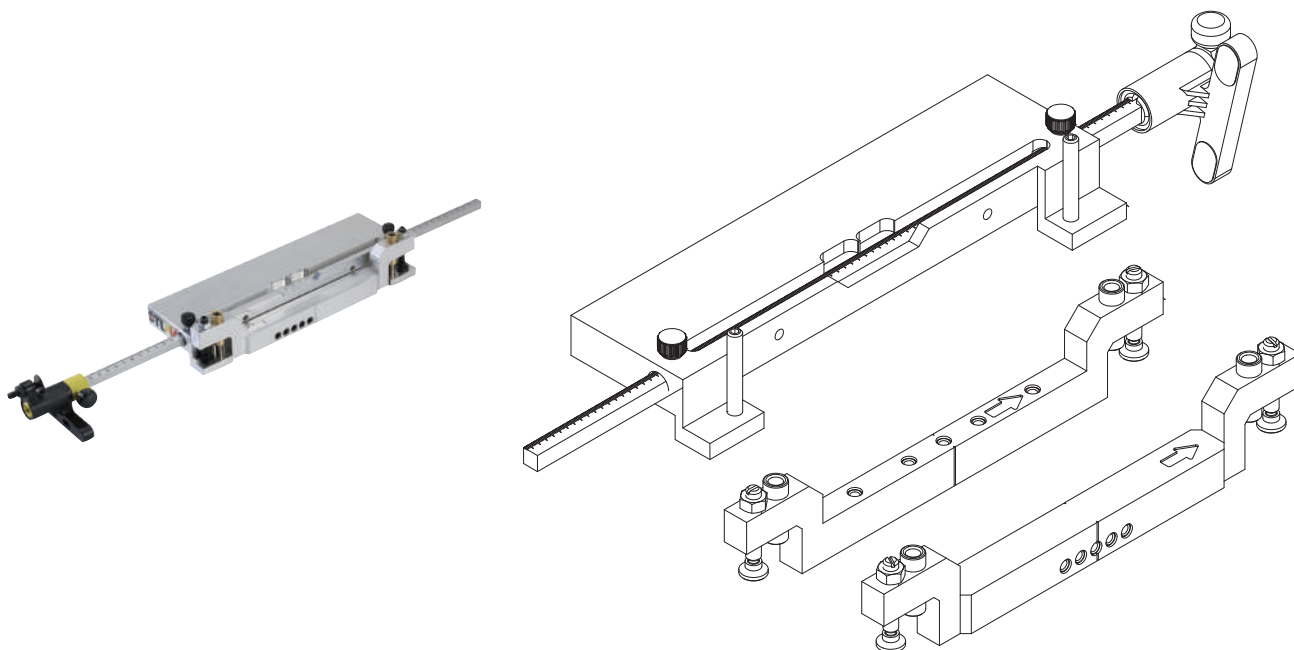
Short link



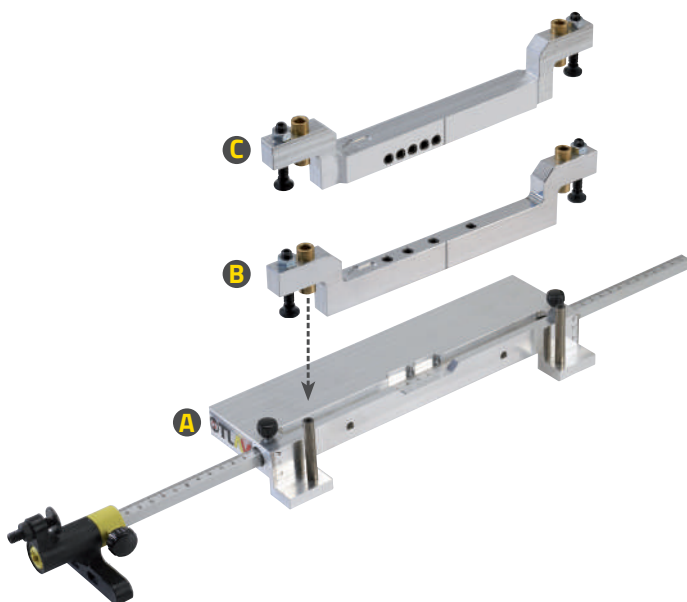
www.otlav.it - MU 8

## MRA

Aluminium jig for overlay doors - for ROLLACTA



CODE	Pcs / Box	PRICE PCS.
 MRA	1 1 x 1 (Tube)	On request



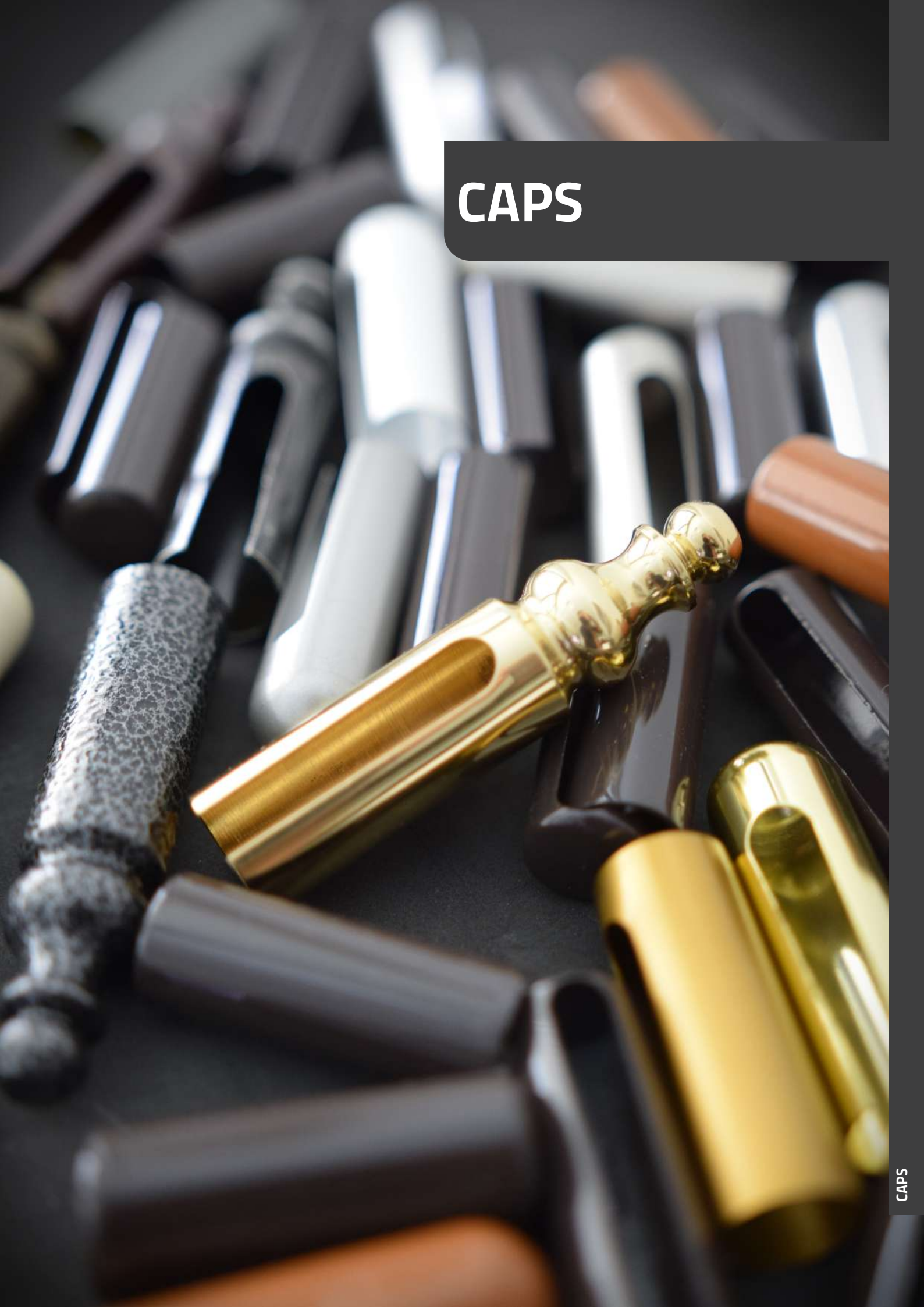
The jig for Rollacta, thanks to its own characteristics, allows an easy, precise and quick installation of the hinges. Composed of a basic part (A) suitable to be fixed on all types of UPVC profiles. The kits (B e C) are customized according to the used kind of profiles. Suitable to be used equally well on both right and left doors. Graduated rod on request.

Short link



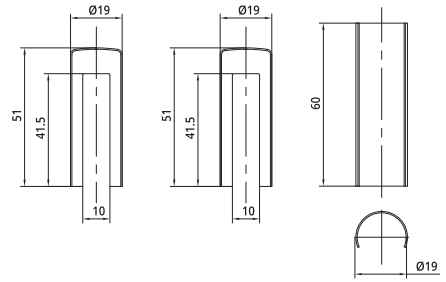
www.otlav.it - MRA




# CAPS



## 473 Ø19

Aluminium caps kit for TRIXACTA Ø18



CODE	FINISHING	WEIGHT	Pcs / Box	PRICE PCS.
 <b>GC4731909W03</b>	Black Brown (RAL 8022)	16 gr	72 kit 8 x 9 (Box x kit each)	On request
 <b>GC473190PU03</b>	Clay Brown (RAL 8003)	16 gr	72 kit 8 x 9 (Box x kit each)	On request
 <b>GC473190VM03</b>	Matt Gold	16 gr	72 kit 8 x 9 (Box x kit each)	On request

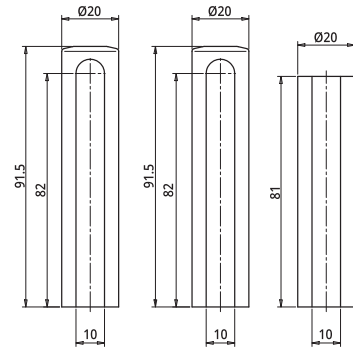
Short link





www.otlav.it - 473 Ø19

## 476 Ø20

Nylon caps kit for URSUS PLUS and URSUS 250



CODE	FINISHING	WEIGHT	Pcs / Box	PRICE PCS.
 <b>GC4762004F02</b>	Grey (9F)	13 gr	48 kit 4 x 12 (Box x kit each)	On request
 <b>GC4762004N02</b>	Matt Black	13 gr	48 kit 4 x 12 (Box x kit each)	On request
 <b>GC476200YS02</b>	Matt Chrome Plated Nylon	13 gr	48 kit 4 x 12 (Box x kit each)	On request

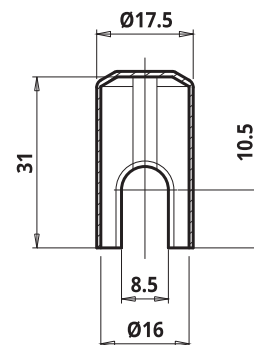
Short link



www.otlav.it - 476 Ø20

**815 Ø17,5**

Nylon cap for 030, 055 and 057 Ø16



CODE	FINISHING	WEIGHT	Pcs / Box	PRICE PCS.
 <b>GC815175YA01</b>	Gold Nylon	2,12 gr	720 4 x 180(Box x pcs. each)	On request

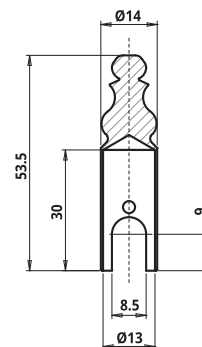
Short link




www.otlav.it - 815 Ø17,5

**826 Ø14**

Brass cap for 030, 050, 055 and 057 Ø13



CODE	FINISHING	WEIGHT	Pcs / Box	PRICE PCS.
 <b>GC826140L110</b>	Polished Varnished	16,53 gr	240 4 x 60(Box x pcs. each)	€ 5,826

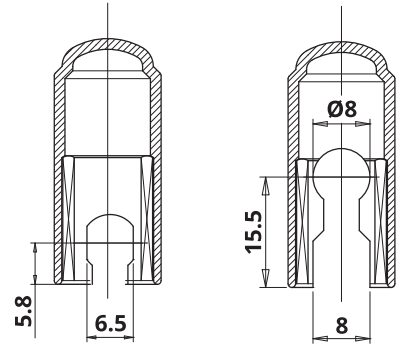
Short link







www.otlav.it - 826 Ø14

## 818 Ø15

Nylon cap for P09 plastified



CODE	FINISHING	WEIGHT	Pcs / Box	PRICE PCS.	TOT.
 <b>GC818150Y301</b> Male cap	White Nylon (RAL 9010)	1,8 gr	1000 1 x 1000 (Box x pcs. each)	€ 0,071	€ 0,14
 <b>GC818150Y302</b> Female cap	White Nylon (RAL 9010)	1,89 gr	1000 1 x 1000 (Box x pcs. each)	€ 0,069	
 <b>GC818150Y605</b> Male cap	White Nylon (RAL 9016)	1,8 gr	1000 1 x 1000 (Box x pcs. each)	€ 0,065	€ 0,132
 <b>GC818150Y606</b> Female cap	White Nylon (RAL 9016)	1,89 gr	1000 1 x 1000 (Box x pcs. each)	€ 0,068	

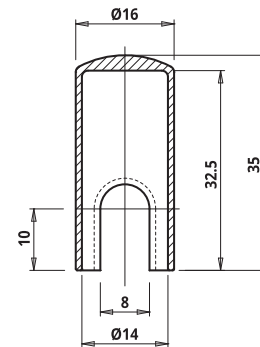
Short link




www.otlav.it - 818 Ø15

## 836 Ø16

Nylon cap for O55 and O57 Ø14



CODE	FINISHING	WEIGHT	Pcs / Box	PRICE PCS.
 <b>GC836160Y304</b>	White Nylon (RAL 9010)	1,56 gr	800 4 x 200 (Box x pcs. each)	€ 0,188

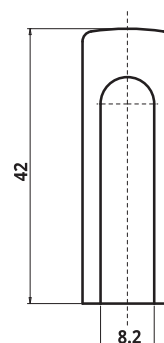
Short link



www.otlav.it - 836 Ø16

**838 Ø14**

Aluminium cap for EXACTA Ø13



CODE	FINISHING	WEIGHT	Pcs / Box	PRICE PCS.
<b>GC8381409N02</b>	Matt Black	1,8 gr	800 4 x 200 (Box x pcs. each)	€ 1,255
<b>GC838140J002</b>	Polished Gold Aluminium	1,8 gr	800 4 x 200 (Box x pcs. each)	€ 0,854
<b>GC838140JT02</b>	Satinized Nickel Aluminium	1,8 gr	800 4 x 200 (Box x pcs. each)	€ 0,94
<b>GC838140P302</b>	White (RAL 9010)	1,8 gr	800 4 x 200 (Box x pcs. each)	€ 1,214
<b>GC838140PI02</b>	White (RAL 9016)	1,8 gr	800 4 x 200 (Box x pcs. each)	€ 1,214

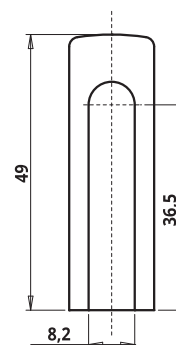
Short link



www.otlav.it - 838 Ø14

**838 Ø15**

Aluminium cap for POMELLAS, 491 and EXACTA Ø14



CODE	FINISHING	WEIGHT	Pcs / Box	PRICE PCS.
<b>GC8381509N02</b>	Matt Black	2,68 gr	680 4 x 170 (Box x pcs. each)	€ 1,542
<b>GC838150J702</b>	Satinized Silver Aluminium	2,68 gr	680 4 x 170 (Box x pcs. each)	€ 1,054
<b>GC838150J004</b>	Polished Gold Aluminium	2,68 gr	680 4 x 170 (Box x pcs. each)	€ 1,009
<b>GC838150JT02</b>	Satinized Nickel Aluminium	2,68 gr	680 4 x 170 (Box x pcs. each)	€ 1,183
<b>GC838150JZ02</b>	Bronze Aluminium	2,68 gr	680 4 x 170 (Box x pcs. each)	€ 1,222
<b>GC838150PI02</b>	White (RAL 9016)	2,68 gr	680 4 x 170 (Box x pcs. each)	€ 1,252

Short link

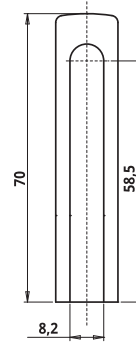


www.otlav.it - 838 Ø15

CAPS | 193

## 838 Ø15

Aluminium cap for URSUS Ø14



CODE	FINISHING	WEIGHT	Pcs / Box	PRICE PCS.
 <b>GC838150JT06</b>	Satinized Nickel Aluminium	3,9 gr	400 4 x 100 (Box x pcs. each)	€ 2,331

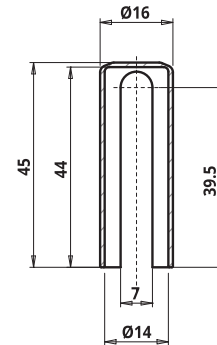
Short link



www.otlav.it - 838 Ø15

## 838 Ø16

Nylon cap for POMELLAS, 491, EXACTA Ø14



CODE	FINISHING	WEIGHT	Pcs / Box	PRICE PCS.
 <b>GC838160Y201</b>	Black Nylon	2 gr	720 4 x 180 (Box x pcs. each)	€ 0,274
 <b>GC838160Y301</b>	White Nylon (RAL 9010)	2 gr	720 4 x 180 (Box x pcs. each)	€ 0,274
 <b>GC838160Y602</b>	White Nylon (RAL 9016)	2 gr	720 4 x 180 (Box x pcs. each)	€ 0,267
 <b>GC838160YD01</b>	Brown Nylon	2 gr	720 4 x 180 (Box x pcs. each)	€ 0,274
 <b>GC838160YS03</b>	Matt Chrome Plated Nylon	2 gr	520 4 x 130 (Box x pcs. each)	€ 1,481

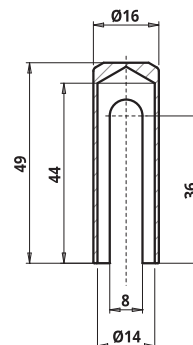
Short link





www.otlav.it - 838 Ø16

**838 Ø16**

Brass cap for POMELLAS, 491, EXACTA Ø14



CODE	FINISHING	WEIGHT	Pcs / Box	PRICE PCS.
 <b>GC838160BN03</b>	Bronze Plated	20,05 gr	520 4 x 130(Box x pcs. each)	€ 4,049
 <b>GC838160L103</b>	Polished Varnished	20,05 gr	160 4 x 40(Box x pcs. each)	€ 3,95

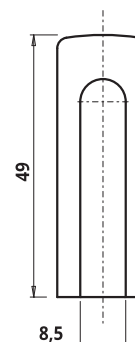
Short link



www.otlav.it - 838 Ø16

**838 Ø17**

Aluminium cap for MIXACTA, BIXACTA and EXACTA Ø16



CODE	FINISHING	WEIGHT	Pcs / Box	PRICE PCS.
 <b>GC8381709F52</b>	Grey (9F)	3,32 gr	160 4 x 40(Box x pcs. each)	€ 1,687
 <b>GC8381709N02</b>	Matt Black	3,32 gr	160 4 x 40(Box x pcs. each)	€ 1,825
 <b>GC8381709P04</b>	Matt White (RAL 9016)	3,32 gr	160 4 x 40(Box x pcs. each)	On request
 <b>GC838170J702</b>	Satinized Silver Aluminium	3,32 gr	400 4 x 100(Box x pcs. each)	€ 1,264
 <b>GC838170JC02</b>	Satinized Nickel Plated	3,32 gr	240 8 x 30(Box x pcs. each)	€ 1,878
 <b>GC838170J002</b>	Polished Gold Aluminium	3,32 gr	400 4 x 100(Box x pcs. each)	€ 1,203
 <b>GC838170JT02</b>	Satinized Nickel Aluminium	3,32 gr	400 4 x 100(Box x pcs. each)	€ 1,355
 <b>GC838170JZ02</b>	Bronze Aluminium	3,32 gr	400 4 x 100(Box x pcs. each)	€ 1,656
 <b>GC838170PI02</b>	White (RAL 9016)	3,32 gr	160 4 x 40(Box x pcs. each)	€ 1,835
 <b>GC838170PU02</b>	Clay Brown (RAL 8003)	3,32 gr	160 4 x 40(Box x pcs. each)	€ 1,958

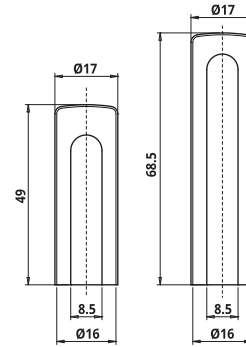
Short link



www.otlav.it - 838 Ø17

## 838 Ø17

Aluminium cap for URSUS Ø16 - 5 pins



CODE	FINISHING	WEIGHT	Pcs / Box	PRICE PCS.	TOT.
<b>GC8381709N02</b> Female cap	Matt Black	3,32 gr	160 4 x 40(Box x pcs. each)	€ 1,825	€ 5,638
<b>GC8381709N04</b> Male cap	Matt Black	4 gr	160 4 x 40(Box x pcs. each)	€ 3,813	
<b>GC8381709P04</b> Female cap	Matt White (RAL 9016)	3,32 gr	160 4 x 40(Box x pcs. each)	On request	
<b>GC8381709P02</b> Male cap	Matt White (RAL 9016)	4 gr	160 4 x 40(Box x pcs. each)	On request	
<b>GC838170J702</b> Female cap	Satinized Silver Aluminium	3,32 gr	400 4 x 100(Box x pcs. each)	€ 1,264	€ 4,277
<b>GC838170J706</b> Male cap	Satinized Silver Aluminium	4 gr	240 8 x 30(Box x pcs. each)	€ 3,014	
<b>GC838170JC02</b> Female cap	Satinized Nickel Plated	3,32 gr	240 8 x 30(Box x pcs. each)	€ 1,878	€ 5,127
<b>GC838170JC06</b> Male cap	Satinized Nickel Plated	4 gr	240 8 x 30(Box x pcs. each)	€ 3,249	

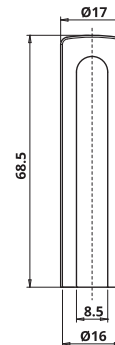
Short link



www.otlav.it - 838 Ø17

## 838 Ø17

Aluminium cap for URSUS Ø16 - 6 pins



CODE	FINISHING	WEIGHT	Pcs / Box	PRICE PCS.
<b>GC8381709N04</b>	Matt Black	4 gr	160 4 x 40(Box x pcs. each)	€ 3,813
<b>GC8381709P02</b>	Matt White (RAL 9016)	4 gr	160 4 x 40(Box x pcs. each)	On request
<b>GC838170J706</b>	Satinized Silver Aluminium	4 gr	240 8 x 30(Box x pcs. each)	€ 3,014
<b>GC838170JC06</b>	Satinized Nickel Plated	4 gr	240 8 x 30(Box x pcs. each)	€ 3,249

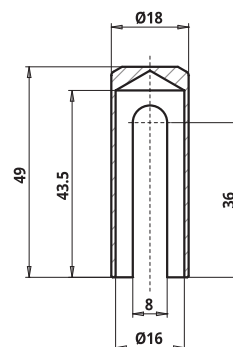
Short link





www.otlav.it - 838 Ø17

**838 Ø18**

Brass cap for MIXACTA, BIXACTA and EXACTA Ø16



CODE	FINISHING	WEIGHT	Pcs / Box	PRICE PCS.
 <b>GC838180BN04</b>	Bronze Plated	23 gr	400 4 x 100(Box x pcs. each)	€ 4,777
 <b>GC838180L104</b>	Polished Varnished	23 gr	160 4 x 40(Box x pcs. each)	€ 5,248

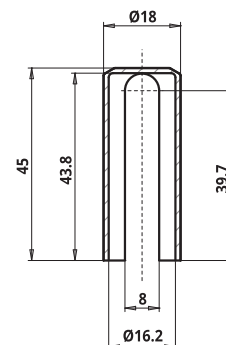
Short link



www.otlav.it - 838 Ø18

**838 Ø18**

Nylon cap for MIXACTA, BIXACTA and EXACTA Ø16



CODE	FINISHING	WEIGHT	Pcs / Box	PRICE PCS.
 <b>GC8381808P03</b>	Matt Nylon White (RAL 9016)	2,41 gr	480 4 x 120(Box x pcs. each)	€ 0,327
 <b>GC838180Y208</b>	Black Nylon	2,41 gr	480 4 x 120(Box x pcs. each)	€ 0,227
 <b>GC838180Y305</b>	White Nylon (RAL 9010)	2,41 gr	480 4 x 120(Box x pcs. each)	€ 0,227
 <b>GC838180Y503</b>	Blue White Nylon	2,41 gr	480 4 x 120(Box x pcs. each)	€ 0,227
 <b>GC838180Y603</b>	White Nylon (RAL 9016)	2,41 gr	480 4 x 120(Box x pcs. each)	€ 0,227
 <b>GC838180Y807</b>	Dark Brown Nylon	2,41 gr	480 4 x 120(Box x pcs. each)	€ 0,227
 <b>GC838180YC01</b>	Matt Nickel Plated Nylon	2,41 gr	160 4 x 40(Box x pcs. each)	€ 1,687
 <b>GC838180YD05</b>	Brown Nylon	2,41 gr	480 4 x 120(Box x pcs. each)	€ 0,212
 <b>GC838180YS04</b>	Matt Chrome Plated Nylon	2,41 gr	480 4 x 120(Box x pcs. each)	€ 1,339

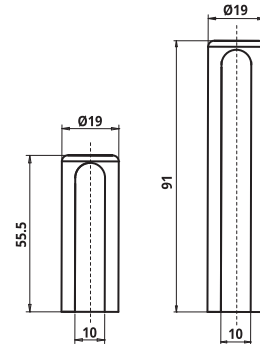
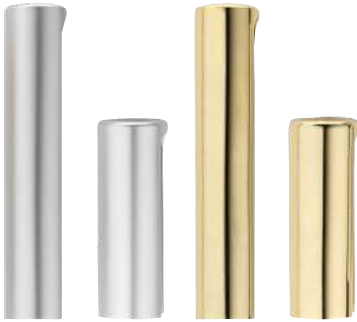
Short link







www.otlav.it - 838 Ø18

## 838 Ø19

Aluminium cap for URSUS Ø18



CODE	FINISHING	WEIGHT	Pcs / Box	PRICE PCS.	TOT.
 <b>GC838190J703</b> Male cap	Satinized Silver Aluminium	4,55 gr	240 8 x 30 (Box x pcs. each)	€ 3,301	€ 5,691
 <b>GC838190J704</b> Female cap	Satinized Silver Aluminium	3,18 gr	240 8 x 30 (Box x pcs. each)	€ 2,39	
 <b>GC838190J003</b> Male cap	Polished Gold Aluminium	4,55 gr	240 8 x 30 (Box x pcs. each)	€ 3,526	€ 6,201
 <b>GC838190J004</b> Female cap	Polished Gold Aluminium	3,18 gr	240 8 x 30 (Box x pcs. each)	€ 2,675	

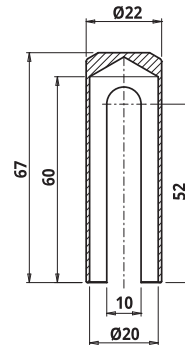
Short link






www.otlav.it - 838 Ø19

## 838 Ø22

Brass cap for EXACTA Ø20

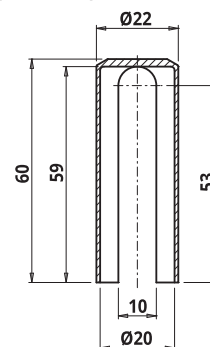


CODE	FINISHING	WEIGHT	Pcs / Box	PRICE PCS.
 <b>GC838220BN04</b>	Bronze Plated	39,64 gr	4 x 50 (Box x pcs. each)	On request
 <b>GC838220H303</b>	Black Engraved Zinc Plated	39,64 gr	4 x 50 (Box x pcs. each)	On request
 <b>GC838220L104</b>	Polished Varnished	39,64 gr	4 x 20 (Box x pcs. each)	On request

Short link



www.otlav.it - 838 Ø22



CODE	FINISHING	WEIGHT	Pcs / Box	PRICE PCS.
 <b>GC838220V802</b>	Polished Gold	3,64 gr	200 4 x 50 (Box x pcs. each)	€ 1,244
 <b>GC838220VZ02</b>	Bronze Plated	3,64 gr	200 4 x 50 (Box x pcs. each)	€ 1,244
 <b>GC838220Y201</b>	Black Nylon	3,64 gr	200 4 x 50 (Box x pcs. each)	€ 0,421
 <b>GC838220Y301</b>	White Nylon (RAL 9010)	3,64 gr	200 4 x 50 (Box x pcs. each)	€ 0,421
 <b>GC838220YC01</b>	Matt Nickel Plated Nylon	3,64 gr	80 4 x 20 (Box x pcs. each)	€ 2,708
 <b>GC838220YD01</b>	Brown Nylon	3,64 gr	200 4 x 50 (Box x pcs. each)	€ 0,421
 <b>GC838220YS03</b>	Matt Chrome Plated Nylon	3,64 gr	200 4 x 50 (Box x pcs. each)	€ 1,805

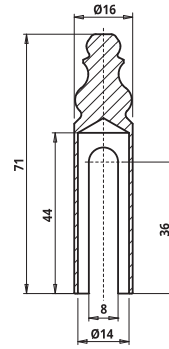
Short link






www.otlav.it - 838 Ø22

## 839 Ø16

Brass cap for POMELLAS, 491 and EXACTA Ø14



CODE	FINISHING	WEIGHT	Pcs / Box	PRICE PCS.
 <b>GC839160BN03</b>	Bronze Plated	32,55 gr	360 4 x 90 (Box x pcs. each)	€ 5,74
 <b>GC839160L103</b>	Polished Varnished	32,55 gr	160 4 x 40 (Box x pcs. each)	€ 5,976
 <b>GC839160PG02</b>	Old Silver	32,55 gr	360 4 x 90 (Box x pcs. each)	€ 5,74

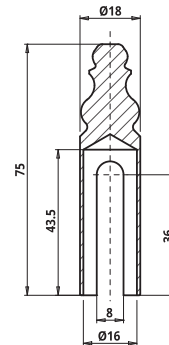
Short link






www.otlav.it - 839 Ø16

## 839 Ø18

Brass cap for MIXACTA, BIXACTA and EXACTA Ø16



CODE	FINISHING	WEIGHT	Pcs / Box	PRICE PCS.
 <b>GC839180BN03</b>	Bronze Plated	41,05 gr	300 4 x 75 (Box x pcs. each)	€ 6,734
 <b>GC839180G002</b>	Natural Brass	41,05 gr	300 4 x 75 (Box x pcs. each)	€ 6,376
 <b>GC839180L103</b>	Polished Varnished	41,05 gr	160 4 x 40 (Box x pcs. each)	€ 7,206

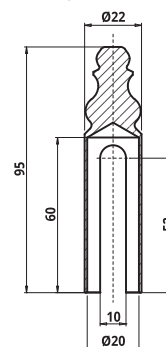
Short link





www.otlav.it - 839 Ø18

**839 Ø22**

Brass cap for EXACTA Ø20



CODE	FINISHING	WEIGHT	Pcs / Box	PRICE PCS.
 <b>GC839220BN04</b>	Bronze Plated	66 gr	160 4 x 40(Box x pcs. each)	€ 12,515
 <b>GC839220L103</b>	Polished Varnished	66 gr	80 4 x 20(Box x pcs. each)	€ 12,874

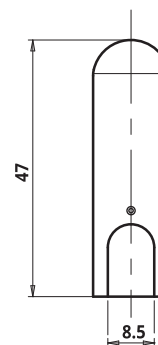
Short link





www.otlav.it - 839 Ø22

**844 Ø14**

Aluminium cap for 070, 075, 080 and 085 Ø13



CODE	FINISHING	WEIGHT	Pcs / Box	PRICE PCS.
 <b>GC844140JA02</b>	Blue Satinized Nickel Aluminium	2,65 gr	680 4 x 170(Box x pcs. each)	€ 0,817
 <b>GC844140PI02</b>	White (RAL 9016)	2,65 gr	248 4 x 62(Box x pcs. each)	€ 1,152

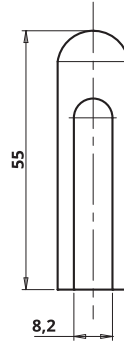
Short link







www.otlav.it - 844 Ø14

## 846 Ø15

Aluminium cap for POMELLAS, 491 and EXACTA Ø14



CODE	FINISHING	WEIGHT	Pcs / Box	PRICE PCS.
 <b>GC846150J704</b>	Satinized Silver Aluminium	2,95 gr	600 4 x 150 (Box x pcs. each)	€ 1,505
 <b>GC846150JA03</b>	Blue Satinized Nickel Aluminium	2,95 gr	600 4 x 150 (Box x pcs. each)	€ 1,505
 <b>GC846150JT03</b>	Satinized Nickel Aluminium	2,95 gr	600 4 x 150 (Box x pcs. each)	€ 1,054
 <b>GC846150PI02</b>	White (RAL 9016)	2,95 gr	180 4 x 45 (Box x pcs. each)	€ 1,61

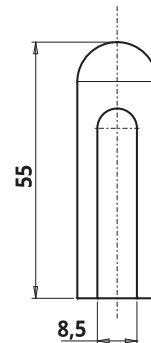
Short link







www.otlav.it - 846 Ø15

## 846 Ø17

Aluminium cap for MIXACTA, BIXACTA and EXACTA Ø16



CODE	FINISHING	WEIGHT	Pcs / Box	PRICE PCS.
 <b>GC846170J702</b>	Satinized Silver Aluminium	3,42 gr	400 4 x 100 (Box x pcs. each)	€ 1,805
 <b>GC846170JA02</b>	Blue Satinized Nickel Aluminium	3,42 gr	400 4 x 100 (Box x pcs. each)	€ 1,505
 <b>GC846170J002</b>	Polished Gold Aluminium	3,42 gr	400 4 x 100 (Box x pcs. each)	€ 1,805
 <b>GC846170JT02</b>	Satinized Nickel Aluminium	3,42 gr	400 4 x 100 (Box x pcs. each)	€ 1,505
 <b>GC846170P302</b>	White (RAL 9010)	3,42 gr	160 4 x 40 (Box x pcs. each)	€ 1,656
 <b>GC846170PI02</b>	White (RAL 9016)	3,42 gr	160 4 x 40 (Box x pcs. each)	€ 1,958

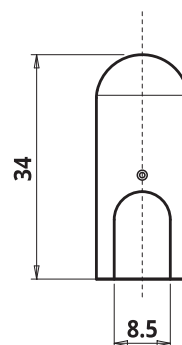
Short link



www.otlav.it - 846 Ø17

**847 Ø14**

Aluminium cap for 030, 050, 055, 057 and 070 Ø13



CODE	FINISHING	WEIGHT	Pcs / Box	PRICE PCS.
 <b>GC847140J704</b>	Satinized Silver Aluminium	1,84 gr	1200 4 x 300(Box x pcs. each)	€ 1,054

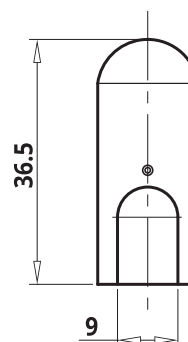
Short link



www.otlav.it - 847 Ø14

**847 Ø15**

Aluminium cap for 055 and 057 Ø14



CODE	FINISHING	WEIGHT	Pcs / Box	PRICE PCS.
 <b>GC847150J702</b>	Satinized Silver Aluminium	2,17 gr	1000 4 x 250(Box x pcs. each)	€ 1,355

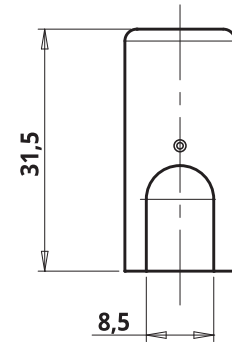
Short link








www.otlav.it - 847 Ø15

## 849 Ø14

Aluminium cap for 030, 050, 055, 057 and 070 Ø13



CODE	FINISHING	WEIGHT	Pcs / Box	PRICE PCS.
 <b>GC8491409N02</b>	Matt Black	1,6 gr	248 4 x 62 (Box x pcs. each)	€ 1,19
 <b>GC849140J712</b>	Satinized Silver Aluminium	1,6 gr	1200 4 x 300 (Box x pcs. each)	€ 0,694
 <b>GC849140J014</b>	Polished Gold Aluminium	1,6 gr	1200 4 x 300 (Box x pcs. each)	€ 0,978
 <b>GC849140JT02</b>	Satinized Nickel Aluminium	1,6 gr	1200 4 x 300 (Box x pcs. each)	€ 0,694
 <b>GC849140PI12</b>	White (RAL 9016)	1,6 gr	248 4 x 62 (Box x pcs. each)	€ 1,14

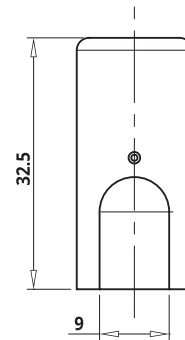
Short link





www.otlav.it - 849 Ø14

## 849 Ø15

Aluminium cap for 055 and 057 Ø14



CODE	FINISHING	WEIGHT	Pcs / Box	PRICE PCS.
 <b>GC849150J702</b>	Satinized Silver Aluminium	2,01 gr	1000 4 x 250 (Box x pcs. each)	€ 0,975
 <b>GC849150J002</b>	Polished Gold Aluminium	2,01 gr	1000 4 x 250 (Box x pcs. each)	On request

Short link



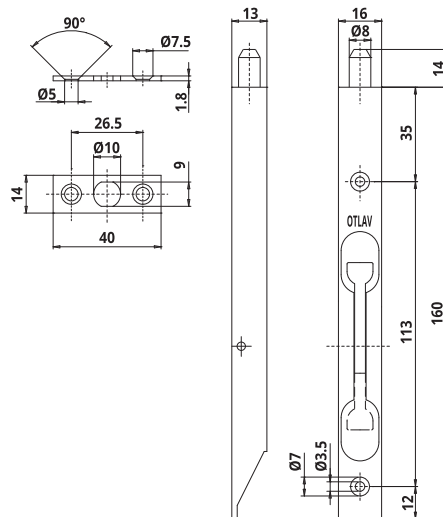
www.otlav.it - 849 Ø15

# FLUSH BOLTS



## LC 260 160

Lever steel flush bolt - Length 160 mm - Width 16



CODE	FINISHING	WEIGHT	Pcs / Box	PRICE PCS.
LC260160H002	Zinc Plated	73,55 gr	240 12 x 20 (Box x pcs. each)	€ 2,559
LC260160N008	Nickel Plated	73,55 gr	240 12 x 20 (Box x pcs. each)	€ 2,894
LC260160O002	Brass Plated	73,55 gr	240 12 x 20 (Box x pcs. each)	€ 2,977
LC260160PK02	Bronze	73,55 gr	240 12 x 20 (Box x pcs. each)	€ 3,162

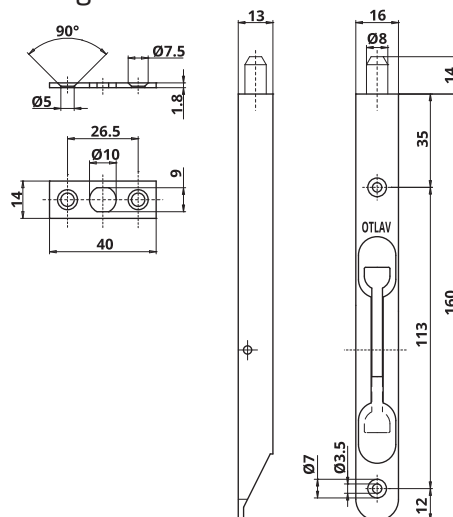
Short link



www.otlav.it - LC 260 160

## LC 260 160

Lever steel flush bolt - Length 160 mm - Width 16 - Round edge



CODE	FINISHING	WEIGHT	Pcs / Box	PRICE PCS.
LC260160H012	Zinc Plated	72,61 gr	240 12 x 20 (Box x pcs. each)	€ 2,637
LC260160N006	Nickel Plated	72,61 gr	240 12 x 20 (Box x pcs. each)	€ 4,944

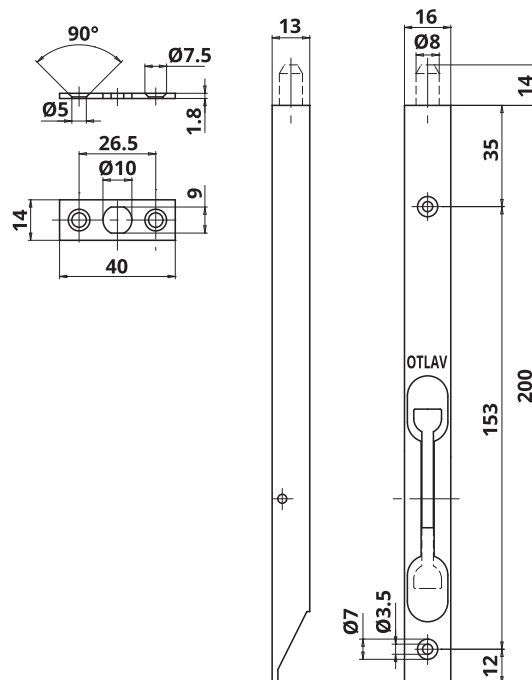
Short link



www.otlav.it - LC 260 160

# LC 260 200

Lever steel flush bolt - Length 200 mm - Width 16

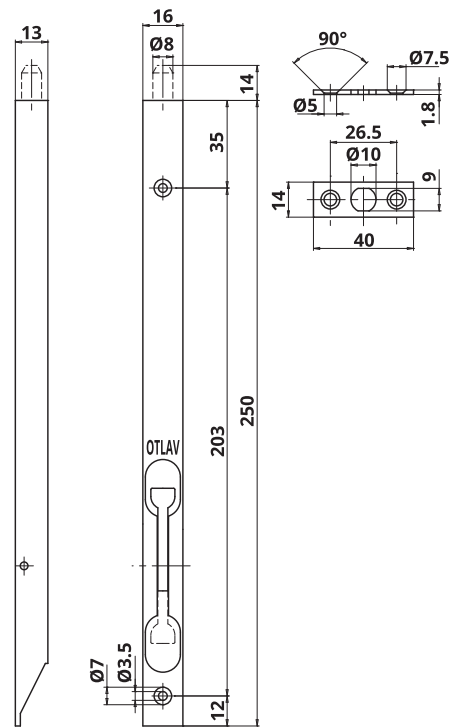


CODE	FINISHING	WEIGHT	Pcs / Box	PRICE PCS.
LC260200H002	Zinc Plated	90,85 gr	180 9 x 20(Box x pcs. each)	€ 2,74
LC260200N008	Nickel Plated	90,85 gr	180 9 x 20(Box x pcs. each)	€ 5,624
LC2602000002	Brass Plated	90,85 gr	180 9 x 20(Box x pcs. each)	€ 3,461
LC260200PK02	Bronze	90,85 gr	180 9 x 20(Box x pcs. each)	€ 3,358



## LC 260 250

Lever steel flush bolt - Length 250 mm - Width 16



CODE	FINISHING	WEIGHT	Pcs / Box	PRICE PCS.
LC260250H004	Zinc Plated	110,58 gr	180 9 x 20 (Box x pcs. each)	€ 3,08
LC260250H102	Yellow Galvanised	110,58 gr	180 9 x 20 (Box x pcs. each)	On request
LC2602500002	Brass Plated	110,58 gr	180 9 x 20 (Box x pcs. each)	€ 4,099
LC260250PK02	Bronze	110,58 gr	180 9 x 20 (Box x pcs. each)	€ 4,213

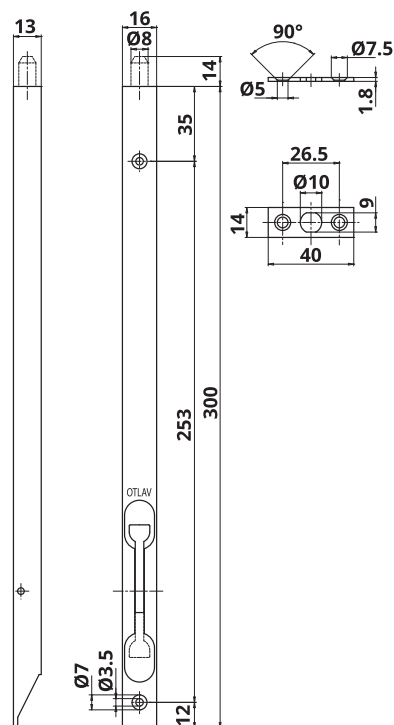
Short link



www.otlav.it - LC 260 250

**LC 260 300**

Lever steel flush bolt - Length 300 mm - Width 16



CODE	FINISHING	WEIGHT	Pcs / Box	PRICE PCS.
LC260300H002	Zinc Plated	133,4 gr	120 6 x 20(Box x pcs. each)	€ 2,431
LC260300H102	Yellow Galvanised	133,4 gr	120 6 x 20(Box x pcs. each)	On request
LC2603000002	Brass Plated	133,4 gr	120 6 x 20(Box x pcs. each)	€ 3,739

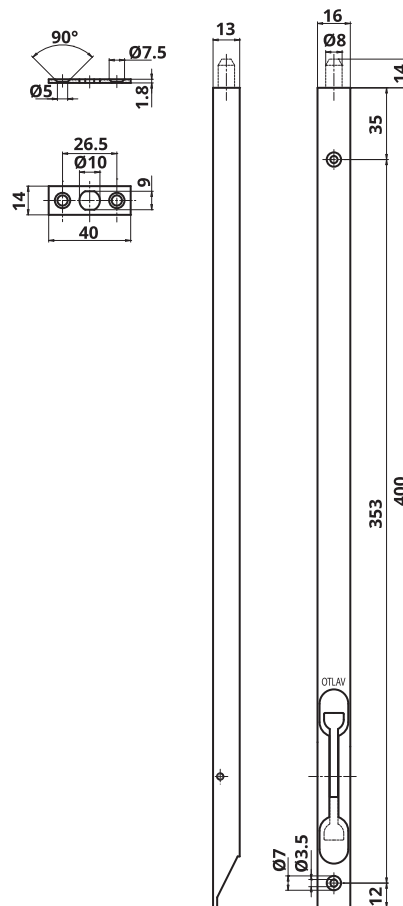
Short link



www.otlav.it - LC 260 300

## LC 260 400

Lever steel flush bolt - Length 400 mm - Width 16



CODE	FINISHING	WEIGHT	Pcs / Box	PRICE PCS.
LC260400B002	Bronze Plated	177 gr	120 6 x 20 (Box x pcs. each)	On request
LC260400H102	Yellow Galvanised	177 gr	120 6 x 20 (Box x pcs. each)	On request

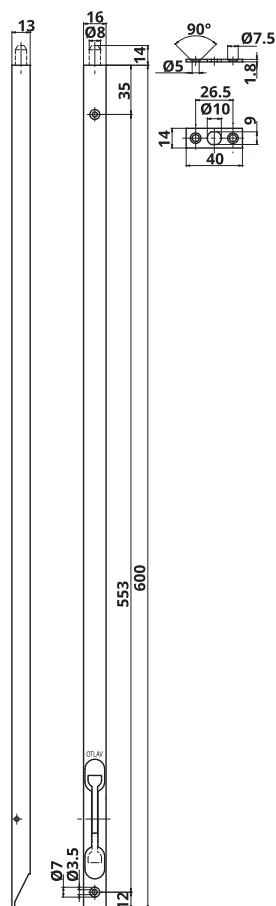
Short link



www.otlav.it - LC 260 400

# LC 260 600

Lever steel flush bolt - Length 600 mm - Width 16



CODE	FINISHING	WEIGHT	Pcs / Box	PRICE PCS.
LC2606000002	Brass Plated	259 gr	80 4 x 20(Box x pcs. each)	On request



## NP 040

3-holes plate



CODE	FINISHING	WEIGHT	Pcs / Box	PRICE PCS.
 NP040140H002	Zinc Plated	5,3 gr	2400 8 x 300 (Box x pcs. each)	€ 0,111

Short link



www.otlav.it - NP 040

## GENERAL CONDITIONS OF SALE

This document contains the general conditions of sale (hereafter 'General Conditions') of OTLAV S.p.A., VAT No. 01171050261, Registered Office in Via A. Padovan, 2, 31025 S. Lucia di Piave (TV), Italy (hereafter 'Vendor').

### 1. Subject

1.1 These General Conditions regulate all sales agreements for the Vendor's products (hereafter 'Products') to be entered into by the Vendor and each purchaser of its Products (hereafter 'Purchaser').

1.2 Waivers or amendments to these General Conditions shall be valid only if expressly accepted in writing by the Vendor, and shall refer only to the specific sales in question.

Therefore, all provisions endorsed on the purchase order or other Purchaser's document, be they in contrast or in addition to these General Conditions, shall be considered null and void unless they are expressly accepted in writing by the Vendor.

### 2. Conclusion of Sales Agreement

2.1 The Vendor's offer is to be considered valid for a period of thirty (30) days from the date it is made, unless otherwise indicated in the offer. Therefore, the Vendor shall have no obligation to consider any purchase orders received after the end of such term.

2.2 The order transmitted by the Purchaser to the Vendor on the basis of the offer shall contain accurate identification of the Products, the quantity required and any other element essential to conclude the sales agreement.

2.3 The sales agreement shall be considered concluded when the Purchaser receives written order confirmation from the Vendor. Such written confirmation can also be forwarded by e-mail or fax. Alternatively, the Vendor may exercise its discretion and accept the Purchaser's order without sending a formal order confirmation. In no way can express or implicit acceptance of an order by the Vendor be interpreted as acceptance of the Purchaser's general conditions, nor as waiving the application of these General Conditions of Sale.

2.4 Agents and brokers do not commit the Vendor in any way and any orders received from said agents and brokers shall be considered subject to a written order confirmation from the Vendor.

2.5 Following acceptance of an order by the Vendor, the Purchaser may not cancel such order without the Vendor's written consent, which may be subject to a refund of all costs incurred by the Vendor. The Vendor shall have the right to receive damages in the event of unauthorised cancellation of orders by the Purchaser.

### 3. Products

3.1 Information about Products contained in catalogues, price lists, brochures, websites or other similar instruments, as well as samples, are purely indicative/illustrative. Product conformity shall be assessed exclusively by comparison with the characteristics mentioned in the offer.

3.2 The Vendor reserves the right to modify the Products and technical/sales documentation as it sees fit, without altering the essential features.

3.3 Any requests from the Purchaser for modification after the order has been sent must be made in writing and will be charged for separately.

3.4 The Vendor is not liable for any errors in processing orders, if the Purchaser provides incomplete, missing or wrong indications of the Article Code.

3.5 In the case of bespoke products made specifically for the Purchaser (hereafter 'Special Products') the Vendor reserves the right to prepare a special technical drawing that describes the dimensions and technical characteristics of the product in question. Such document shall be signed and sealed for acceptance by the Purchaser. Acceptance of a technical drawing nulls and replaces all other technical descriptions provided at the preliminary or offer stage. The Vendor cannot be held responsible for errors or omissions deriving from incorrect or incomplete information transmitted by the Purchaser. It is the Purchaser's task to check the required technical characteristics by examining the working project transmitted for its approval before production begins.

3.6 With regard to Special Products, the Vendor may charge the Purchaser with the cost of preparing equipment for the manufacture of such articles. By paying the cost of the equipment the Purchaser acquires the right for the Vendor to use such equipment exclusively for the manufacture of the Special Products for the Purchaser. However, the Vendor remains the owner of the equipment. Should the Purchaser fail to issue orders for a year or a year has gone by from the last production batch with no further orders issued for the Special Products in question, the Purchaser shall lose the above-mentioned exclusive right and at the same time the Vendor shall be free to use the equipment for any reason whatsoever, including scrapping due to lack of use.

### 4. Retention of Title

4.1 The parties expressly agree that the Vendor shall maintain full ownership of the Products sold until the sum due has been fully settled. Therefore, the Purchaser acquires ownership only after paying the entire price agreed, as well as ancillary expenses, but assumes all risks after taking delivery, as per art. 1523 Italian Civil Code.

4.2 Before the entire price agreed has been paid, the Purchaser cannot let the Products be confiscated or seized without declaring the Vendor's ownership (immediately informing the latter) subject to the operation of the acceleration clause, if just one of the above-mentioned obligations is breached.

4.3 Until full payment of the price the Vendor may send its inspectors to examine the Products in the place where they are stored.

4.4 Where required, the Purchaser shall cooperate with the Vendor in fulfilling the formalities needed to ensure the effectiveness of this retention of title clause in the Purchaser's country.

### 5. Prices

5.1 Sales prices are calculated according to the supply terms agreed from time to time and are net of any VAT; they may also include any other charges and costs (e.g. transport costs) if indicated on the invoice.

Prices are calculated in Euro.

5.2 If production costs increase in the period between order confirmation or receipt of payment in the case of advance payment, and the scheduled date of delivery of the Products due to factors beyond the control of the Vendor, such as increases in the cost of raw materials, electricity and labour costs (e.g. collective wage agreements) or in the cost of other production factors, the price given in the offer may be reviewed at any time to take such variations into account. Subject to agreements relating to Special Products, either of the Parties may withdraw from the agreement if the Purchaser does not accept the price variations proposed by the Vendor, and the Purchaser shall have no right to damages, refunds or indemnities.

5.3 The Vendor reserves the right to change the prices in the price list at any time, with immediate effect and without notice. Variations to the price lists shall be applied to agreements entered into after the variation comes into effect.

### 6. Terms of Payment

6.1 Terms of payment are indicated in every order confirmation issued by the Vendor and sent to the Purchaser for each individual sales agreement.

6.2 Unless otherwise agreed, all payments shall be made to the Vendor by bank transfer to the bank indicated by the Vendor. Payments made to collection agents must be duly authorised.

6.3 Where payment by letter of credit has been agreed, such letter of credit shall be issued by a leading bank that adopts the Uniform Customs and Practice for Documentary Credit issued by the International Chamber of Commerce (ICC) in effect on the date the sales agreement is concluded.

6.4 Failure to pay all or part of the sales price on any established due date will give the Vendor the right to apply interest, without the need for formal notice, at the rate applied by the ECB to main refinancing operations, increased by eight percentage points, pursuant to art.4 Italian Legislative Decree No. 231 of 9 October 2002, which receives CE Directive 35/2000, until the date of settlement, subject to any other remedy in the Vendor's favour included in these General Conditions and/or law.

6.5 Failure to settle any sum within 14 (fourteen) days of the established due date gives the Vendor the right to suspend deliveries, also for different existing agreements and to terminate the sales agreement immediately, subject to the right to obtain damages, including the refund of legal expenses connected to credit recovery operations.

6.6 Payments are considered settled when they are actually credited to the Vendor's current account.

### 7. Product Delivery and Documentation

7.1 Products are delivered to the Purchaser according to the delivery terms agreed from time to time.

7.2 The Vendor shall provide the Purchaser with a Declaration of Performance (DOP) for the Products (where required under the terms of EU Regulation 305/11 and any later amendments and integrations and/or according to other statutory provisions) by publication on its website. A copy on paper may be sent to the Purchaser if requested in writing.

7.3 The Vendor shall provide packing according to the normal method in use.

7.4 As delivery terms agreed between the Parties are indicative, any delays cannot justify claims for refunds or order cancellation by the Purchaser. Any penalty clauses for delayed delivery shall have no effect on the Vendor. In the event of deferred payment, delivery terms shall begin from the date of order confirmation; in the event of payment in advance or by letter of credit, delivery terms shall begin from the date of payment or notice from the bank of the opening of a letter of credit in compliance with the Vendor's requirements. The Vendor reserves the right to make partial deliveries as and when the individual parts are ready for dispatch.

In any case, the Vendor shall have no liability for delayed deliveries due to force majeure, as per art. 10 hereof.

7.5 The Purchaser may apply to the Vendor in writing for collection and transport to be carried out by a courier or shipping agent on its behalf. Should the Vendor accept, the courier or shipping agent shall be considered directly appointed by the Purchaser, who shall be charged with all the risks and expenses involved.

7.6 From consignment of the Products to the first courier, notwithstanding the agreed delivery terms all the risks relating to the Products are transferred to the Purchaser, who shall also be charged with the costs of storage, custody and insurance, or whatever else.

7.7 For Special Products, unless otherwise agreed, the Vendor reserves the right to deliver goods 10% above or below the quantities ordered, due to technical and production needs.

### 8. Complaints on Delivery and Returns

8.1 The Purchaser shall carefully inspect the Products delivered as soon as possible after receiving them. Any complaints regarding packing, quantity or faulty parts, and in general all complaints regarding defects evident on delivery, shall be sent to the Vendor in writing (by registered letter with return receipt,

PEC, fax or email) no later than eight (8) days from receipt of the Products. With the Vendor's prior written authorisation the parts deemed to be faulty shall be returned in their original packing and the cost of transport and insurance charged to the Purchaser. The Purchaser shall specify the complaint in a separate note which indicates the date and number of the Vendor's invoice to which the returned parts refer. Failure to notify defects promptly and to return the faulty part (when authorised), shall cause the Purchaser to lose the right to claim for the above-mentioned defects.

8.2 Returned goods shall reach the Vendor properly packed and accompanied by a document which clearly states the details of the relative invoice for each individual product. Any returns the Vendor finds to have been tampered with or wrongly used will not be replaced or refunded and will be sent back to the Purchaser, who will be charged any expenses and risks. Returns of Special Products, discontinued articles or goods with defects for which the Vendor is not liable will not be accepted.

## 9. Guarantee

9.1 The Vendor guarantees that the Products sold have the essential qualities for the use to which they will be put, according to the Product technical specifications and order confirmation, and comply with Italian law as well as the applicable EU Standards and/or any other standards specified in the Vendor's offer. With reference to Products for which the Vendor provides a Declaration of Performance (DOP) pursuant to EU Regulation 305/2011, the Vendor guarantees the Product's conformity to the contents of such Declaration.

The above-mentioned guarantee covers all defects that appear in the Products as a result of normal use and that derive exclusively from defects in materials or workmanship extant before delivery.

The guarantee is issued to the Purchaser only and cannot be extended to successive purchasers of the Products, or third parties in general.

9.2 For the guarantee issued by the Vendor to be valid, the Purchaser shall scrupulously observe the indications in the installation instructions, if applicable, and in the Declaration of Performance (DOP) provided by the Vendor. The guarantee does not apply if the Purchaser is not up to date with payments, if it has not used the Products according to the above-mentioned instructions, if it has made alterations or tampered with the Products or used them for a purpose different from their intended use, or in all possible ways that cause damage or faulty operation due to the fault or negligence of the Purchaser, its employees and auxiliary workers or third parties in general, including incorrect installation or maintenance.

9.3 The Vendor's guarantee does not cover any damage due to wear caused by installation and use that does not comply with the terms of the Declaration of Performance (DOP) or the installation instructions. Neither does the Vendor's guarantee cover any damage due to incorrect storage of Products held entirely or partly in a warehouse by the Purchaser prior to installation, use or resale to end customers.

9.4 Subject to art.8 of these General Conditions (Complaints on Delivery and Returns), the Purchaser shall report any defects in the Products to the Vendor in writing within 8 (eight) days of their discovery. Such report shall be forwarded by fax or e-mail, followed by a registered letter with return receipt. Any report of defects shall specify precisely the defect found and the Products involved. Any other form of report is excluded, particularly those by word of mouth.

Failure to provide the above promptly will deprive the Purchaser of the right to invoke the Vendor's guarantee according to these General Conditions and/or law.

With prior authorisation, the faulty material shall be sent by the Purchaser to the Vendor's facilities for the necessary checks. Transport costs for authorised returns shall be paid by the Purchaser. The faulty parts will become the Vendor's property after replacement.

9.5 If the Vendor's inspection confirms the reported defect, the Vendor may exercise its incontestable judgement to replace the faulty Product or eliminate the defects. Faulty Products shall be replaced ex the Vendor's works.

9.6 The guarantee granted under the terms of this article 9 is the only, exclusive guarantee provided to the Purchaser and replaces every other form whatsoever of expressed or implicit guarantee, whether provided for by law or trade customs. The remedies granted to the Purchaser on the basis of these General Conditions shall be considered the only, exclusive remedies.

In addition, the Vendor's contractual and/or non-contractual liability for direct or indirect damage deriving from the Products supplied, or from any breach of contract by the Vendor, is also expressly excluded, except in the case of willful misconduct or gross negligence.

The Purchaser shall indemnify and hold harmless the Vendor from and against damage caused by elements of the Product supplied by the Purchaser (including, but not limited to, components, plans, etc.).

9.7 This agreement also expressly excludes the Purchaser's right to suspend or delay payments in the event of complaints; neither can the Purchaser independently reduce prices and/or offset sums owed by it for Product prices with amounts the Purchaser deems due to it for any reason.

## 10. Force Majeure

10.1 The Vendor shall not be liable to the Purchaser for breach of any clause in these General Conditions and/or sales agreement, if fulfilment is made impossible or excessively costly due to unpredicted events beyond its control. Such events include, by way of example but not limited to, the following: fires, floods, earthquakes, explosions, accidents, wars, uprisings, insurrections, sabotage, epidemics or pandemics, restrictions due to quarantine, strikes, labour shortages, transport stops, lack of electricity, raw materials, components

or machinery for the manufacture of the Products, natural events, acts by any public authority, including foreign, and significant increases in production costs.

10.2 If a force majeure impedes or delays delivery of the Products to the Purchaser, or the fulfilment of any one of the Vendor's other obligations for a period exceeding six (6) consecutive months, the Vendor shall have the right to terminate the sales agreement with no liability of any kind towards the Purchaser.

## 11. Distinguishing Marks on Products

11.1 The Purchaser undertakes not to delete or remove the Vendor's signs and other distinguishing or identification marks on the Products and/or on the Vendor's documents.

11.2 It is understood that neither these General Conditions nor individual sales agreements grant the Purchaser any rights whatsoever (e.g. licenses or other) to the Vendor's distinguishing marks. Any use by the Purchaser of the Vendor's distinguishing marks is prohibited, unless the Vendor authorises such use in writing.

## 12. Termination of Sales Agreement

The Vendor has the right to immediately terminate the sales agreement entered into on the basis of these General Conditions, and in the cases expressly provided for in these Conditions and applicable regulations, if the Purchaser's economic situation changes in such a way as to compromise its ability to meet its obligations or if the Purchaser is, for example, put into liquidation, insolvency or subjected to other bankruptcy procedures.

In such case, the Vendor shall have the right to require full settlement of any sums still due from the Purchaser.

## 13. Industrial and Intellectual Property Rights

13.1 Unless the Parties have agreed otherwise in writing, the Vendor is and remains the exclusive owner of all industrial and intellectual property rights connected with the Products supplied, including their single parts, documentation and material prepared in executing the agreement (e.g. drawings, graphs, plans, samples, files, and other material developed to provide design services).

13.2 In any case, the Vendor shall keep the only and exclusive ownership of every and any pre-existing industrial property developed by the Vendor before entering into the agreement with the Purchaser, as well as all the industrial property the Vendor may develop at any time later without using the Purchaser's confidential information or industrial property.

13.3 Each party shall protect the other in the event of breaches of third party's industrial and intellectual property rights, on the understanding that the party responsible for the breach is immediately informed in writing by the other party. If final judgement finds that due to the Vendor's fault the Product breaches the rights of third parties, the Vendor may choose whether to replace, alter or withdraw the Product with no further liability.

## 14. Confidentiality

Any information provided by the Vendor to the Purchaser with reference to a sales agreement or potential sale shall be considered at all times strictly confidential, whatever the way or means in which the information is provided. The Purchaser may use such information for the sole purpose of assessing or fulfilling a sales agreement with the Vendor, with the exclusion of any other purpose. The Purchaser may not reveal or disclose any such information to third parties, with the exception of a limited number of its employees or consultants who necessarily need to have it.

## 15. Severability

If any one of the clauses in these General Conditions is considered invalid or ineffective, such invalidity or ineffectiveness shall not compromise the validity of the other clauses, which shall continue to be valid.

## 16. Incoterms

Unless otherwise agreed in writing, any delivery terms agreed between the Vendor and Purchaser shall be interpreted pursuant to the International Chamber of Commerce (ICC) INCOTERMS in force on the date of the sales agreement.

## 17. Applicable law

These General Conditions and any sales agreement entered into in compliance with them are regulated by Italian law.

## 18. Jurisdiction and Competent Court

18.1 Any controversy arising from these General Conditions and/or from sales agreements entered into pursuant to them shall fall under Italian jurisdiction and the Court of Treviso shall have exclusive competence.

18.2 Waiving art.18.1, it is agreed that as an alternative to the above, and at its sole discretion, the Vendor shall have the right to sue the Purchaser in the competent Court in the latter's jurisdiction.





**OTLAV S.p.A**

Via Angelo Padovan 2

31025 Santa Lucia di Piave (TV) - Italy

tel. +39 0438 4611

[www.otlav.it](http://www.otlav.it) - [info@otlav.it](mailto:info@otlav.it)